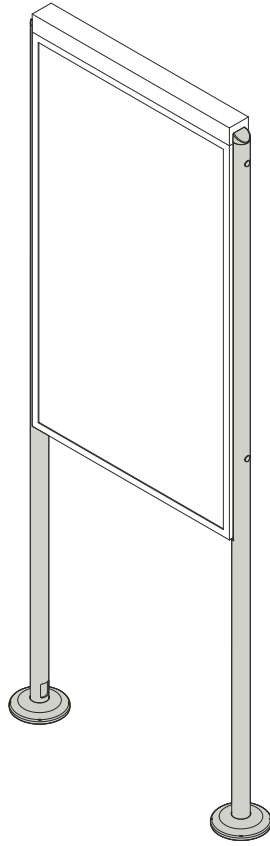


---

# INSTALLATION INSTRUCTIONS

---



---

**Bolt-Down Stand**

---

## DISCLAIMER

Legrand | AV and its affiliated corporations and subsidiaries (collectively "Legrand | AV"), intend to make this manual accurate and complete. However, Legrand | AV makes no claim that the information contained herein covers all details, conditions or variations, nor does it provide for every possible contingency in connection with the installation or use of this product. The information contained in this document is subject to change without notice or obligation of any kind. Legrand | AV makes no representation of warranty, expressed or implied, regarding the information contained herein. Legrand | AV assumes no responsibility for accuracy, completeness or sufficiency of the information contained in this document.

Chief® is a registered trademark of Legrand AV Inc.

## DEFINITIONS

**MOUNTING SYSTEM:** A MOUNTING SYSTEM is the primary Chief product to which an accessory and/or component is attached.

**ACCESSORY:** AN ACCESSORY is the secondary Chief product which is attached to a primary Chief product, and may have a component attached or setting on it.

**COMPONENT:** A COMPONENT is an audiovisual item designed to be attached or resting on an accessory or mounting system such as a video camera, CPU, screen, display, projector, etc.



**WARNING:** A WARNING alerts you to the possibility of serious injury or death if you do not follow the instructions.



**CAUTION:** A CAUTION alerts you to the possibility of damage or destruction of equipment if you do not follow the corresponding instructions.



## IMPORTANT SAFETY INSTRUCTIONS



**WARNING:** Failure to read, thoroughly understand, and follow all instructions can result in serious personal injury, damage to equipment, or voiding of factory warranty! It is the installer's responsibility to make sure all mounting systems are properly assembled and installed using the instructions provided.



**WARNING:** Failure to provide adequate structural strength for this mounting system can result in serious personal injury or damage to equipment! It is the installer's responsibility to make sure the structure to which this mounting system is attached can support five times the combined weight of all equipment. Reinforce the structure as required before installing the mounting system.



**WARNING:** Exceeding the weight capacity can result in serious personal injury or damage to equipment! It is the installer's responsibility to make sure the combined weight of all components attached to the mounting system does not exceed 80 lbs (36.3 kg) for the OMNDBF46 or 100 lbs (45.3 kg) for the OMNDBF55.



**WARNING:** Use this mounting system only for its intended use as described in these instructions. Do not use attachments not recommended by the manufacturer.



**WARNING:** Never operate this mounting system if it is damaged. Return the mounting system to a service center for examination and repair.



**WARNING:** Do not use this mounting system outdoors.

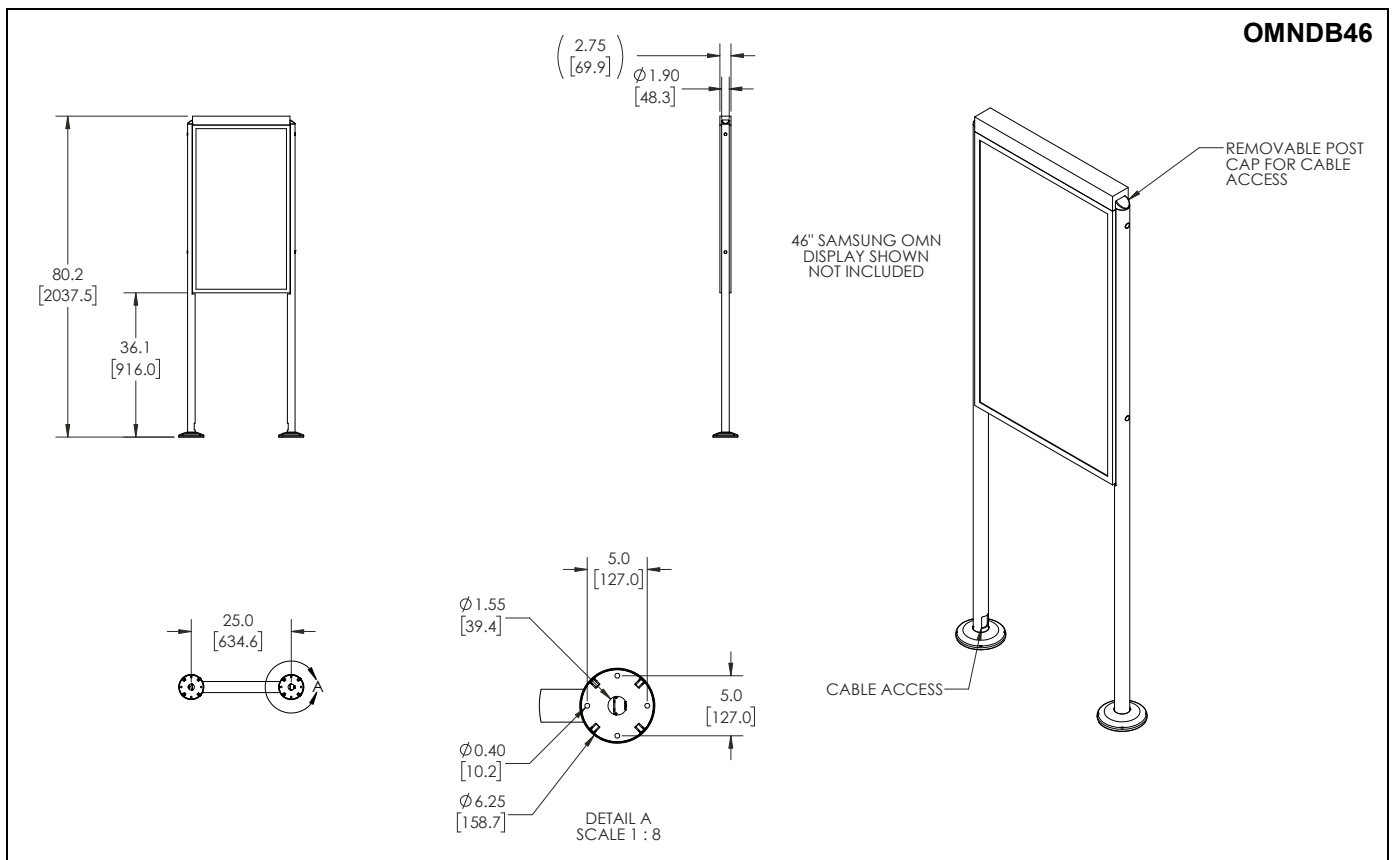
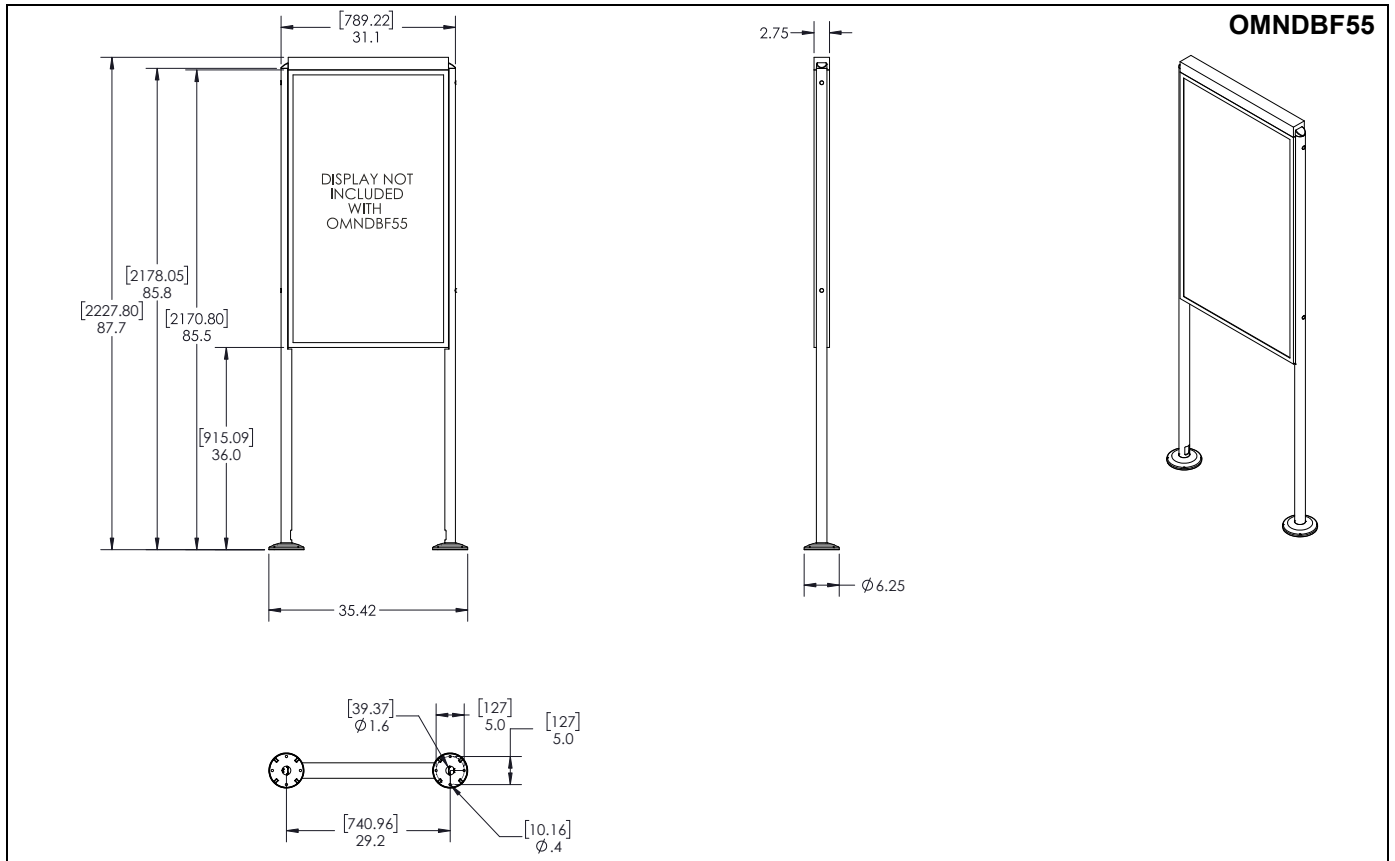


**WARNING:** Do NOT install OMNDBF46/55 mounts to any surface other than concrete or wood!

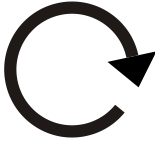

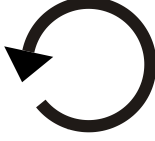


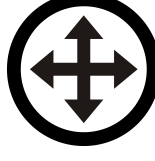






- Concrete flooring must be at least 4" in thickness and NOT be covered with any other type of flooring material. Concrete anchors must be installed directly into concrete surface.
- Wood flooring must be at least 1 1/2" in total depth which may include the subfloor.

**--SAVE THESE INSTRUCTIONS--**

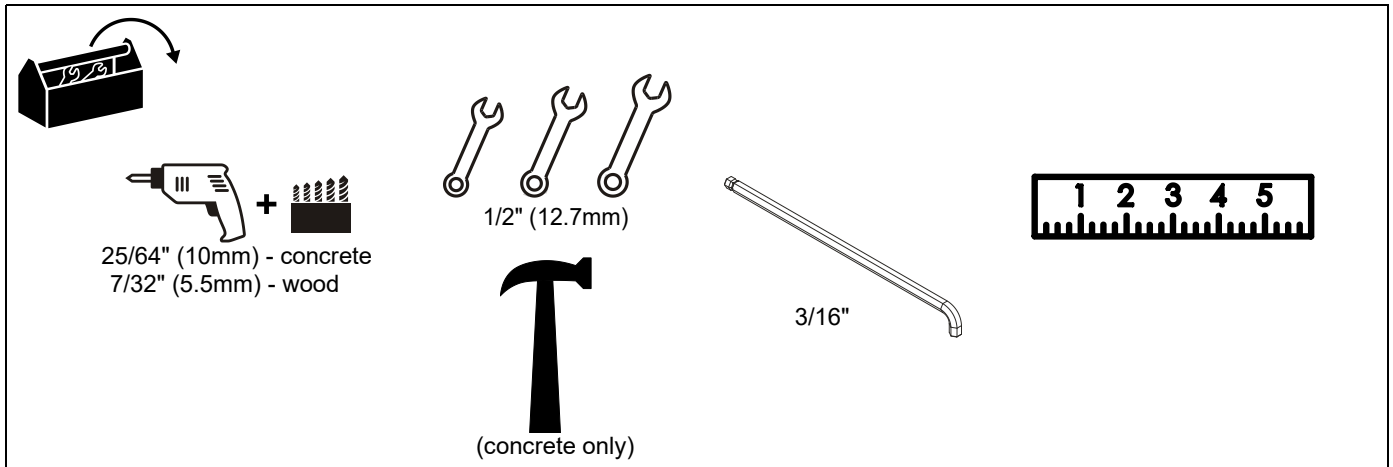
**DIMENSIONS**



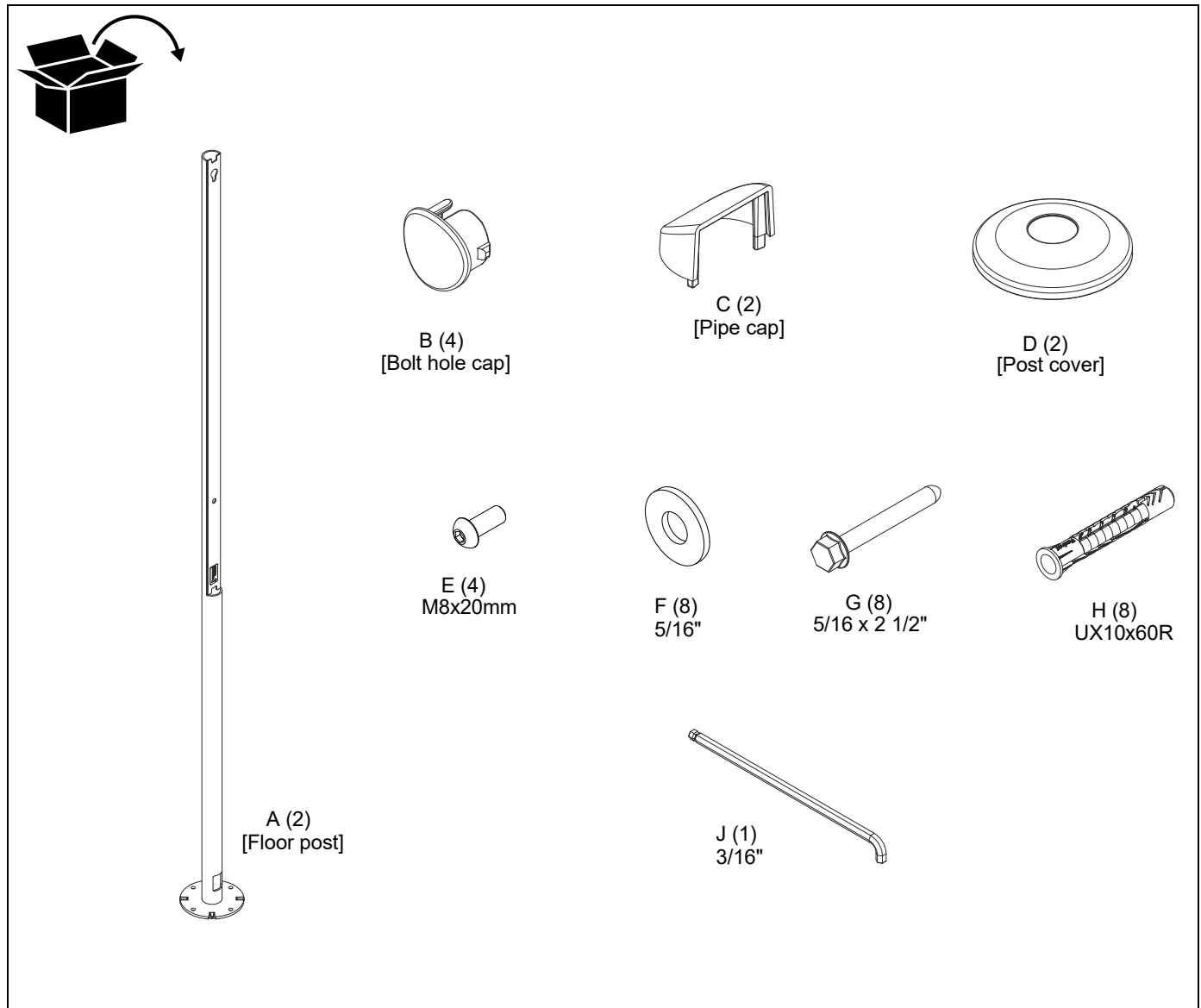
## LEGEND

	<b>Tighten Fastener</b> Apretar elemento de fijación Befestigungsteil festziehen Apertar fixador Serrare il fissaggio Bevestiging vastdraaien Serrez les fixations		<b>Pencil Mark</b> Marcar con lápiz Stiftmarkierung Marcar com lápis Segno a matita Potloodmerkteken Marquage au crayon
	<b>Loosen Fastener</b> Aflojar elemento de fijación Befestigungsteil lösen Desapertar fixador Allentare il fissaggio Bevestiging losdraaien Desserrez les fixations		<b>Drill Hole</b> Perforar Bohrloch Fazer furo Praticare un foro Gat boren Percez un trou
	<b>Phillips Screwdriver</b> Destornillador Phillips Kreuzschlitzschraubendreher Chave de fendas Phillips Cacciavite a stella Kruiskopschroevendraaier Tournevis à pointe cruciforme		<b>Adjust</b> Ajustar Einstellen Ajustar Regolare Afstellen Ajuster
	<b>Open-Ended Wrench</b> Llave de boca Gabelschlüssel Chave de bocas Chiave a punte aperte Steeksleutel Clé à fourche		<b>Remove</b> Quitar Entfernen Remover Rimuovere Verwijderen Retirez
	<b>By Hand</b> A mano Von Hand Com a mão A mano Met de hand À la main		<b>Optional</b> Opcional Optional Opcional Opzionale Optie En option
	<b>Hex-Head Wrench</b> Llave de cabeza hexagonal Sechskantschlüssel Chave de cabeça sextavada Chiave esagonale Zeskantsleutel Clé à tête hexagonale		<b>Security Wrench</b> Llave de seguridad Sicherheitsschlüssel Chave de segurança Chiave di sicurezza Veiligheidssleutel Clé de sécurité

**TOOLS REQUIRED FOR INSTALLATION**



**PARTS**



### Assembly And Installation

- Slide two post covers (D) onto two floor posts (A). (See Figure 1)

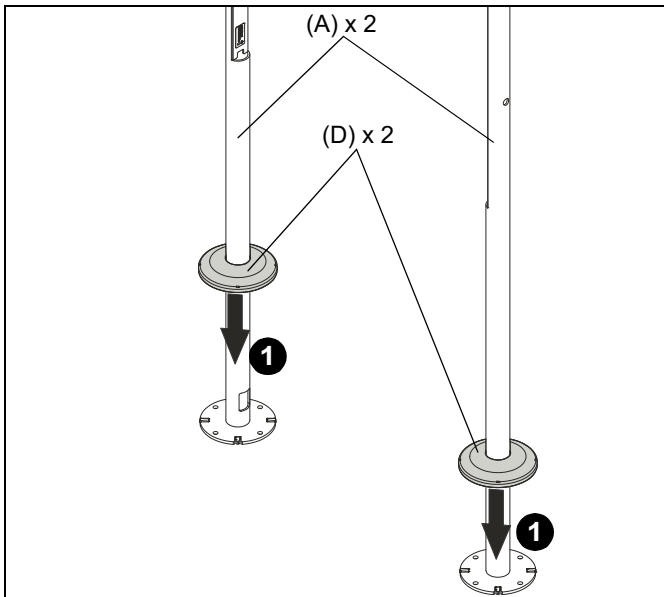


Figure 1

- Use four M8x20mm button head cap screws (E) to attach floor posts (A) to display. (See Figure 2)

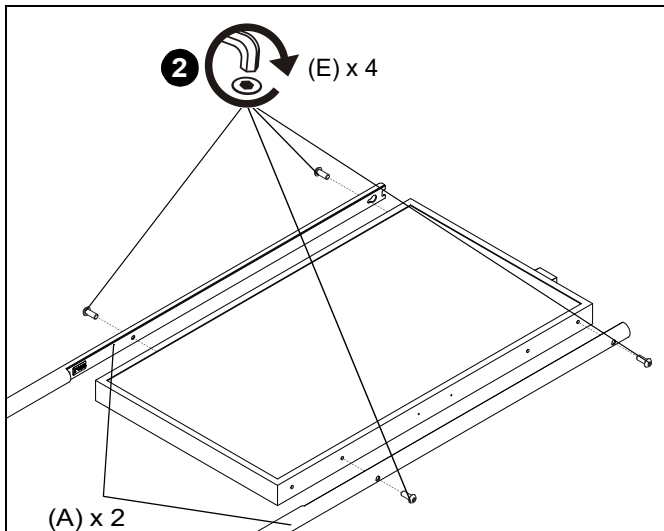


Figure 2

- Using floor post bases (A) as templates, mark four holes at outside hole locations for each column. (See Figure 3)



**WARNING:** Do NOT install OMNDBF46/55 mounts to any surface other than concrete or wood! Concrete flooring must be at least 4" in thickness and NOT be covered with any other type of flooring material. Concrete anchors must be installed directly into concrete surface. Wood flooring must be at least 1 1/2" in depth which may include the subfloor.

**IMPORTANT ! :** Make sure columns will be installed far enough away from any walls so that displays may be installed.

- Using a 25/64" (10mm) (**CONCRETE**) or a 7/32" (5.5mm) (**WOOD**) drill bit, drill a hole 3 1/2" in depth at each marked location. (See Figure 3) and (See Figure 4)
- Blow each hole clean of any debris with a large air hose or compressed air in a can. (See Figure 3) and (See Figure 4)
- (CONCRETE ONLY)** Use a hammer to install concrete anchors (H) into the drilled holes. (See Figure 3)
- Place each floor post base (A) on top of installed anchors (H) or drilled holes making sure holes on plate are aligned with holes. (See Figure 3) and (See Figure 4)
- Install four 5/16 x 2 1/2" hex head cap screws (G) through 5/16" washers (F) and into four anchors (H) or drilled holes to secure each column base to floor. (See Figure 3) and (See Figure 4)
- Tighten each anchor by turning the head three to four turns past finger tight. (See Figure 4)

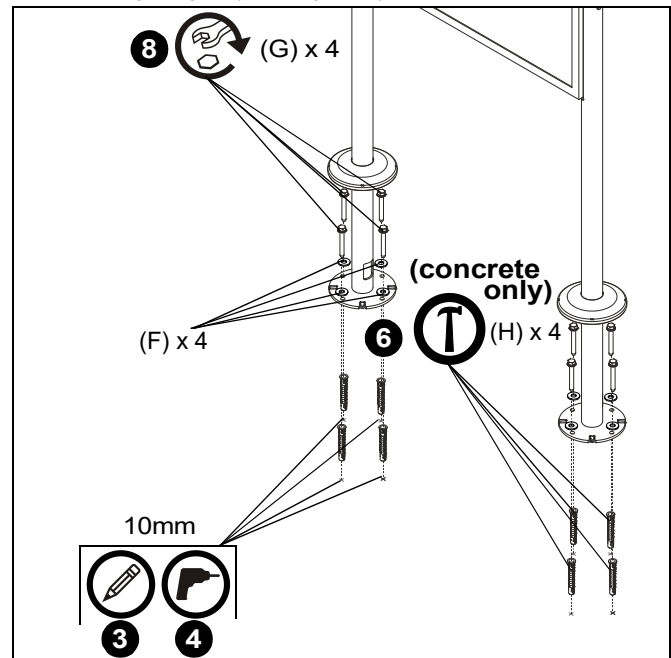


Figure 3

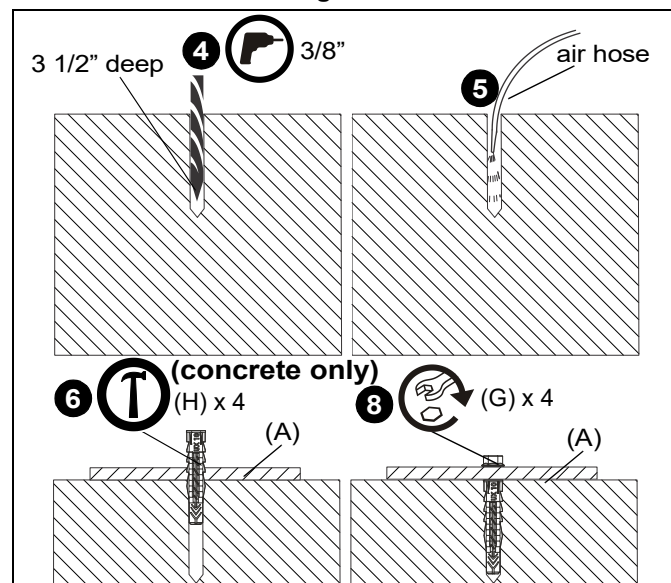
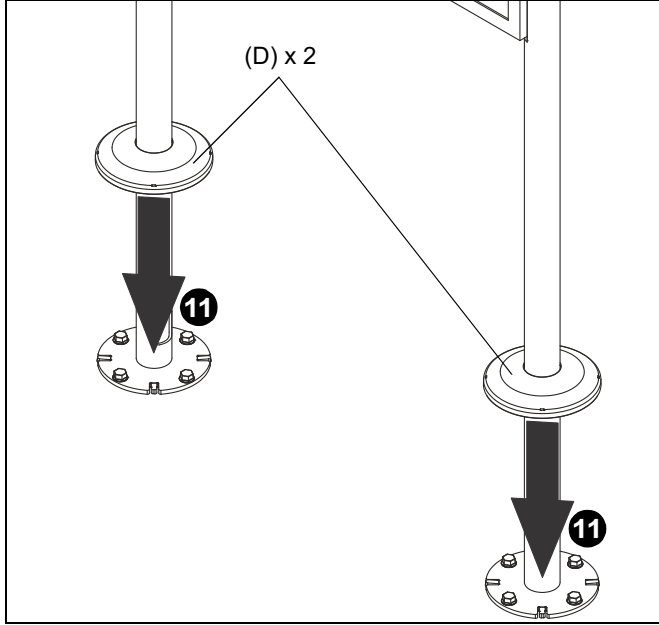


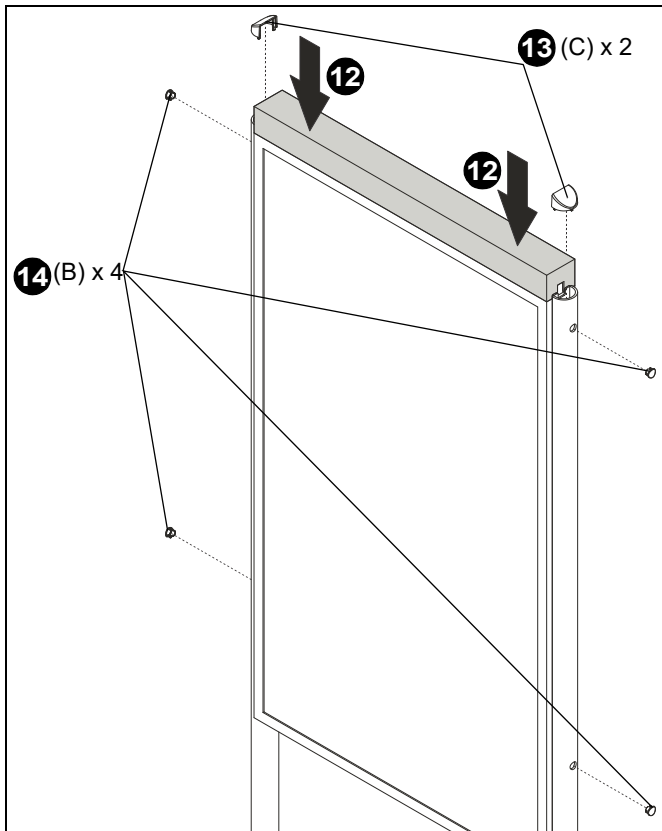
Figure 4

10. Route cables as desired. See **Cable Management Section** for details.
11. Snap post covers (D) over floor post bases. (See Figure 5)



**Figure 5**

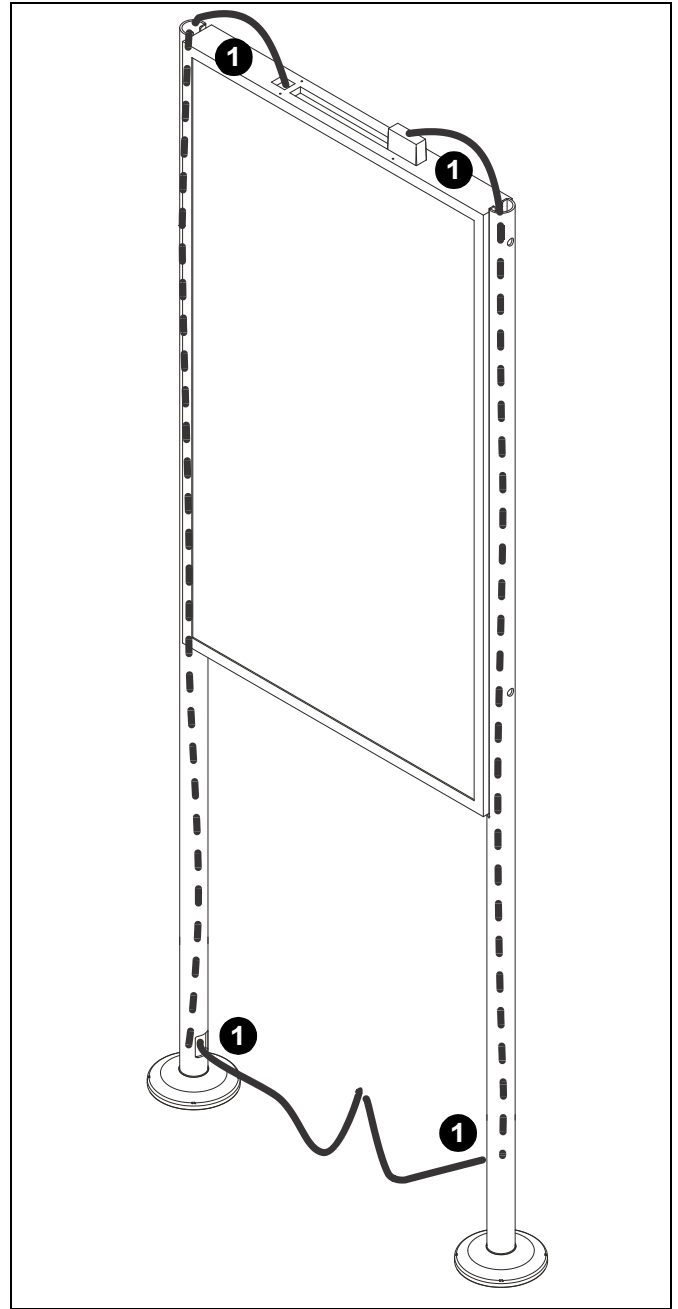
12. Install top cover (included with television) onto display. (See Figure 6)
13. Snap two pipe caps (C) into side covers. (See Figure 6)
14. Snap four bolt hole caps (B) into holes on side covers. (See Figure 6)



**Figure 6**

**Cable Management**

1. Route cables through floor posts (A) as desired. (See Figure 7)



**Figure 7**



A brand of  **legrand**

8800-003156 Rev02  
©2019 Legrand | AV  
[www.legrandav.com](http://www.legrandav.com)  
11/19

<b>USA/International</b>	<b>A</b> 6436 City West Parkway, Eden Prairie, MN 55344
	<b>P</b> 800.582.6480 / 952.225.6000
	<b>F</b> 877.894.6918 / 952.894.6918
<b>Europe</b>	<b>A</b> Franklinstraat 14, 6003 DK Weert, Netherlands
	<b>P</b> +31 (0) 495 580 852
	<b>F</b> +31 (0) 495 580 845
<b>Asia Pacific</b>	<b>A</b> Office No. 918 on 9/F, Shatin Galleria 18-24 Shan Mei Street Fotan, Shatin, Hong Kong
	<b>P</b> 852 2145 4099
	<b>F</b> 852 2145 4477

