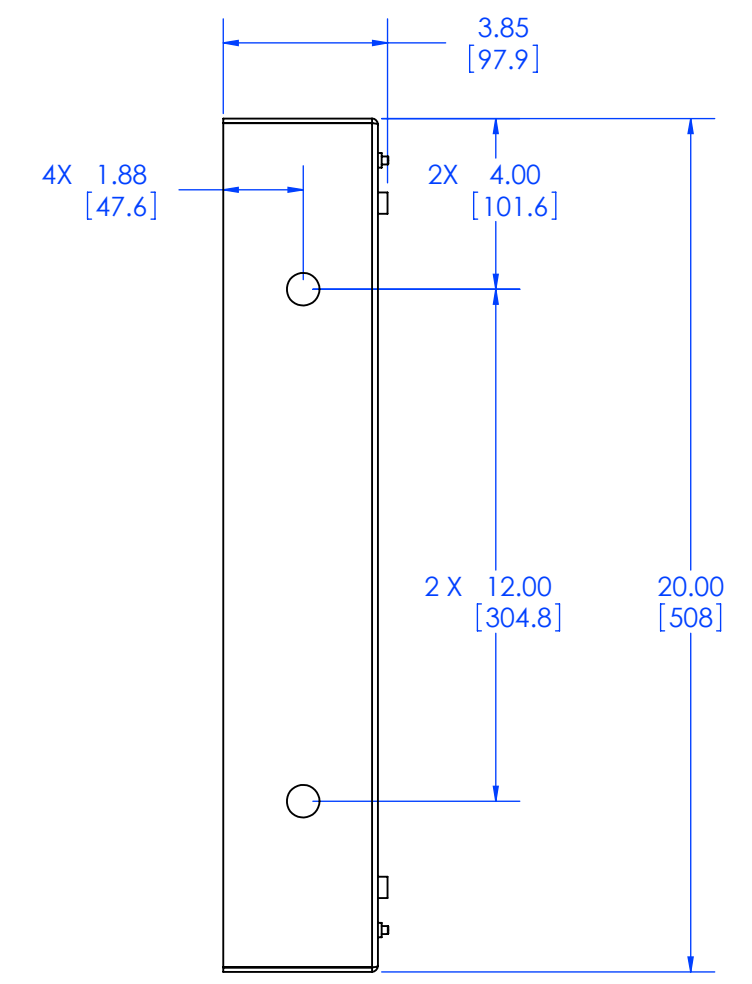
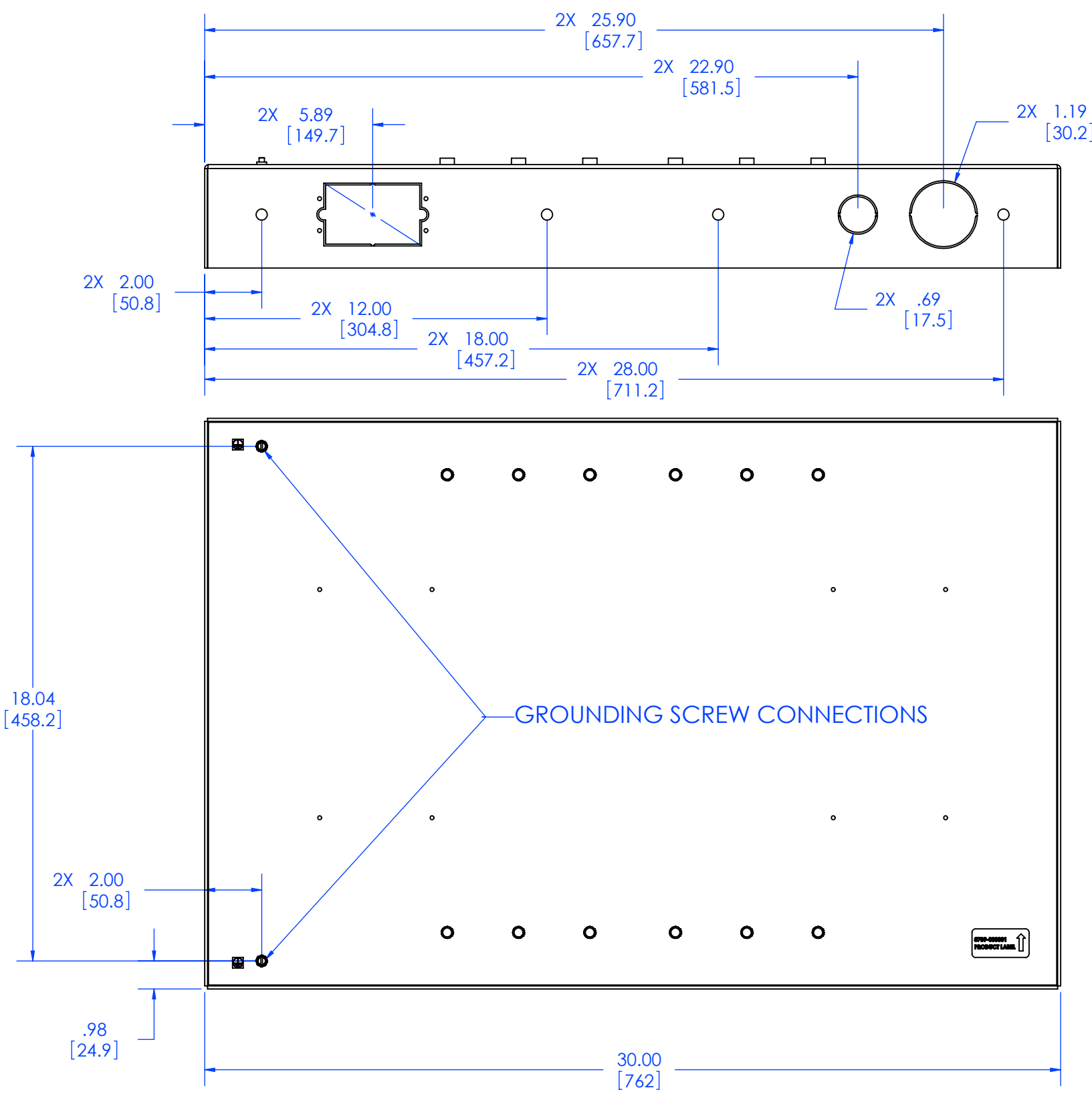


**ELECTRICAL CUTOUT  
DESIGNED TO FIT A SINGLE GANG  
RACO 590, STEEL CITY CY 1/2 OR  
SIMILAR STYLE ELECTRICAL BOX**



**THE INFORMATION AND DESIGNS CONTAINED IN THIS DRAWING ARE CONFIDENTIAL AND THE PROPRIETARY PROPERTY OF MILESTONE AV TECHNOLOGIES NEITHER THIS DESIGN NOR ANY INFORMATION CONTAINED IN THIS DRAWING MAY BE REPRODUCED OR DISCLOSED TO OTHERS WITHOUT THE EXPRESS WRITTEN CONSENT OF MILESTONE AV TECHNOLOGIES.**

CAD GENERATED DRAWING, DO NOT MANUALLY UPDATE.			<b>CHIEF</b> 6436 CITY WEST PKWY EDEN PRAIRIE MN, 55344 PHONE: 866-977-3901 FAX: 877-894-6918
DRAWN BY	MM	4/21/2015	
ENG APPROVAL			DESCRIPTION <b>In-Wall Swing Arm Accessory - Large</b>
MFG APPROVAL			MODEL NO. <b>PAC501</b>
QA APPROVAL			SIZE DWG. NO. <b>B TECH-000690</b>
SHEET 1 OF 1			SCALE <b>1:4</b>
			REV. <b>00</b>