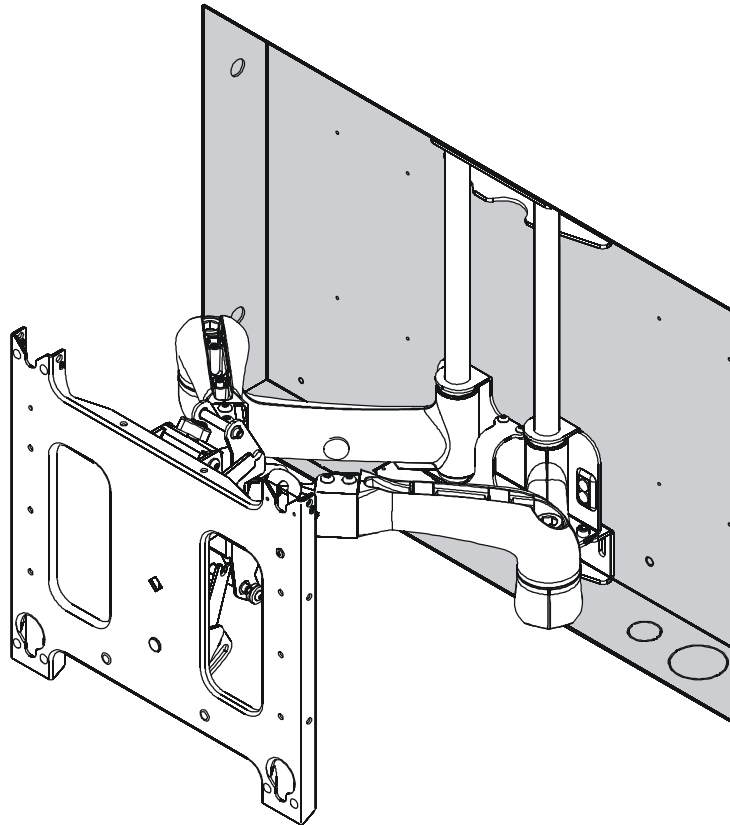


---

# INSTALLATION INSTRUCTIONS

---



---

## IN-WALL ENCLOSURE

---

**Touchboards**

205 Westwood Ave, Long Branch, NJ 07740

Phone: 866-94 BOARDS (26273) / (732)-222-1511

Fax: (732)-222-7088 | E-mail: [sales@touchboards.com](mailto:sales@touchboards.com)

---

 **CHIEF**<sup>®</sup>

Our Mounts. Your Vision.

**PAC501**

---

## DISCLAIMER

Milestone AV Technologies, and its affiliated corporations and subsidiaries (collectively, "Milestone"), intend to make this manual accurate and complete. However, Milestone makes no claim that the information contained herein covers all details, conditions or variations, nor does it provide for every possible contingency in connection with the installation or use of this product. The information contained in this document is subject to change without notice or obligation of any kind. Milestone makes no representation of warranty, expressed or implied, regarding the information contained herein. Milestone assumes no responsibility for accuracy, completeness or sufficiency of the information contained in this document.

Chief® is a trademark of Milestone AV Technologies.  
All rights reserved.



## IMPORTANT SAFETY INSTRUCTIONS



**WARNING:** A WARNING alerts you to the possibility of serious injury or death if you do not follow the instructions.



**CAUTION:** A CAUTION alerts you to the possibility of damage or destruction of equipment if you do not follow the corresponding instructions.



**WARNING:** Failure to read, thoroughly understand, and follow all instructions can result in serious personal injury, damage to equipment, or voiding of factory warranty! It is the installer's responsibility to make sure all components are properly assembled and installed using the instructions provided.



**WARNING:** Failure to provide adequate structural strength for this component can result in serious personal injury or damage to equipment! It is the installer's responsibility to make sure the structure to which this component is attached can support five times the combined weight of all equipment. Reinforce the structure as required before installing the component.



**WARNING:** Exceeding the weight capacity can result in serious personal injury or damage to equipment! It is the installer's responsibility to make sure the structure to which this accessory is attached can support the combined weight of the box and all equipment not to exceed 200 lbs (90.7 kg).



**WARNING:** Use this mounting system only for its intended use as described in these instructions. Do not use attachments not recommended by the manufacturer.



**WARNING:** Never operate this mounting system if it is damaged. Return the mounting system to a service center for examination and repair.



**WARNING:** Do not use this product outdoors.

## NOTES:

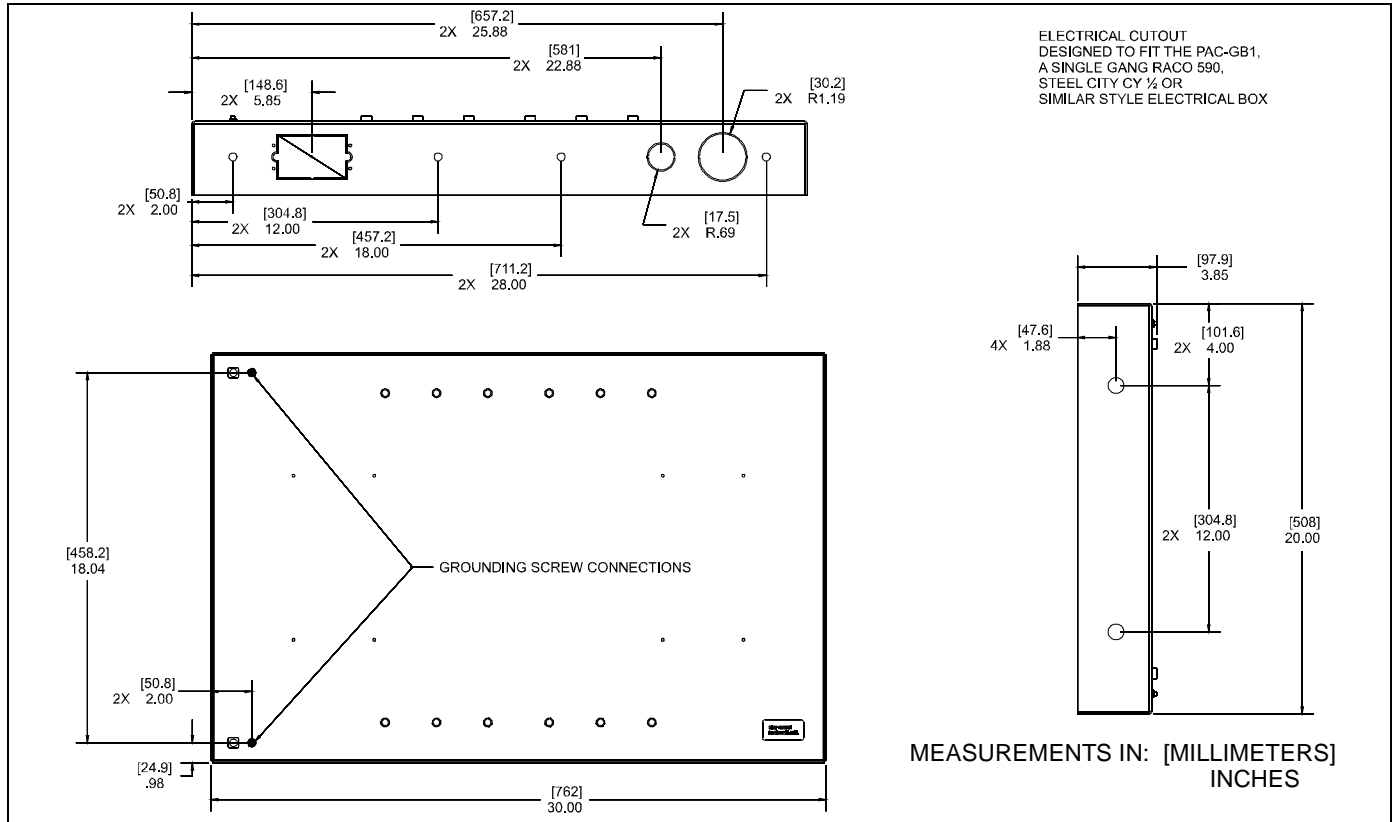
- SUITABLE FOR USE IN OTHER ENVIRONMENTAL AIR SPACE IN ACCORDANCE WITH SECTION 300.22, (C) OF THE NATIONAL ELECTRICAL CODE.
- The equipment shall be installed and assembled by qualified service personnel.
- The maximum specified ambient temperature of the cabinet system is 40° - 120°F (4° - 49°).
- Minimum spacings between the accessories and components and the housing for Information Technology Communication Equipment shall be maintained for safe operation of the equipment when installed in accordance with the National Electric Code, ANSI/NFPA 70-1999. Refer to communication equipment manufacturer's specifications for minimum spacings.
- This Cabinet System is for use with Listed wall mounts. Refer to the individual mount's installation instructions for compatibility.

**IMPORTANT ! :** The PAC501 is designed for in-wall installation spanning three wood studs 16" on center, and is to be used with a Listed Chief PNRIW Series large in-wall swing arm wall mount (not included).

**NOTE:** The PAC501 has been designed to accommodate two UL Listed electrical box accessories (not included).

**--SAVE THESE INSTRUCTIONS--**

**DIMENSIONS**



**LEGEND**

	<p><b>Tighten Fastener</b></p> <p>Apretar elemento de fijación</p> <p>Befestigungsteil festziehen</p> <p>Apertar fixador</p> <p>Serrare il fissaggio</p> <p>Bevestiging vastdraaien</p> <p>Serrez les fixations</p>		<p><b>Pencil Mark</b></p> <p>Marcar con lápiz</p> <p>Stiftmarkierung</p> <p>Marcar com lápis</p> <p>Segno a matita</p> <p>Potloodmerkteken</p> <p>Marquage au crayon</p>
	<p><b>Loosen Fastener</b></p> <p>Aflojar elemento de fijación</p> <p>Befestigungsteil lösen</p> <p>Desapertar fixador</p> <p>Allentare il fissaggio</p> <p>Bevestiging losdraaien</p> <p>Desserrez les fixations</p>		<p><b>Drill Hole</b></p> <p>Perforar</p> <p>Bohrloch</p> <p>Fazer furo</p> <p>Praticare un foro</p> <p>Gat boren</p> <p>Percez un trou</p>
	<p><b>Phillips Screwdriver</b></p> <p>Destornillador Phillips</p> <p>Kreuzschlitzschraubendreher</p> <p>Chave de fendas Phillips</p> <p>Cacciavite a stella</p> <p>Kruiskopschroevendraaier</p> <p>Tournevis à pointe cruciforme</p>		<p><b>Hex-Head Wrench</b></p> <p>Llave de cabeza hexagonal</p> <p>Sechskantschlüssel</p> <p>Chave de cabeça sextavada</p> <p>Chiave esagonale</p> <p>Zeskantsleutel</p> <p>Clé à tête hexagonale</p>

**TOOLS / HARDWARE REQUIRED FOR INSTALLATION**

<p>3/16"</p>	<p style="text-align: center;"><b>HARDWARE REQUIRED</b> <b>(not included)</b></p> <hr/> <ul style="list-style-type: none"> <li>• #10 x 2-1/2" countersunk wood screws (Qty. 16)</li> <li>• 2" x 4" wood for framing and support blocks</li> </ul>
--------------	---

**PARTS**

Grounding screw and washer installed at factory

Earthing symbol IEC 60417 No. 5019 affixed adjacent to grounding terminal.

A (1)  
[PAC501]

B (4)  
[Mounting Spacers]

C (8)  
M7 x 40mm

D (4)  
M7 x 50mm

E (1)  
[M4 Allen driver bit]

F (6)  
08 x 1/2"  
[Extras if needed for installing electrical box]

## INSTALLATION



**WARNING:** DO NOT INSTALL THIS ACCESSORY IN A FIREWALL. Contact your local building inspector before cutting a hole in the drywall if unsure.



**WARNING:** IMPROPER INSTALLATION CAN RESULT IN DEATH OR SERIOUS PERSONAL INJURY! This accessory should be installed by qualified personnel.

### Locate and Prepare Mounting Site

1. Identify a suitable wall location for the in-wall enclosure.

**IMPORTANT ! :** The PAC501 is designed for in-wall installation spanning a minimum of three wood studs, 16" on center. Installation of PAC501 in 2" x 4" wall results in nearly direct contact with vertical studs and back wall. Inadequate space will remain for electrical wires/cables, plumbing, ductwork, or insulation. Locate installation accordingly.



**WARNING:** ELECTRICAL SHOCK HAZARD! CUTTING OR DRILLING INTO ELECTRICAL WIRES OR CABLES CAN CAUSE DEATH OR SERIOUS PERSONAL INJURY! ALWAYS make certain area behind mounting surfaces is free of electrical wires and cables before cutting, drilling, or installing fasteners.



**WARNING:** EXPLOSION AND FIRE HAZARD! CUTTING OR DRILLING INTO GAS PLUMBING CAN CAUSE DEATH OR SERIOUS PERSONAL INJURY! ALWAYS make certain area behind mounting surfaces is free of gas, water, waste, or any other plumbing before cutting, drilling, or installing fasteners.

2. Using a stud sensor, locate and mark studs.
3. Center and level housing between marked studs.
4. Using PAC501 (A) as a template, draw pencil line completely around housing. (See Figure 1)
5. Cut drywall on *outside* edge of line and remove.

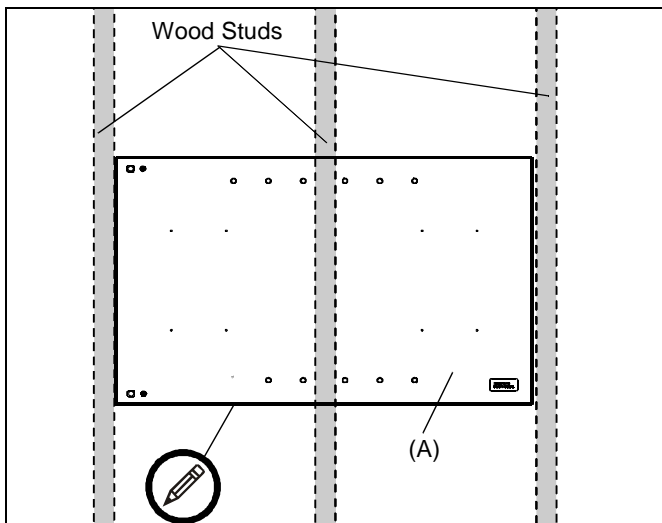


Figure 1

### Frame Housing

The exposed portion of the center wood stud must be removed and the resulting cavity completely framed with wood. The following steps are suggested. The actual procedure is dependent upon the specific installation.



**WARNING:** STRUCTURAL FAILURE HAZARD! FAILURE TO TAKE ADEQUATE PRECAUTIONS CAN LEAD TO DEATH OR SERIOUS INJURY! Ensure removal of center stud will not cause unacceptable loss of structural strength. Consult a qualified building contractor and applicable building codes.

1. Remove exposed portion of center wood stud flush with upper and lower drywall edges.

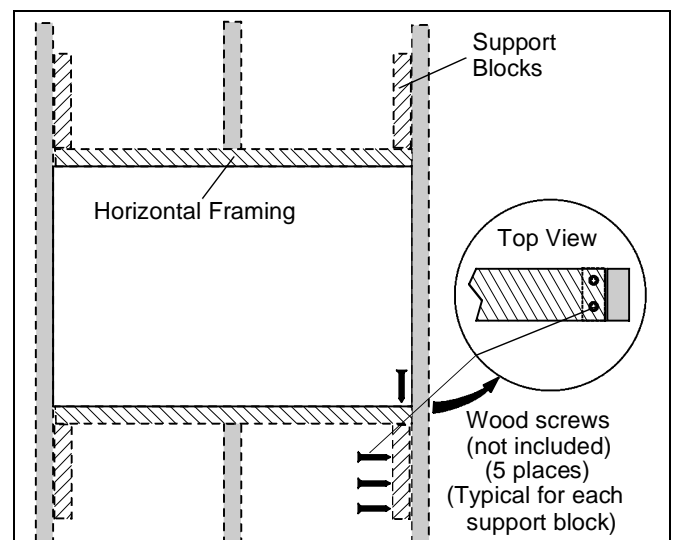


Figure 2

2. Cut four 8" long support blocks out of 2" x 4" wood.
3. Using three #10 x 2-1/2" countersunk wood screws (not included), attach each support block to the studs (See Figure 2)

**NOTE:** Ensure screws are far enough from block end to prevent interference with framing screws installed in Step 6.

4. If necessary, cut rectangular hole in horizontal framing to accommodate a UL Listed electrical box accessory (not included).
5. Attach horizontal framing to each support block with two #10 x 2-1/2" countersunk wood screws (not included). (See Figure 2)

### In-Wall Enclosure Installation

1. Install UL Listed electrical box accessory (not included) into the PAC501 (A) following instructions included with the UL Listed electrical box.
2. Connect electrical wiring according to National Electrical Code (NEC) ANSI/NFPA 70 - 2008, wire connection requirements.
3. Route audio/visual cables into housing.
4. Center PAC501 (A) in opening and insert into opening. Align front of box with front face of wall. (See Figure 3)

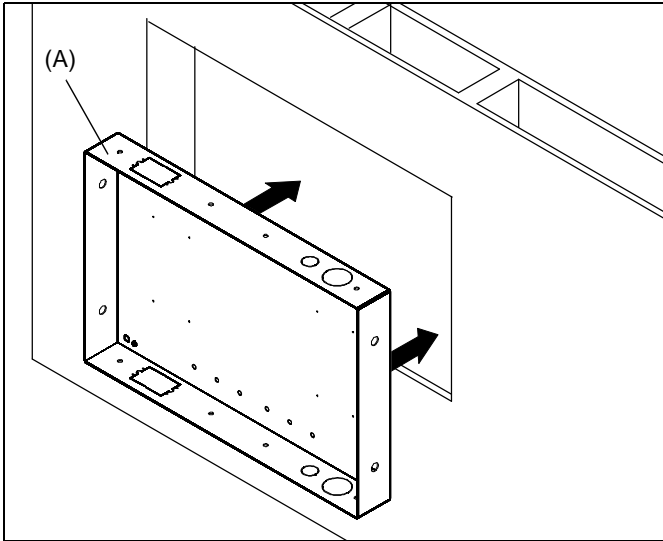


Figure 3



**WARNING: ELECTRICAL SHOCK HAZARD! CUTTING OR DRILLING INTO ELECTRICAL WIRES OR CABLES CAN CAUSE DEATH OR SERIOUS PERSONAL INJURY! ALWAYS make certain area behind mounting surfaces is free of electrical wires and cables before cutting, drilling, or installing fasteners.**

5. Drill four 3/16" diameter pilot holes in studs at side mounting holes. (See Figure 4)
6. Attach the PAC501 (A) to side studs using four M7 x 50mm Allen head connector screws (D) and mounting spacers (B) using an M4 Allen head drill bit (E). (See Figure 4)

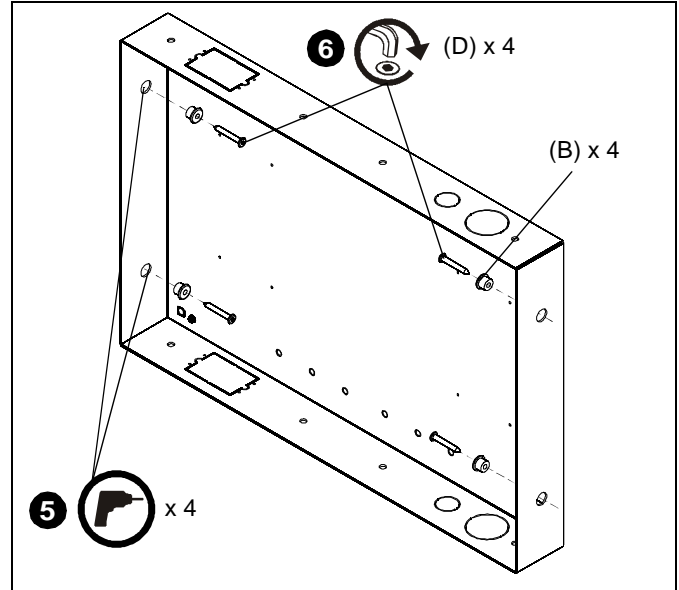


Figure 4

**NOTE:** The PAC501 has 1/2" total clearance between the two studs. The spacers allow side to side adjustment.

7. Drill eight 3/16" diameter pilot holes in horizontal framing at top and bottom mounting holes. (See Figure 5)
8. Attach the PAC501 (A) to horizontal framing using eight M7 x 40mm Allen head connector screws (C) using an M4 Allen head drill bit (E). (See Figure 5)

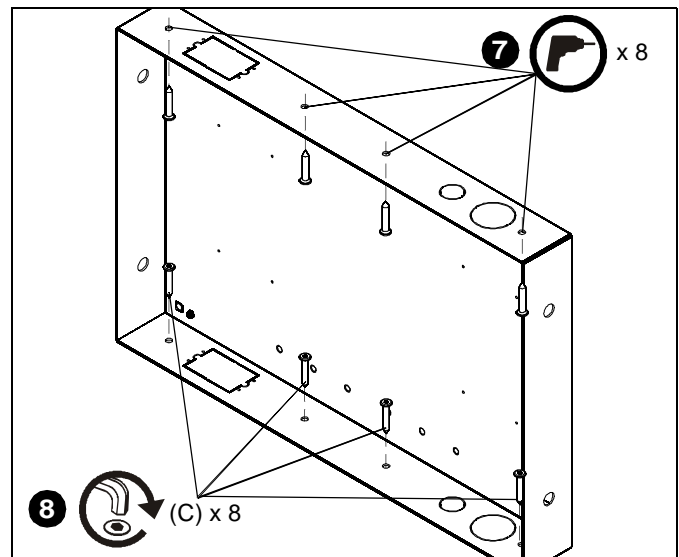


Figure 5



**DANGER:** IMPROPER WIRING CAN LEAD TO DEATH OR SEVERE PERSONAL INJURY! Grounding must be installed by qualified personnel using a UL Recognized No. 12AWG Green and Yellow grounding wire connected to grounding lug on mount.

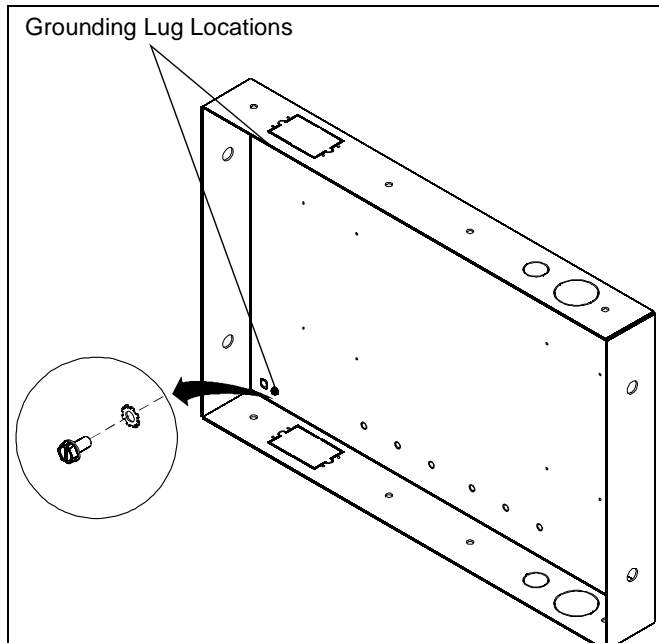


Figure 6

### Installing Arm Kit

Install arm kit following instructions included with the kit.

# Touchboards

**205 Westwood Ave, Long Branch, NJ 07740**

**Phone: 866-94 BOARDS (26273) / (732)-222-1511**

**Fax: (732)-222-7088 | E-mail: [sales@touchboards.com](mailto:sales@touchboards.com)**



Our Mounts. **Your Vision.**

Chief, a products division of  
Milestone AV Technologies

8800-002620 Rev00  
©2014 Milestone AV Technologies  
[www.chiefmfg.com](http://www.chiefmfg.com)  
07/14

<b>USA/International</b>	<b>A</b> 6436 City West Parkway, Eden Prairie, MN 55344
	<b>P</b> 800.582.6480 / 952.225.6000
	<b>F</b> 877.894.6918 / 952.894.6918
<b>Europe</b>	<b>A</b> Franklinstraat 14, 6003 DK Weert, Netherlands
	<b>P</b> +31 (0) 495 580 852
	<b>F</b> +31 (0) 495 580 845
<b>Asia Pacific</b>	<b>A</b> Office No. 918 on 9/F, Shatin Galleria 18-24 Shan Mei Street Fotan, Shatin, Hong Kong
	<b>P</b> 852 2145 4099
	<b>F</b> 852 2145 4477

