

**RECOMMENDED ELECTRICAL BOX:
RACO 560 3" X 2" BOX, 2 3/4" DEEP
GANGABLE OR EQUIVALENT.**

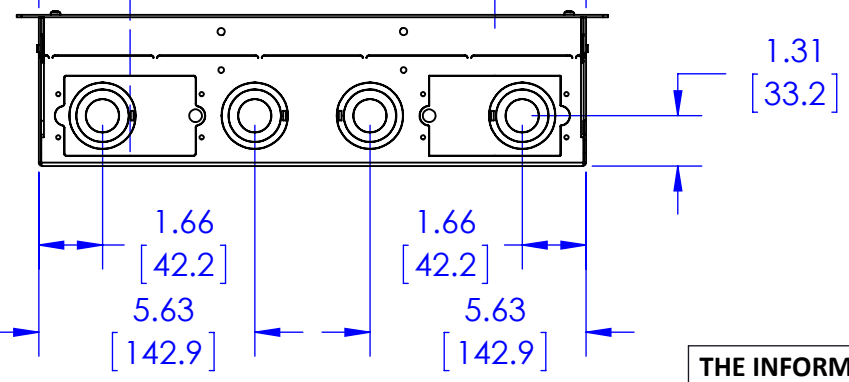
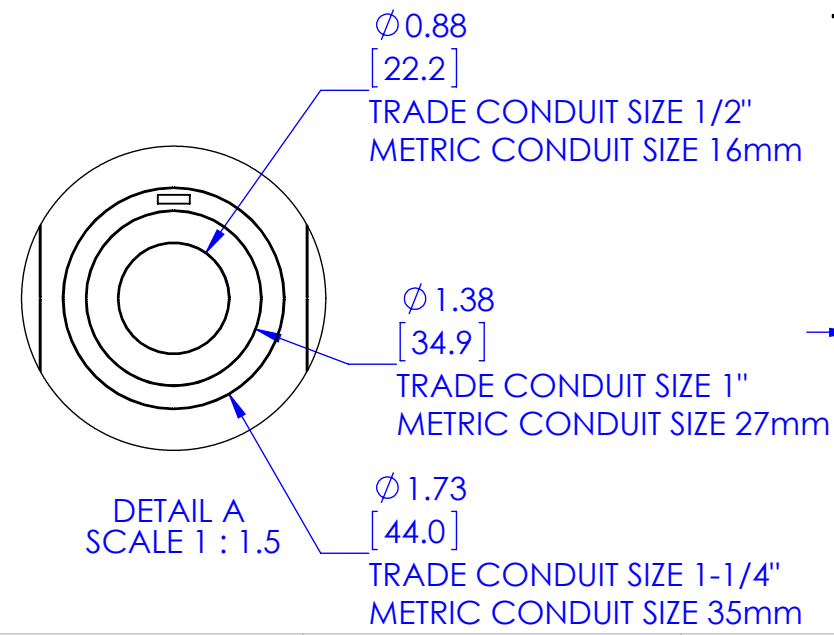
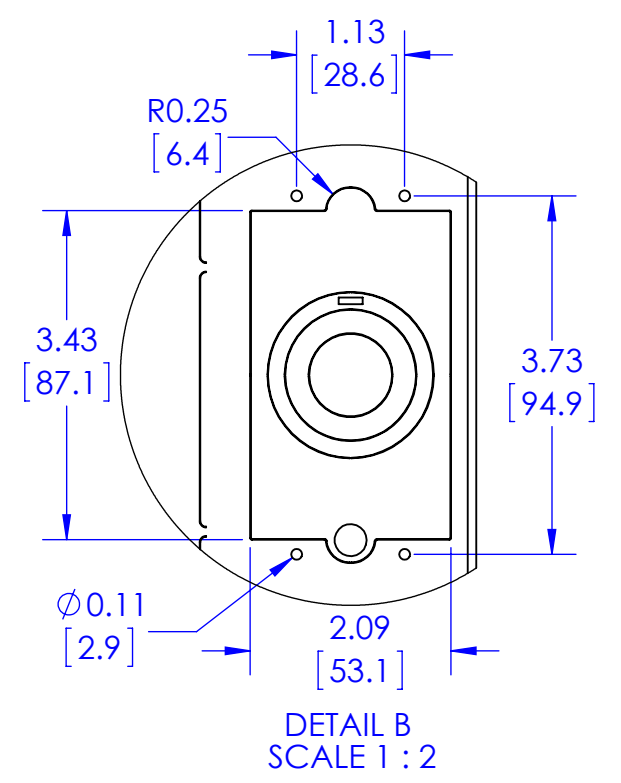
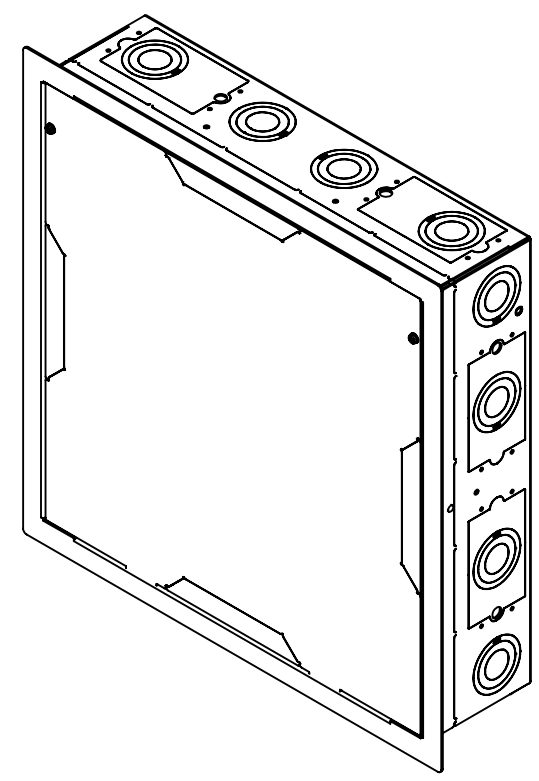
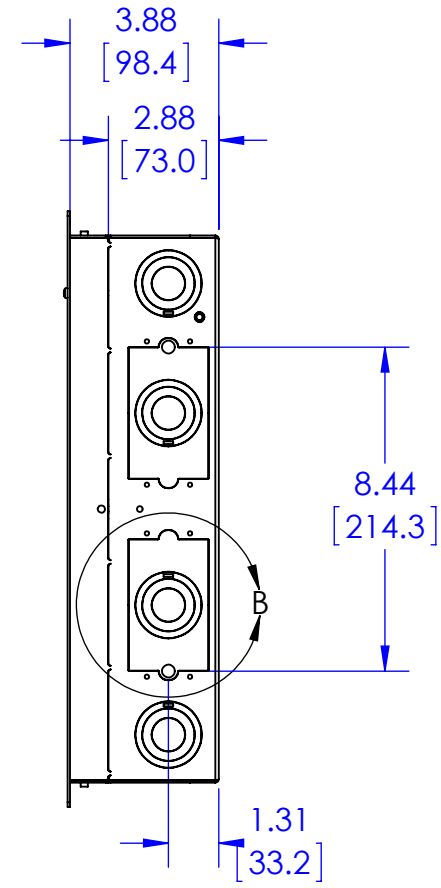
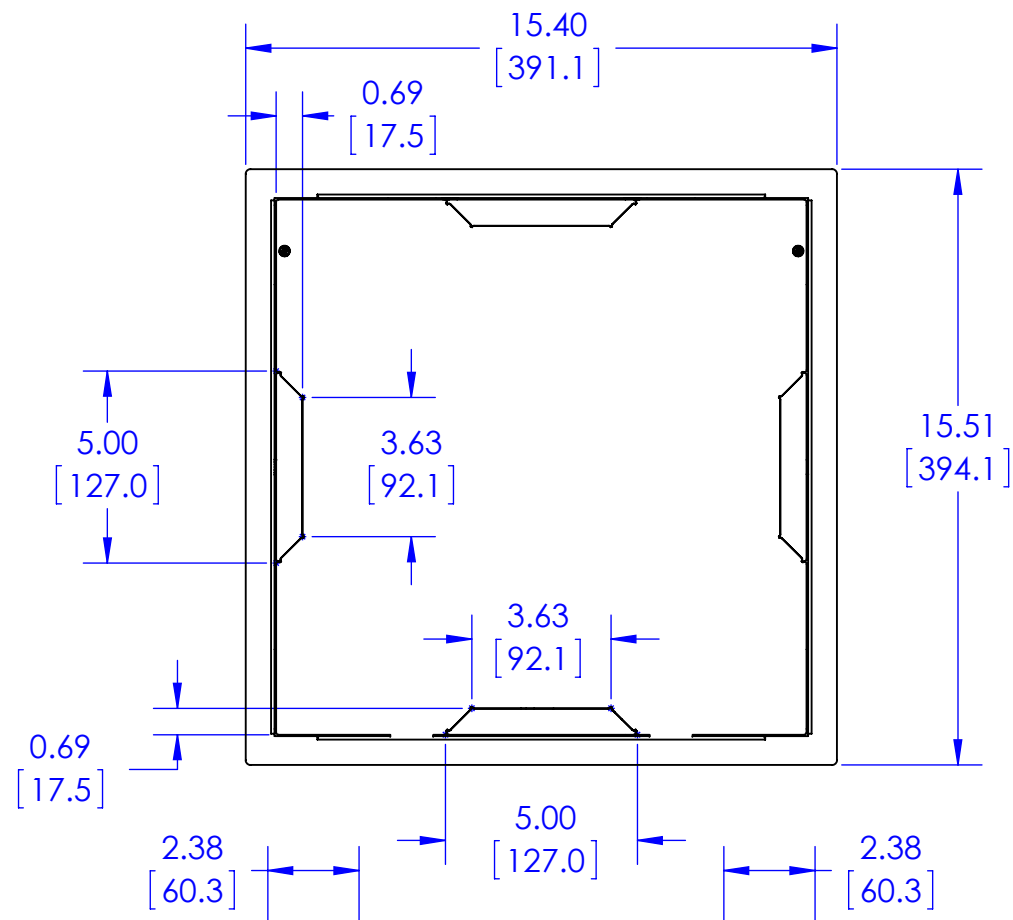
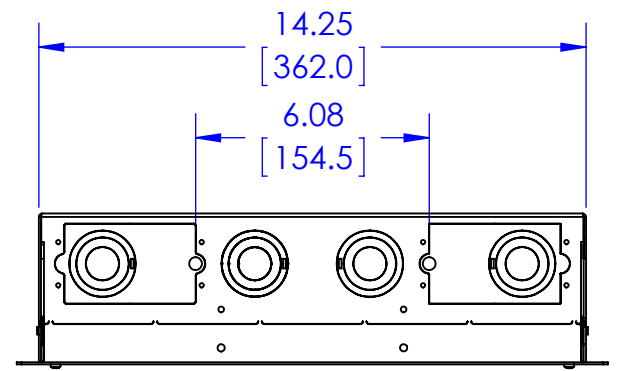
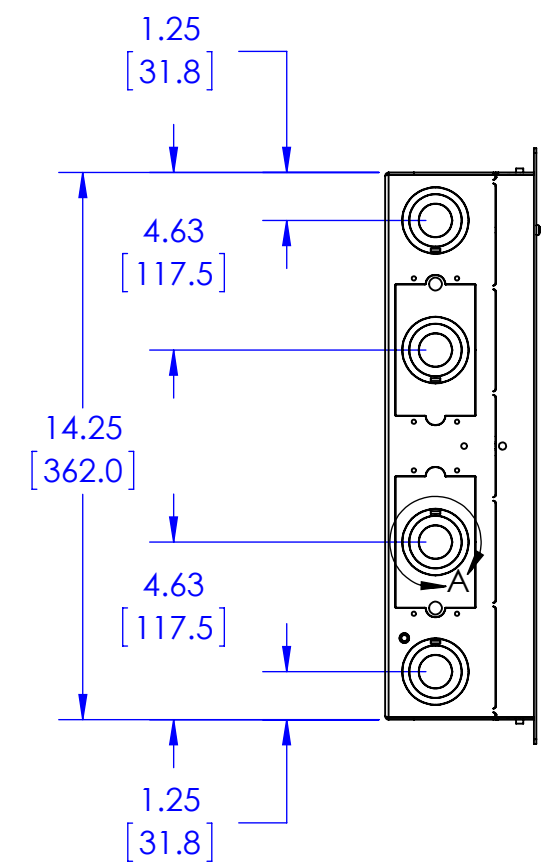
**RECOMMENDED ELECTRICAL BOX
COVER: RACO 864 SINGLE DUPLEX**

D

C

B

A



THE INFORMATION AND DESIGNS CONTAINED IN THIS DRAWING ARE CONFIDENTIAL AND THE PROPRIETARY PROPERTY OF MILESTONE AV TECHNOLOGIES NEITHER THIS DESIGN NOR ANY INFORMATION CONTAINED IN THIS DRAWING MAY BE REPRODUCED OR DISCLOSED TO OTHERS WITHOUT THE EXPRESS WRITTEN CONSENT OF MILESTONE AV TECHNOLOGIES.

CAD GENERATED DRAWING, DO NOT MANUALLY UPDATE.				6436 CITY WEST PKWY EDEN PRAIRIE MN, 55344 PHONE: 866-977-3901 FAX: 877-894-6918	
DRAWN BY	HEF	12/23/2013	DESCRIPTION		
ENG APPROVAL			PAC526FC, WALL ENCLOSURE, W/FLNG-CVR, 16 X 16		
MFG APPROVAL			MODEL NO.		
QA APPROVAL			PAC526FC		
SHEET 1 OF 1		SCALE	SIZE	DWG. NO.	REV.
		1:5	B	TECH-000542	00