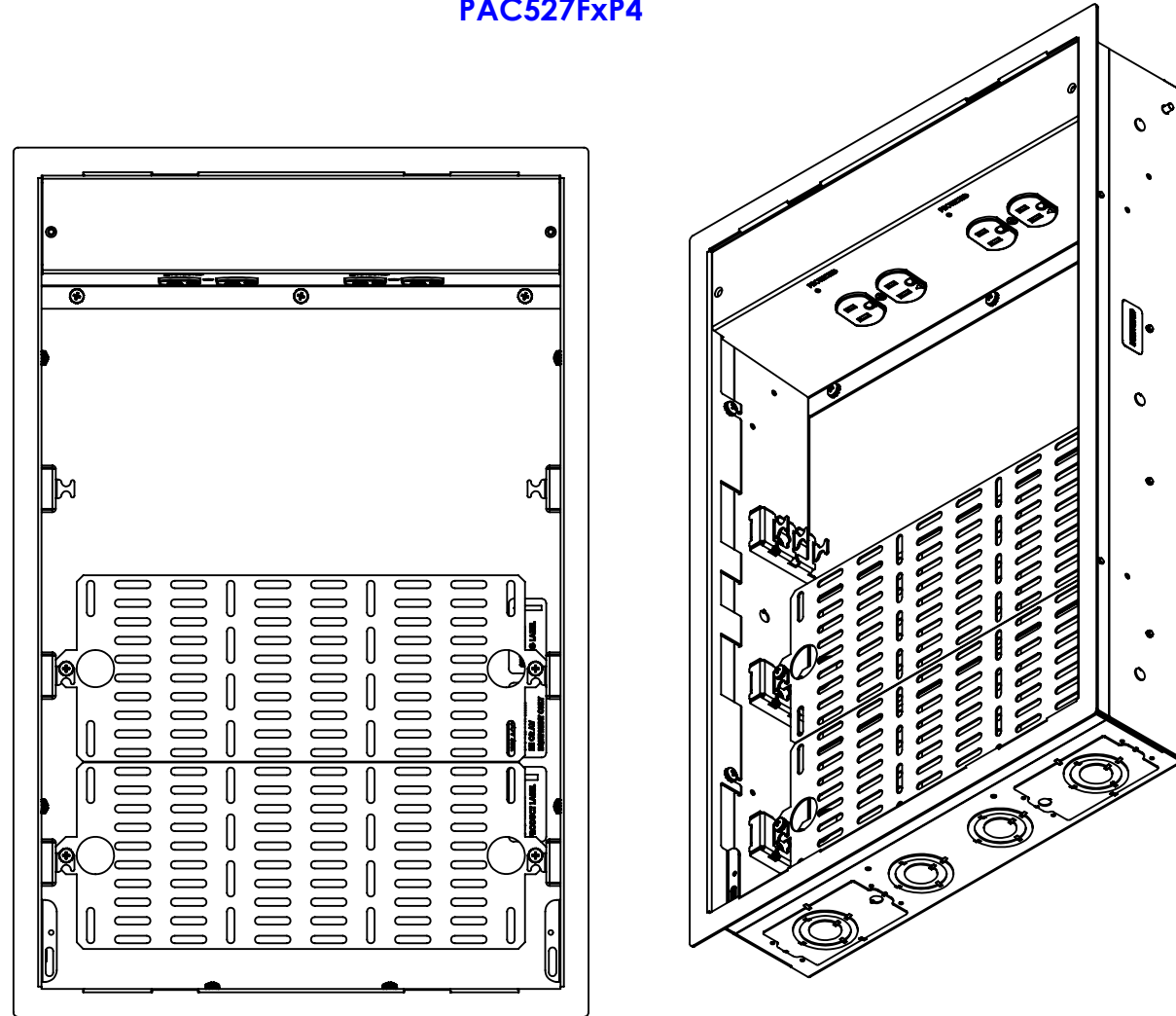
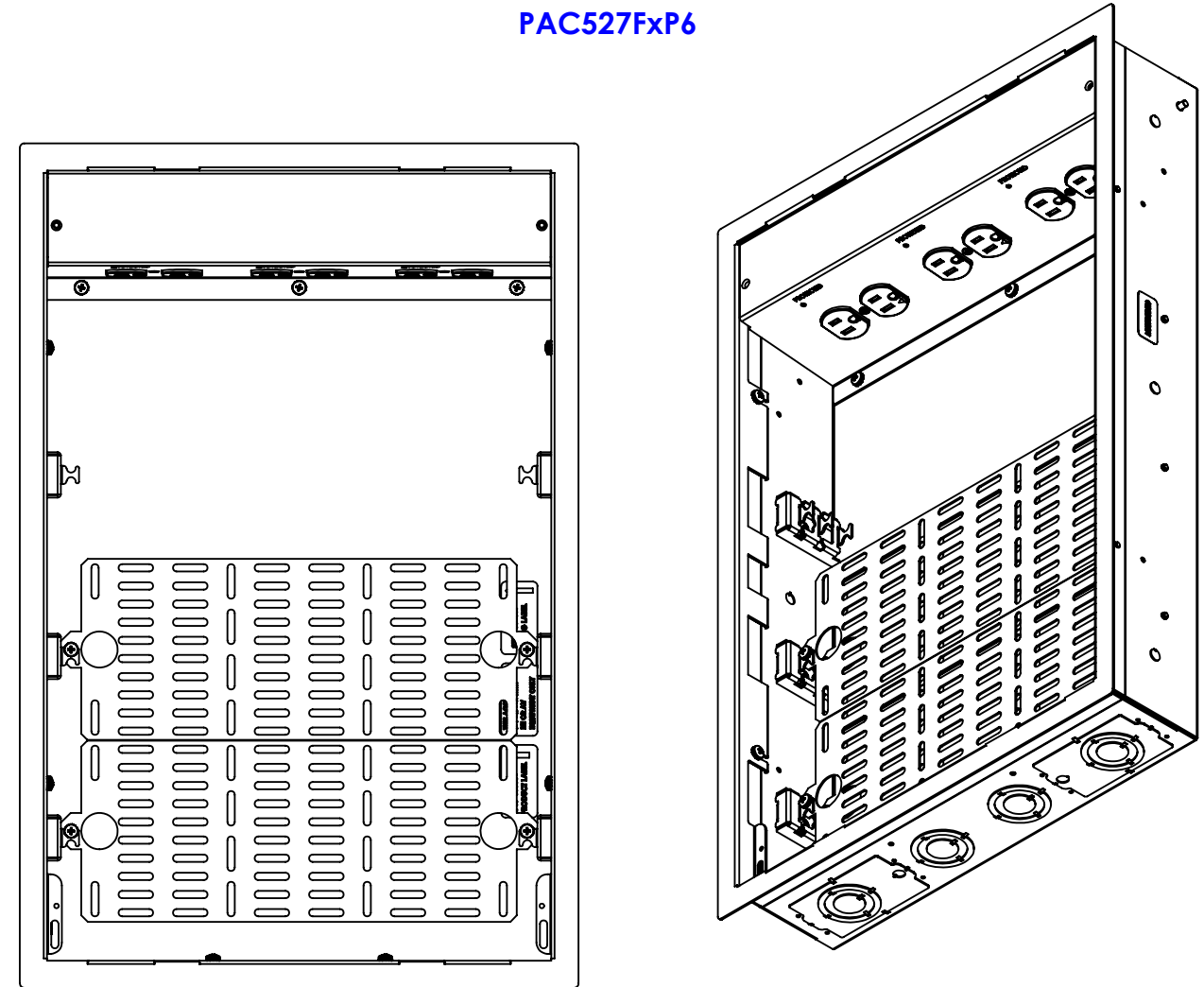



PAC527FxP4



PAC527FxP6

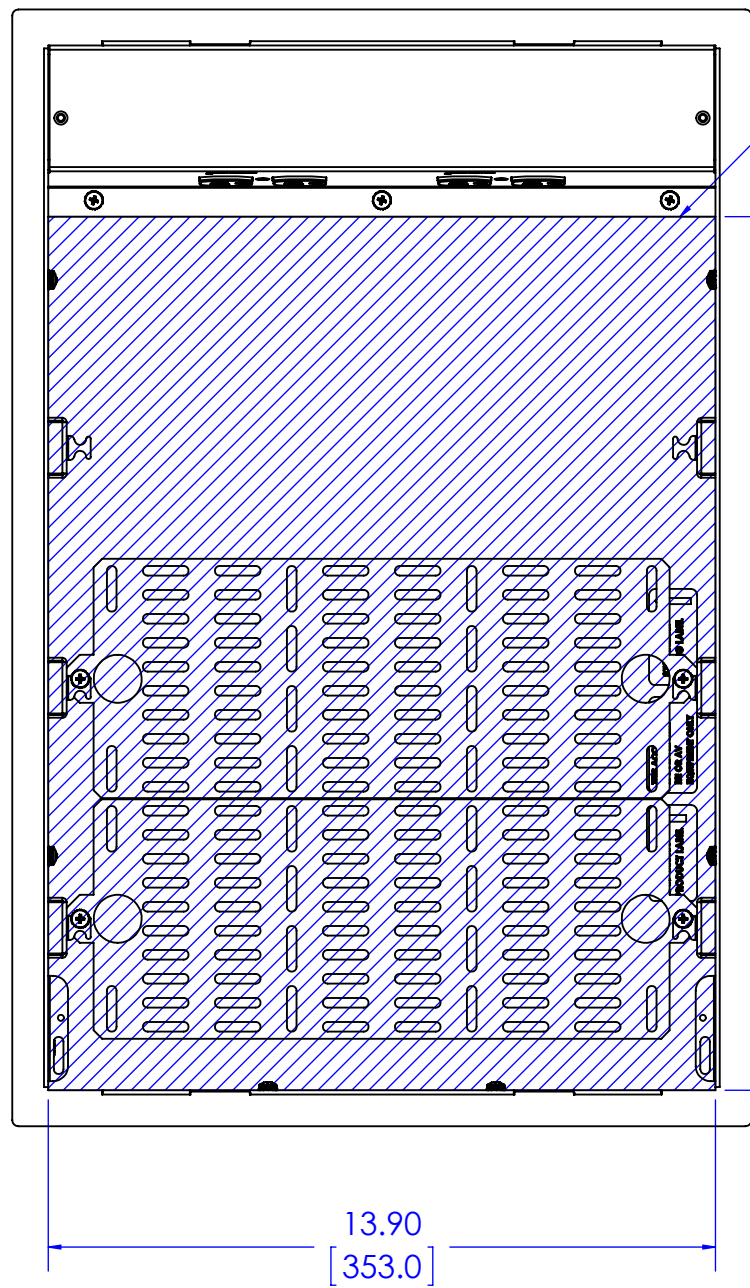
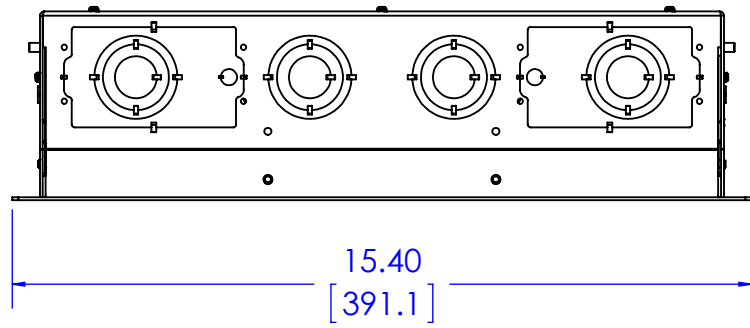


THE INFORMATION AND DESIGNS CONTAINED IN THIS DRAWING ARE CONFIDENTIAL AND THE PROPRIETARY PROPERTY OF MILESTONE AV TECHNOLOGIES NEITHER THIS DESIGN NOR ANY INFORMATION CONTAINED IN THIS DRAWING MAY BE REPRODUCED OR DISCLOSED TO OTHERS WITHOUT THE EXPRESS WRITTEN CONSENT OF MILESTONE AV TECHNOLOGIES.

CAD GENERATED DRAWING, DO NOT MANUALLY UPDATE.			 6436 CITY WEST PKWY EDEN PRAIRIE MN, 55344 PHONE: 866-977-3901 FAX: 877-894-6918
DRAWN BY	HEF	3/28/2017	
ENG APPROVAL			DESCRIPTION PAC527 LARGE IN-WALL BOX W/ POWER
MFG APPROVAL			
QA APPROVAL			
SHEET 1 OF 2		SCALE 1:5	MODEL NO. PAC527FxPx
	SIZE B	DWG. NO. TECH-000847	REV. 00

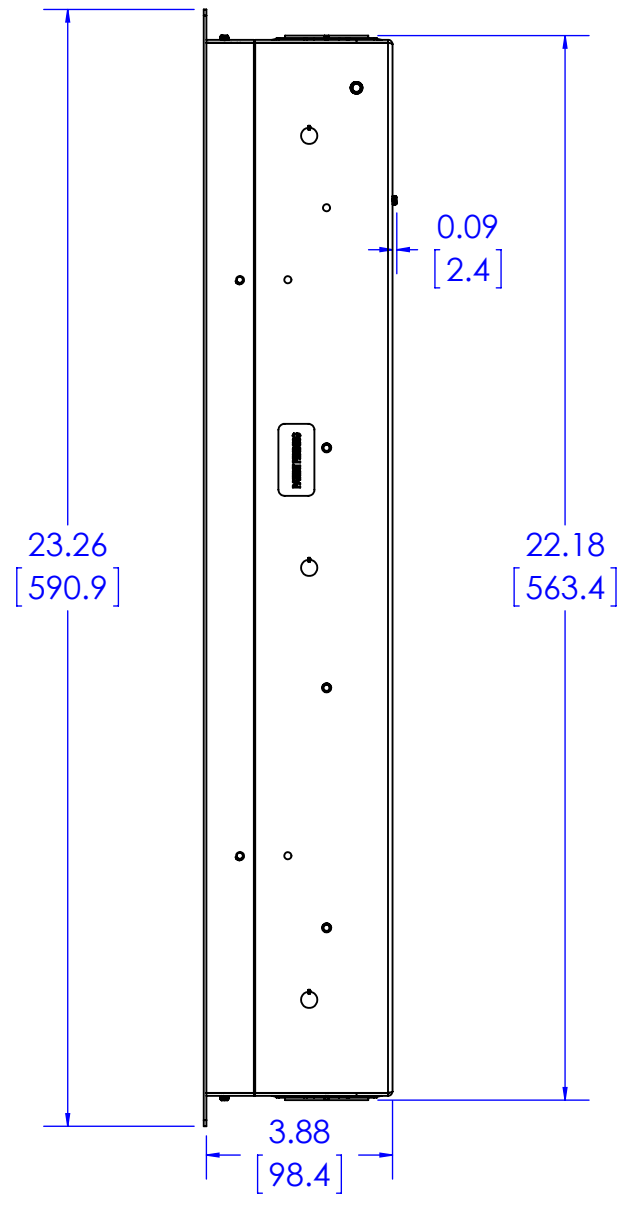
SEE PAC527F FOR ADDITIONAL BOX DIMENSIONS

AC LINE POWER CONDITIONER 125 V~, 60 Hz, 15 A
4x14 AWG STRANDED WIRE W/ ISOLATED GROUND
SURGE PROTECTION
EMI/RFI FILTERING
POWER CONSUMPTION: <0.5 WATT



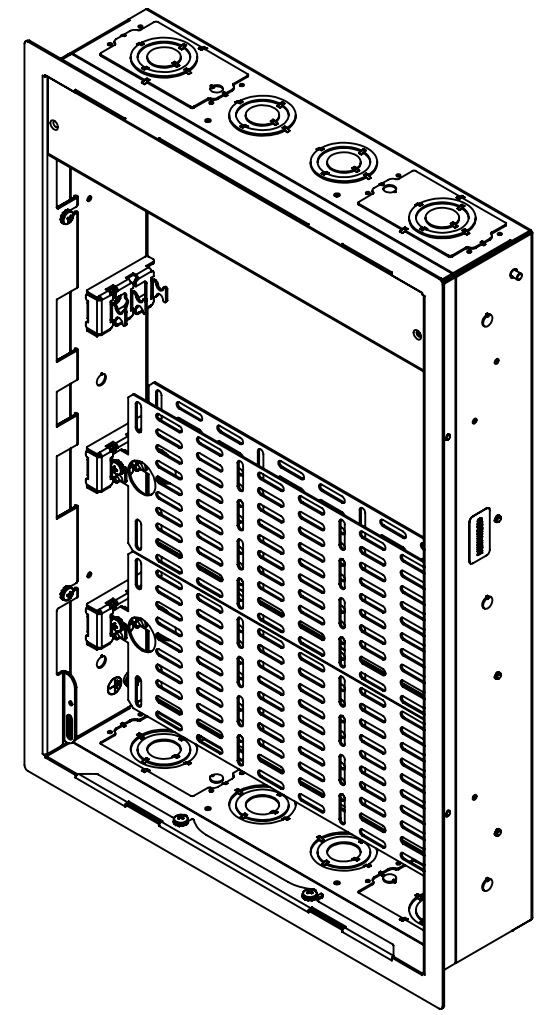
USEABLE STORAGE SPACE

18.20
[462.3]



0.09
[2.4]

22.18
[563.4]



THE INFORMATION AND DESIGNS CONTAINED IN THIS DRAWING ARE CONFIDENTIAL AND THE PROPRIETARY PROPERTY OF MILESTONE AV TECHNOLOGIES NEITHER THIS DESIGN NOR ANY INFORMATION CONTAINED IN THIS DRAWING MAY BE REPRODUCED OR DISCLOSED TO OTHERS WITHOUT THE EXPRESS WRITTEN CONSENT OF MILESTONE AV TECHNOLOGIES.

CAD GENERATED DRAWING, DO NOT MANUALLY UPDATE.			CHIEF 6436 CITY WEST PKWY EDEN PRAIRIE MN, 55344 PHONE: 866-977-3901 FAX: 877-894-6918
DRAWN BY	HEF	3/28/2017	
ENG APPROVAL			DESCRIPTION PAC527 LARGE IN-WALL BOX W/ POWER
MFG APPROVAL			MODEL NO. PAC527FxPx
QA APPROVAL			SCALE 1:4
SHEET 2 OF 2		SIZE B	DWG. NO. TECH-000847
			REV. 00