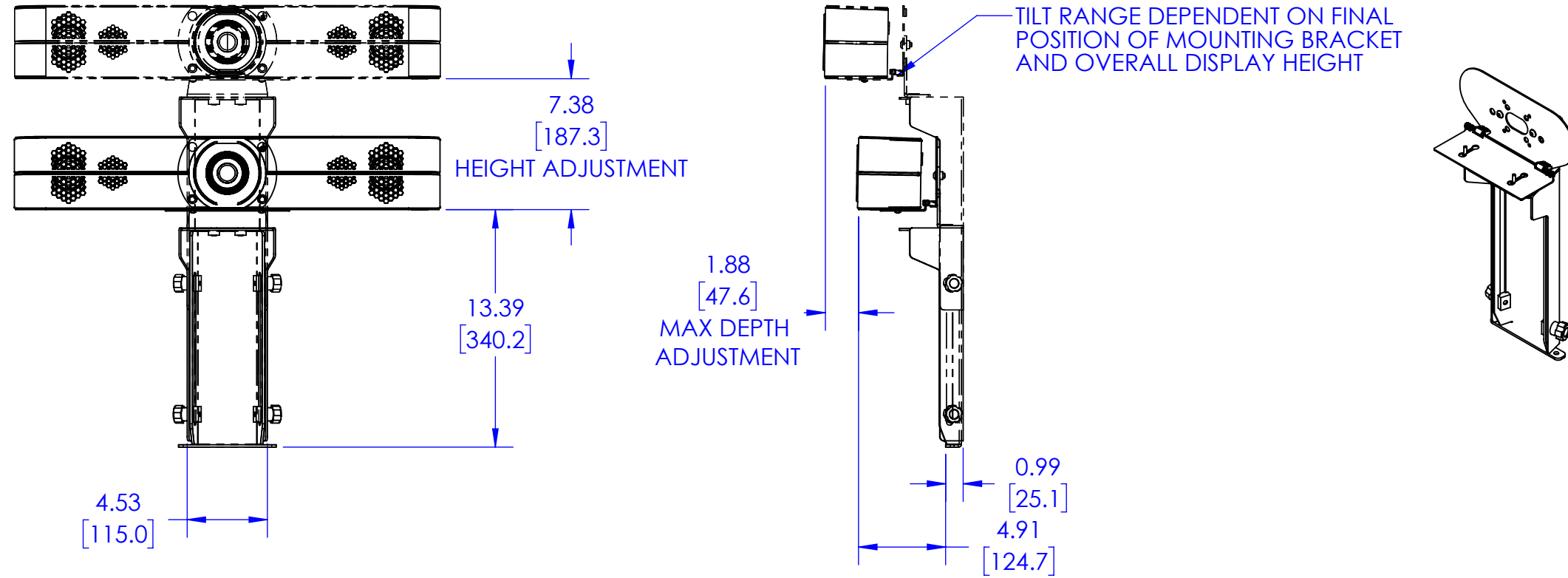
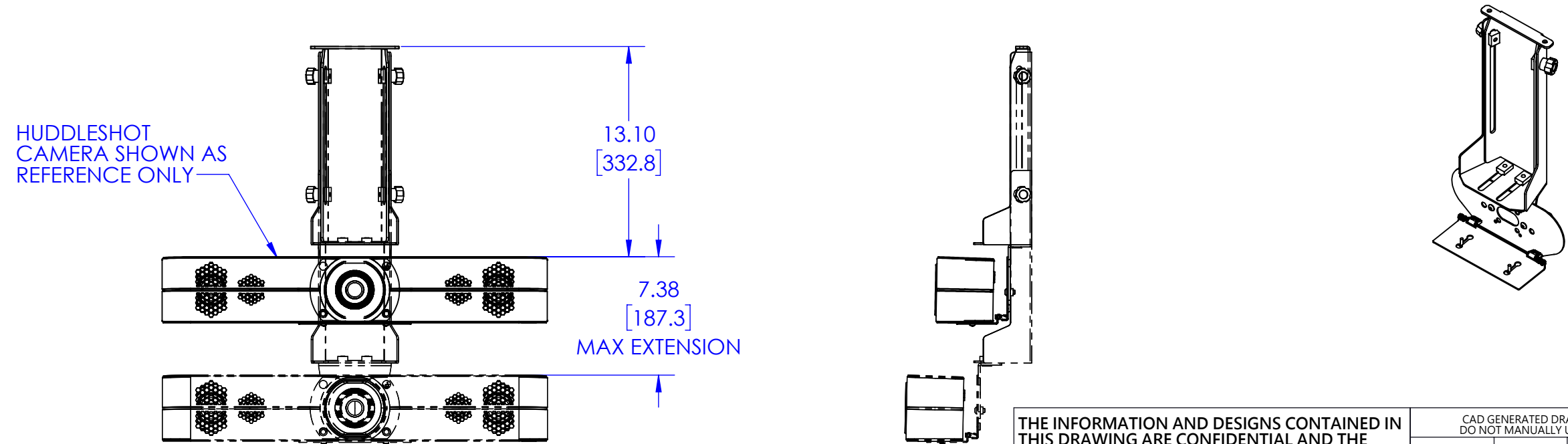


HUDDLESHOT CAMERA INSTALLED ABOVE DISPLAY



HUDDLESHOT CAMERA INSTALLED BELOW DISPLAY



THE INFORMATION AND DESIGNS CONTAINED IN THIS DRAWING ARE CONFIDENTIAL AND THE PROPRIETARY PROPERTY OF LEGRAND | AV. NEITHER THIS DESIGN NOR ANY INFORMATION CONTAINED IN THIS DRAWING MAY BE REPRODUCED OR DISCLOSED TO OTHERS WITHOUT THE EXPRESS WRITTEN CONSENT OF LEGRAND | AV.

| | | | | | | |
|--|-----|----------|-----------------------|-------------|---|--|
| CAD GENERATED DRAWING, DO NOT MANUALLY UPDATE. | | | | | 6436 CITY WEST PKWY EDEN PRAIRIE MN, 55344 PHONE: 866-977-3901 FAX: 877-894-6918 | |
| DRAWN BY | PMS | 2/7/2020 | DESCRIPTION | | | |
| ENG APPROVAL | | | PAC810HS TECH DRAWING | | | |
| MFG APPROVAL | | | MODEL NO. | | | |
| QA APPROVAL | | | PAC810HS | | | |
| SHEET 1 OF 1 | | SCALE | SIZE | DWG. NO. | REV. | |
| | | 1:8 | B | TECH-001049 | 00 | |