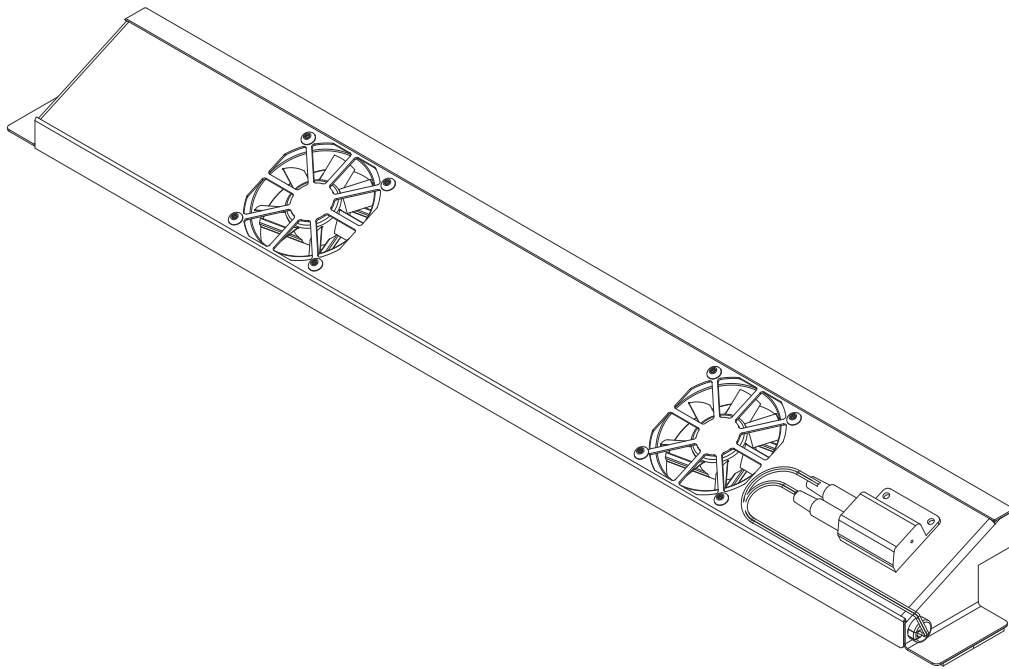


# INSTALLATION INSTRUCTIONS



---

## Kiosk Fan Accessory

---

 **CHIEF**<sup>®</sup>

A brand of  **legrand**<sup>®</sup>

**PACFAN1**

## DISCLAIMER

Legrand | AV and its affiliated corporations and subsidiaries (collectively "Legrand | AV"), intend to make this manual accurate and complete. However, Legrand | AV makes no claim that the information contained herein covers all details, conditions or variations, nor does it provide for every possible contingency in connection with the installation or use of this product. The information contained in this document is subject to change without notice or obligation of any kind. Legrand | AV makes no representation of warranty, expressed or implied, regarding the information contained herein. Legrand | AV assumes no responsibility for accuracy, completeness or sufficiency of the information contained in this document.

Chief® is a registered trademark of Legrand AV Inc.

## DEFINITIONS

**MOUNTING SYSTEM:** A MOUNTING SYSTEM is the primary Chief product to which an accessory and/or component is attached.

**ACCESSORY:** AN ACCESSORY is the secondary Chief product which is attached to a primary Chief product, and may have a component attached or setting on it.

**COMPONENT:** A COMPONENT is an audiovisual item designed to be attached or resting on an accessory or mounting system such as a video camera, CPU, screen, display, projector, etc.



**WARNING:** A WARNING alerts you to the possibility of serious injury or death if you do not follow the instructions.



**CAUTION:** A CAUTION alerts you to the possibility of damage or destruction of equipment if you do not follow the corresponding instructions.



## IMPORTANT SAFETY INSTRUCTIONS



**WARNING:** Failure to read, thoroughly understand, and follow all instructions can result in serious personal injury, damage to equipment, or voiding of factory warranty! It is the installer's responsibility to make sure all components are properly assembled and installed using the instructions provided.



**WARNING:** Use this mounting system only for its intended use as described in these instructions. Do not use attachments not recommended by the manufacturer.



**WARNING:** Never operate this mounting system if it is damaged. Return the mounting system to a service center for examination and repair.

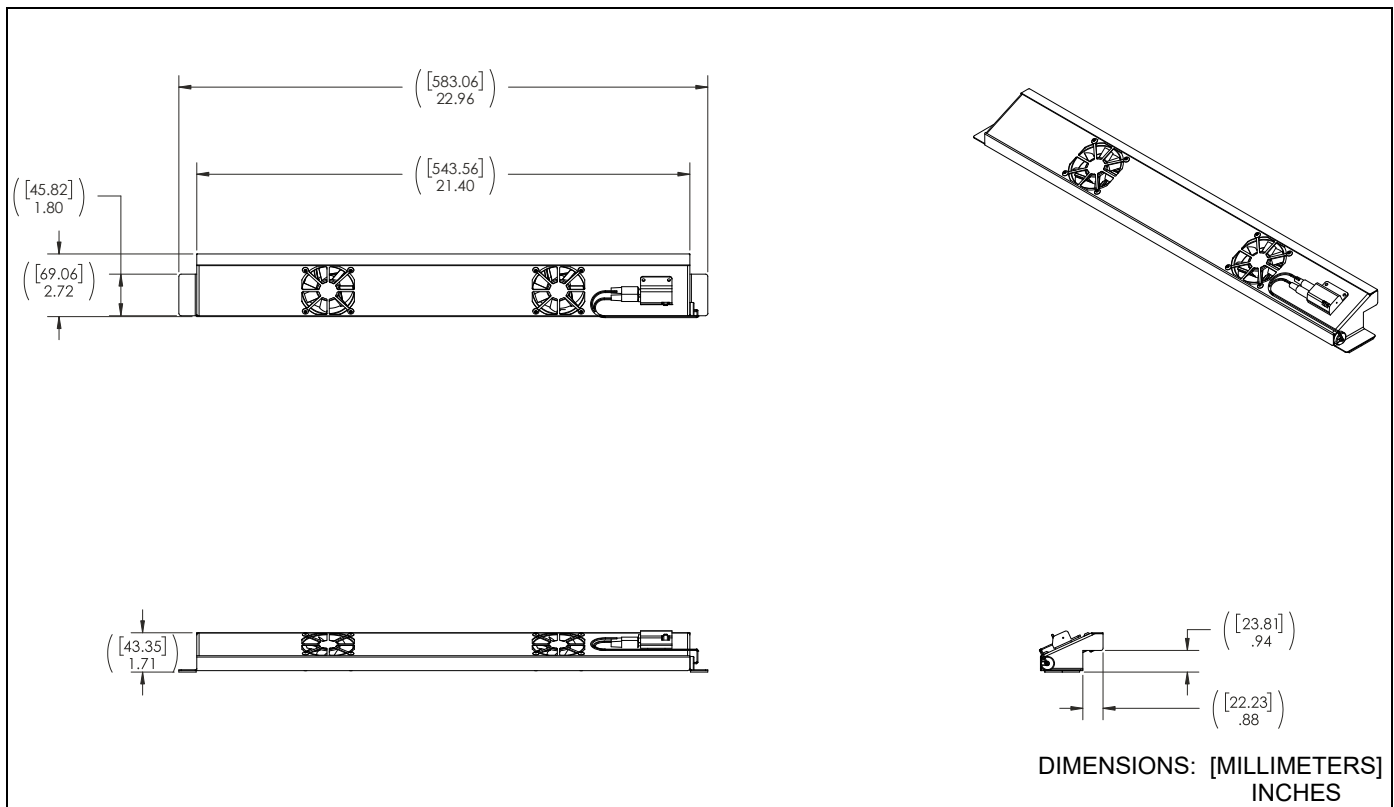


**WARNING:** Do not use this product outdoors.

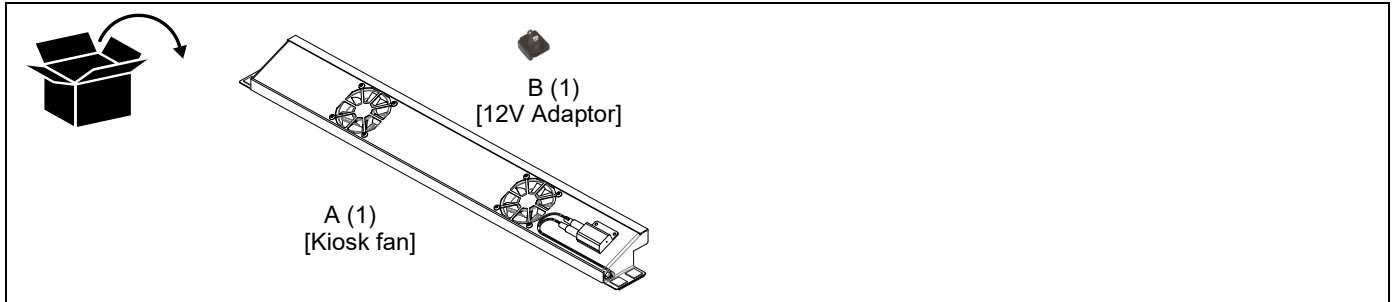
**NOTE:** The PACFAN1 fan accessory can be used with all Chief™ Portrait Wall Kiosk mounts between 43" and 75" (Models LW43/46/47/48/49/55/65/70/75xUP).

**--SAVE THESE INSTRUCTIONS--**

## DIMENSIONS



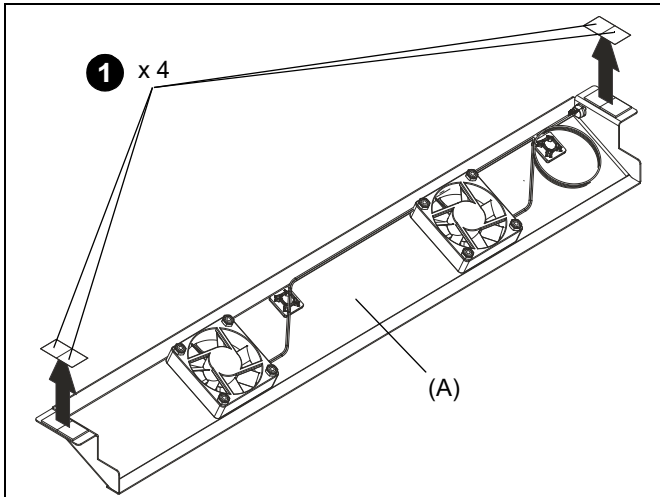
**PARTS FOR INSTALLATION**



**ASSEMBLY AND INSTALLATION**

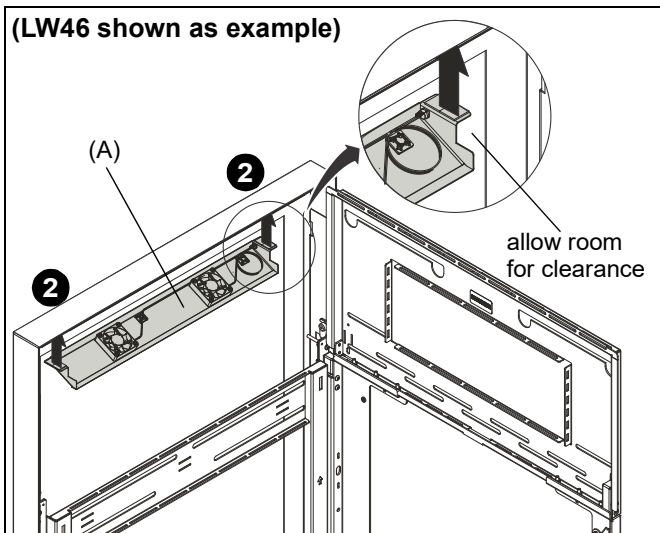
**NOTE:** The PACFAN1 fan accessory can be used with all Chief™ Portrait Wall Kiosk mounts between 43" and 75" (Models LW43/46/47/48/49/55/65/70/75xUP).

1. Remove adhesive covers from four foam tape squares on outer edges of kiosk fan (A) . (See Figure 1)



**Figure 1**

2. Use four foam tape squares to attach kiosk fan (A) to a clean surface along top edge of kiosk making sure it's installed in a position so that there is enough clearance for the door to shut. (See Figure 2)



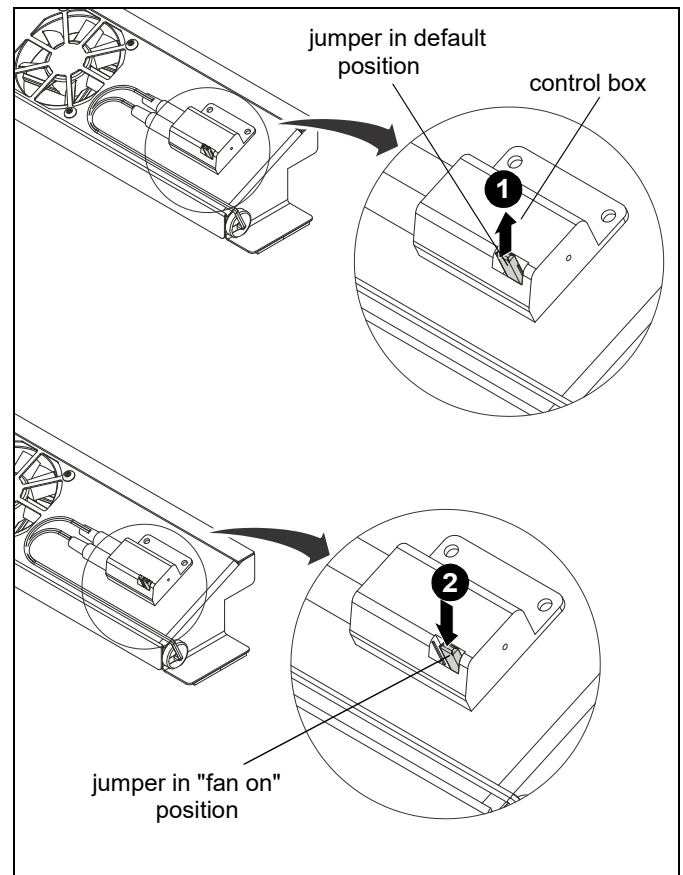
**Figure 2**

3. Connect fan cables to available power source using 12V adaptor (B).

**Automatic "On/Off" Feature**

**IMPORTANT ! :** The PACFAN1 is designed to only run when the internal temperature reaches 87° F or higher and will turn off automatically when the temperature drops below 85°. This feature may be turned "off" by adjusting the switch located on the control box.

1. To turn "off" temperature sensors, remove jumper from control box pins. (See Figure 3)
2. Install removed jumper to the far right position to the "fans on" position and the fans will run continuously regardless of temperature. (See Figure 3)



**Figure 3**



A brand of  **legrand**

8800-003147 Rev01  
©2019 Legrand | AV  
[www.legrandav.com](http://www.legrandav.com)  
11/19

<b>USA/International</b>	<b>A</b> 6436 City West Parkway, Eden Prairie, MN 55344 <b>P</b> 800.582.6480 / 952.225.6000 <b>F</b> 877.894.6918 / 952.894.6918
<b>Europe</b>	<b>A</b> Franklinstraat 14, 6003 DK Weert, Netherlands <b>P</b> +31 (0) 495 580 852 <b>F</b> +31 (0) 495 580 845
<b>Asia Pacific</b>	<b>A</b> Office No. 918 on 9/F, Shatin Galleria 18-24 Shan Mei Street Fotan, Shatin, Hong Kong <b>P</b> 852 2145 4099 <b>F</b> 852 2145 4477

