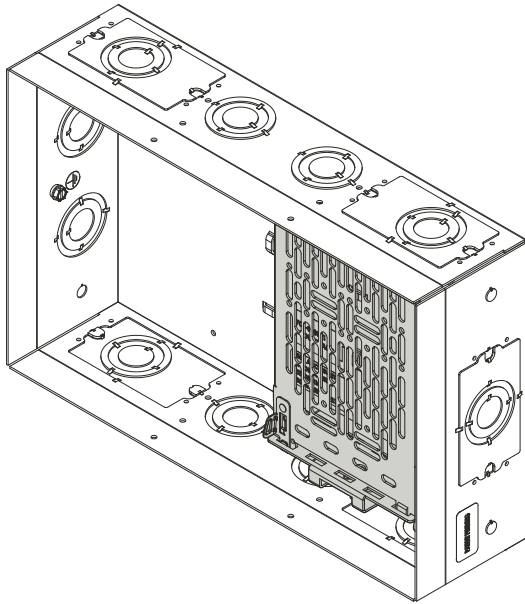
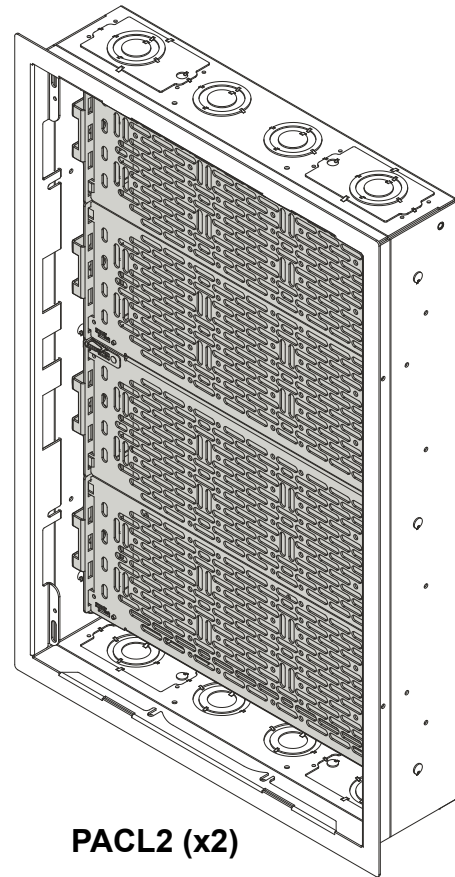

INSTALLATION INSTRUCTIONS



PACL1



PACL2 (x2)

LeverLock™ Backplane Accessory

DISCLAIMER

Legrand | AV and its affiliated corporations and subsidiaries (collectively “Legrand | AV”), intend to make this manual accurate and complete. However, Legrand | AV makes no claim that the information contained herein covers all details, conditions or variations, nor does it provide for every possible contingency in connection with the installation or use of this product. The information contained in this document is subject to change without notice or obligation of any kind. Legrand | AV makes no representation of warranty, expressed or implied, regarding the information contained herein. Legrand | AV assumes no responsibility for accuracy, completeness or sufficiency of the information contained in this document.

Chief® is a registered trademark of Legrand AV Inc.

DEFINITIONS

MOUNTING SYSTEM: A MOUNTING SYSTEM is the primary Chief product to which an accessory and/or component is attached.

ACCESSORY: AN ACCESSORY is the secondary Chief product which is attached to a primary Chief product, and may have a component attached or setting on it.

COMPONENT: A COMPONENT is an audiovisual item designed to be attached or resting on an accessory or mounting system such as a video camera, CPU, screen, display, projector, etc.



WARNING: A WARNING alerts you to the possibility of serious injury or death if you do not follow the instructions.



CAUTION: A CAUTION alerts you to the possibility of damage or destruction of equipment if you do not follow the corresponding instructions.



IMPORTANT SAFETY INSTRUCTIONS



WARNING: Failure to read, thoroughly understand, and follow all instructions can result in serious personal injury, damage to equipment, or voiding of factory warranty! It is the installer’s responsibility to make sure all accessories are properly assembled and installed using the instructions provided.



WARNING: Failure to provide adequate structural strength for this accessory can result in serious personal injury or damage to equipment! It is the installer’s responsibility to make sure the structure to which this accessory is attached can support five times the combined weight of all equipment. Reinforce the structure as required before installing the accessory.



WARNING: Exceeding the weight capacity can result in serious personal injury or damage to equipment! It is the installer’s responsibility to make sure the combined weight of all components located in the accessory does not exceed 5 lbs (2.3 kg) for the PACL1, 10 lbs (4.5 kg) for the PACL2 or 5 lbs (2.3 kg) for a half PACL2 backplane (after separation.)



WARNING: Use this accessory only for its intended use as described in these instructions. Do not use attachments not recommended by the manufacturer.



WARNING: Never operate this accessory if it is damaged. Return the accessory to a service center for examination and repair.

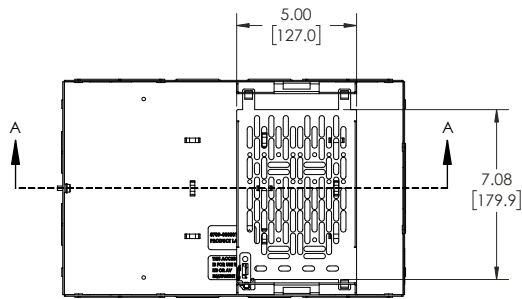
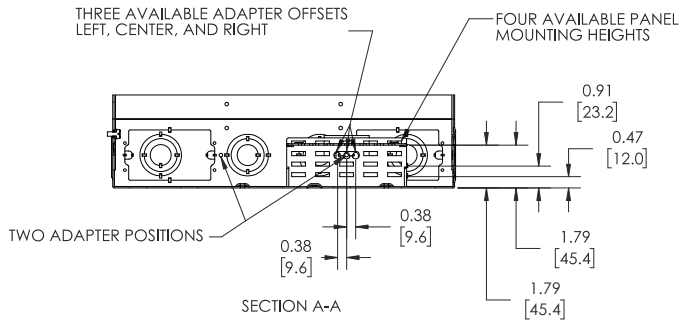


WARNING: For indoor use only.

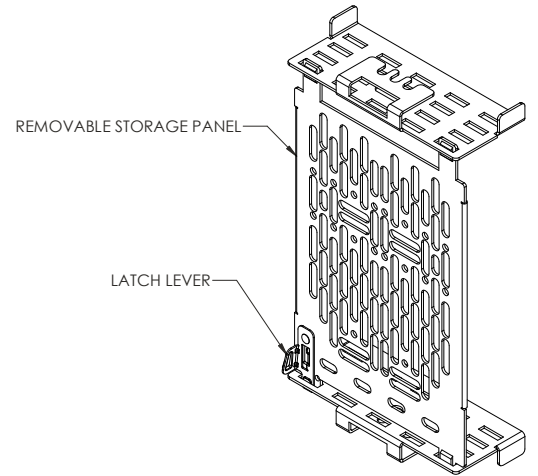
--SAVE THESE INSTRUCTIONS--

DIMENSIONS

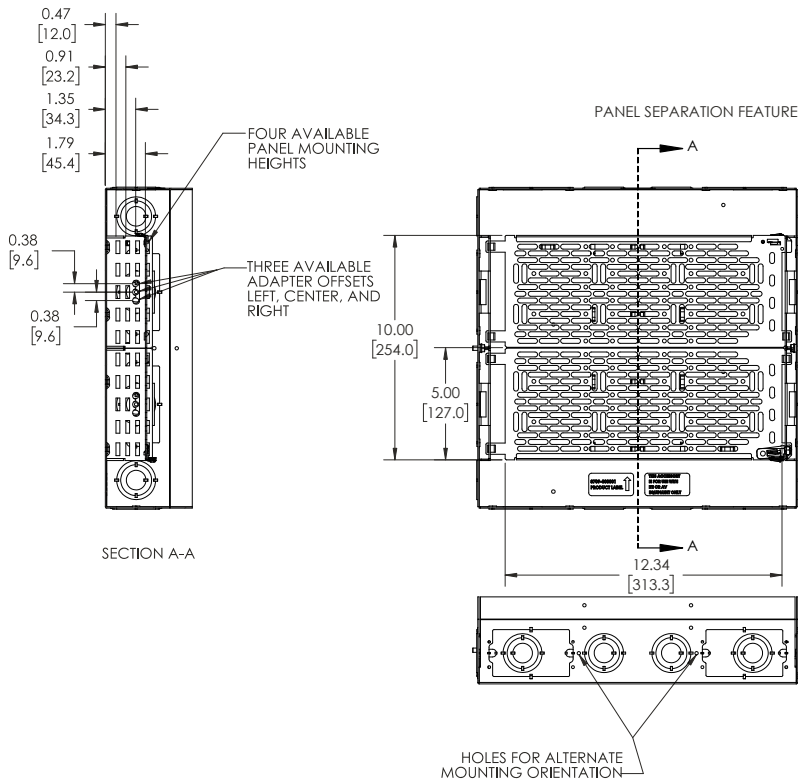
NOTE:
PAC525 ENCLOSURE SHOWN FOR REFERENCE, NOT INCLUDED



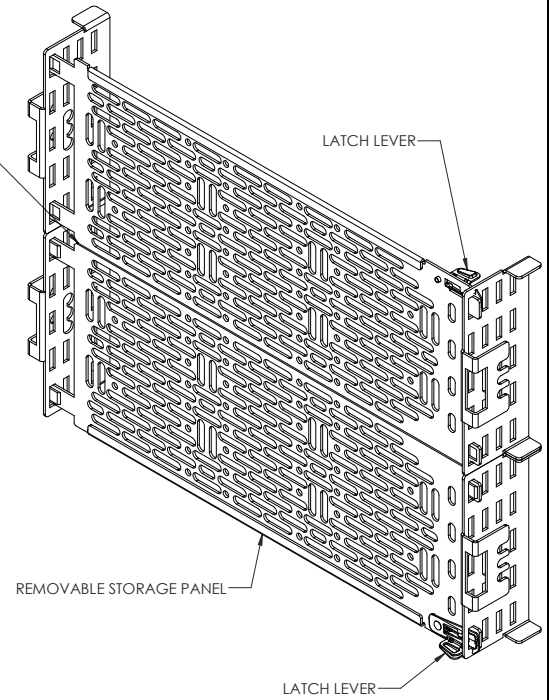
PACL1



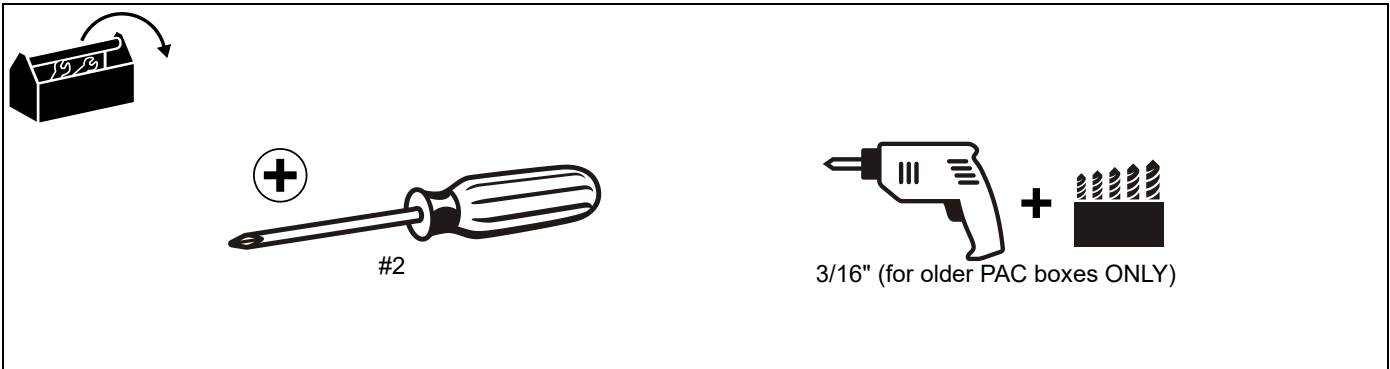
NOTE:
PAC526 ENCLOSURE SHOWN FOR REFERENCE, NOT INCLUDED



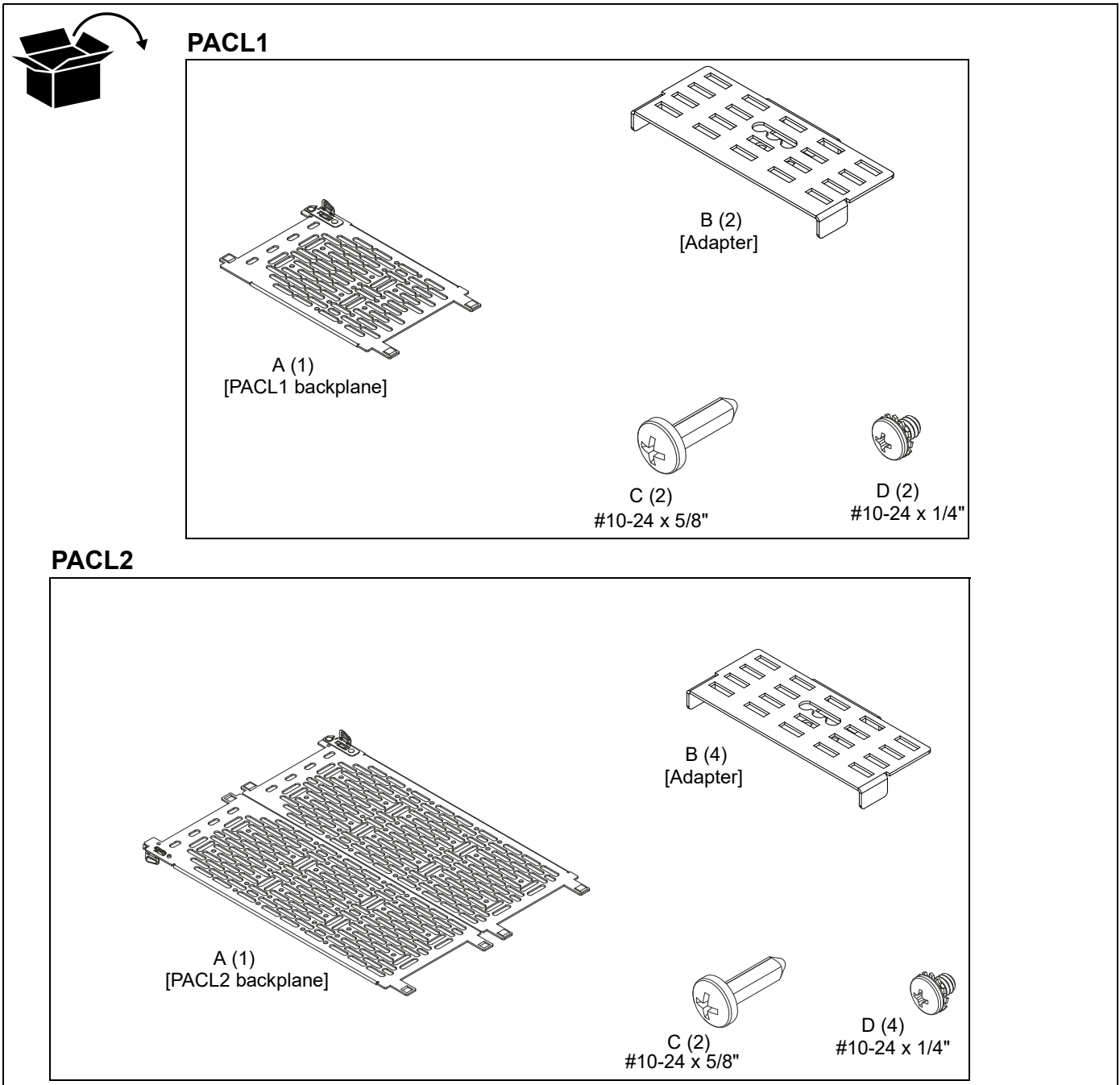
PACL2



TOOLS REQUIRED FOR INSTALLATION



PARTS INCLUDED



ASSEMBLY AND INSTALLATION

IMPORTANT ! : If installing to an old PAC box without the pre-drilled hole locations, it is necessary to drill new holes into the boxes. Proceed to "Drill Retro-fit Holes" Section before installing backplanes.

IMPORTANT ! : Backplanes may be installed horizontally or vertically depending on application. If installing vertically, make sure the levers are on the bottom, NOT the top.

Installing Lever Lock™ Backplanes

1. Partially install #10-24 x 1/4" Phillips screws with external tooth washers (D) into holes on sides of PAC box. (See Figure 1)
2. Slide each adapter (B) inside PAC box. (See Figure 1)
3. Tighten #10-24 x 1/4" Phillips screws with external tooth washers (D) to secure adapter (B) to PAC box. (See Figure 1)

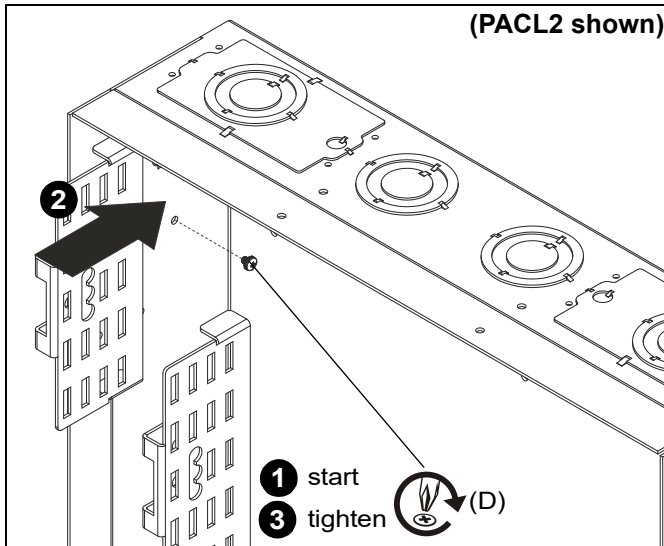


Figure 1

4. Slide Lever Lock™ backplanes (A) into adapter (B) slots on one side of PAC box. (See Figure 2)

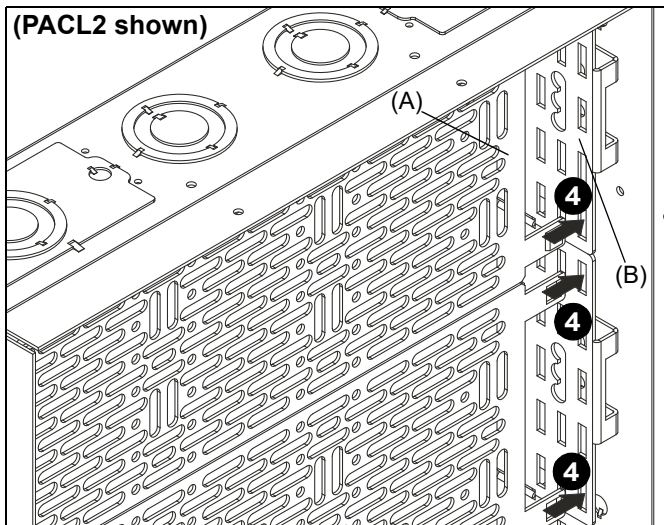


Figure 2

5. Slide Lever Lock™ backplanes (A) into adapter (B) slots on opposite side, making sure they "click" into place. (See Figure 3)

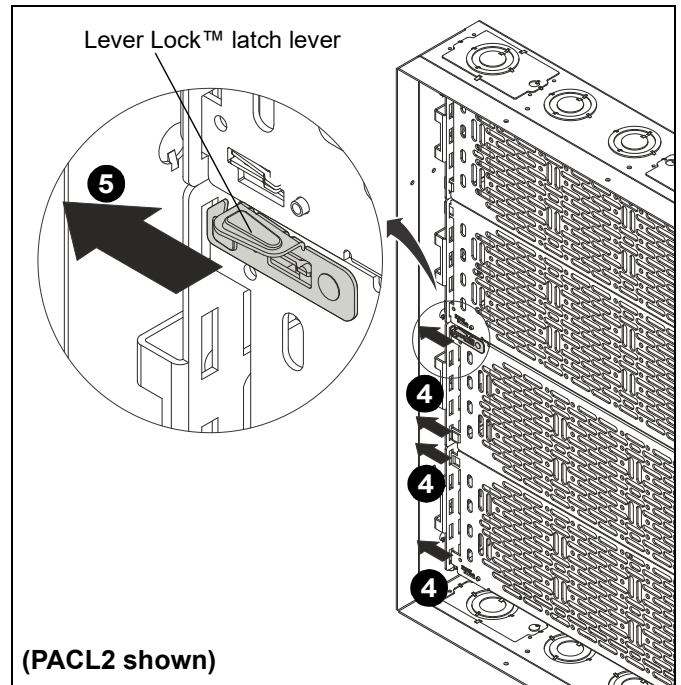


Figure 3

6. (PACL2 only) If required, break the LeverLock™ backplanes (A) along the scored mid-line. (See Figure 4)

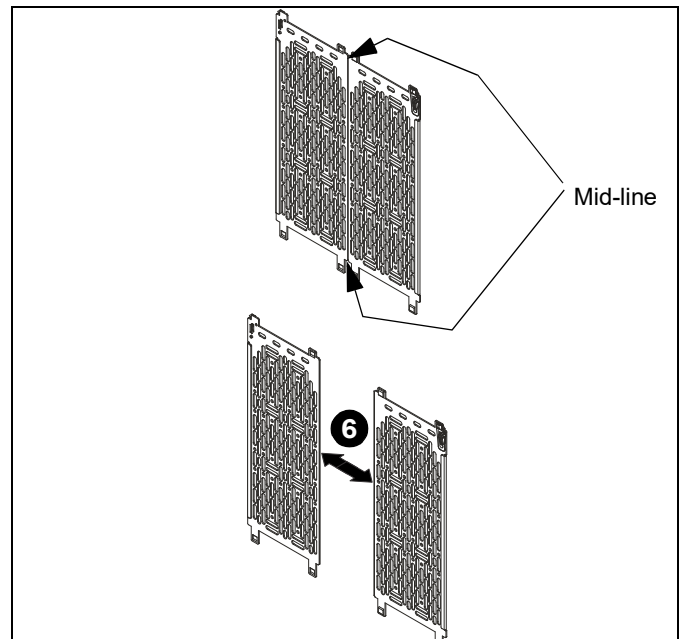


Figure 4

7. Attach components to Lever Lock™ backplanes (B) following component manufacturer's instructions. See templates on pages 9-10 for dimension details.

Backplane Removal

1. Push down on Lever Lock latch lever on backplane (A). (See Figure 5)
2. Pull backplane (A) out of adapter hole. (See Figure 5)
3. Remove backplane (A) from PAC box. (See Figure 5)

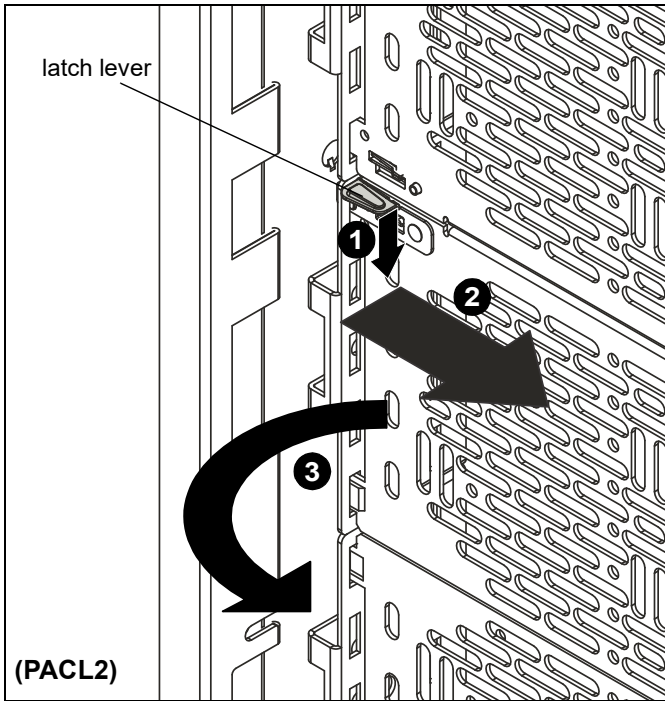


Figure 5

Drill Retro-fit Holes

1. Refer to Retrofit holes template for PACL1 on page 7 and for PACL2 on page 8. If desired, these pages may be printed on 11 x 17 paper to create a paper template to use.
2. Drill 3/16" holes at locations shown on templates. (See Figure 6) or (See Figure 7)

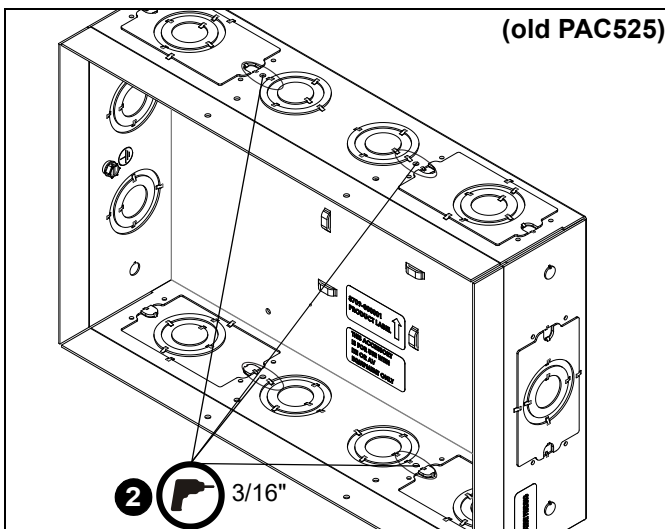


Figure 6

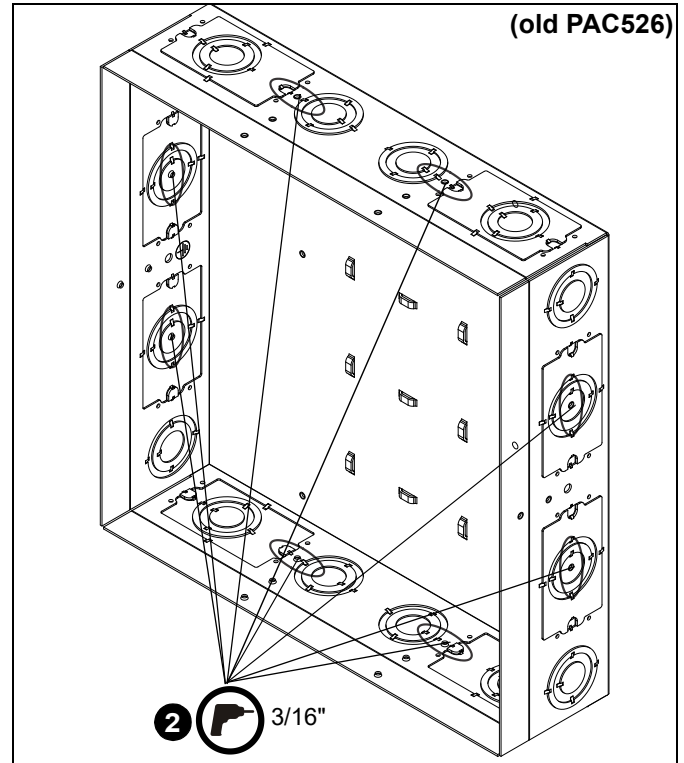


Figure 7

3. Use #10-24 x 5/8" screws (C) to create threaded holes at drilled locations. (See Figure 8)
4. Remove #10-24 x 5/8" screws (C) after holes have been created. (See Figure 8)

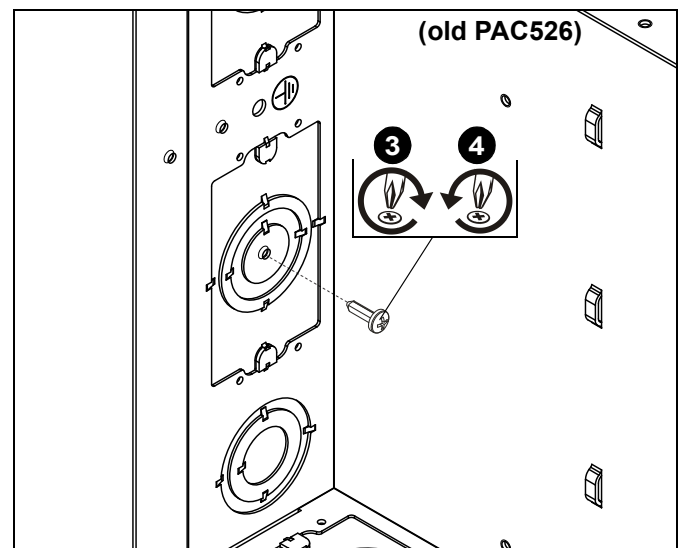
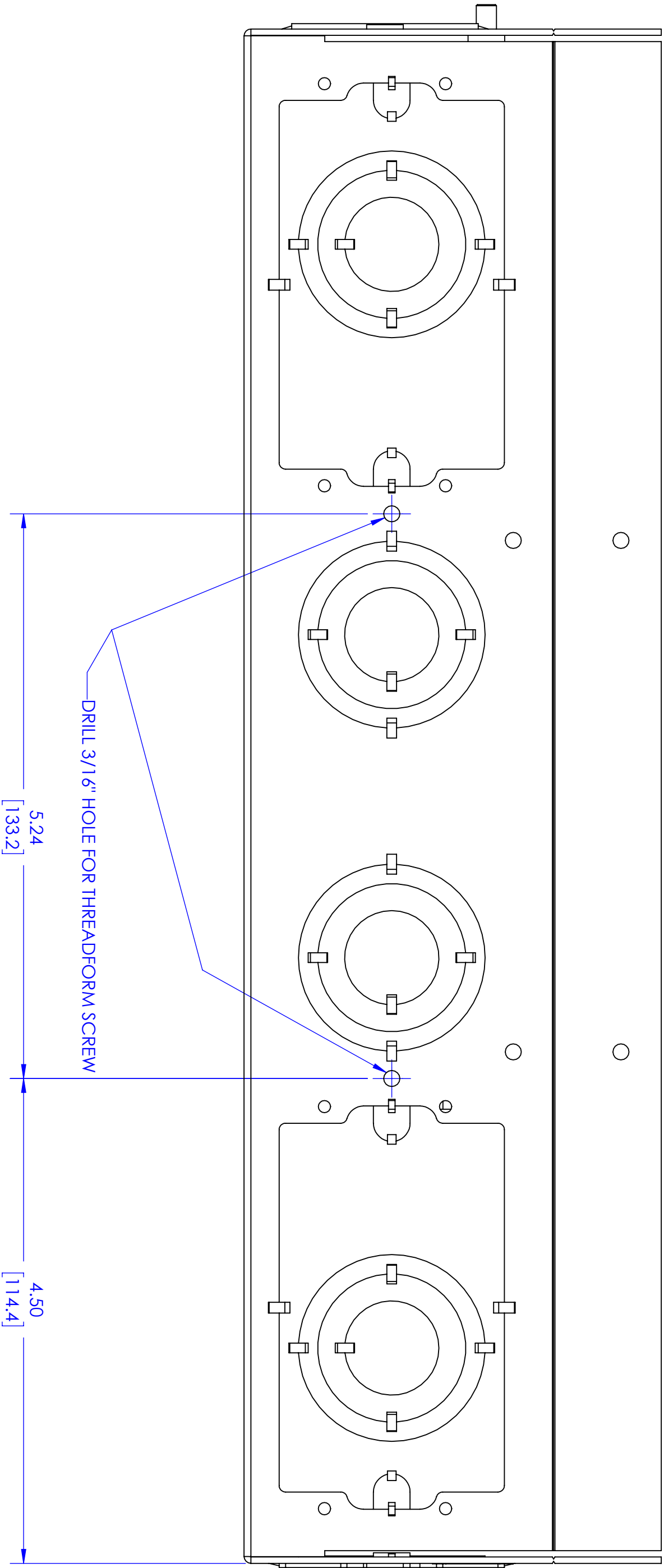


Figure 8

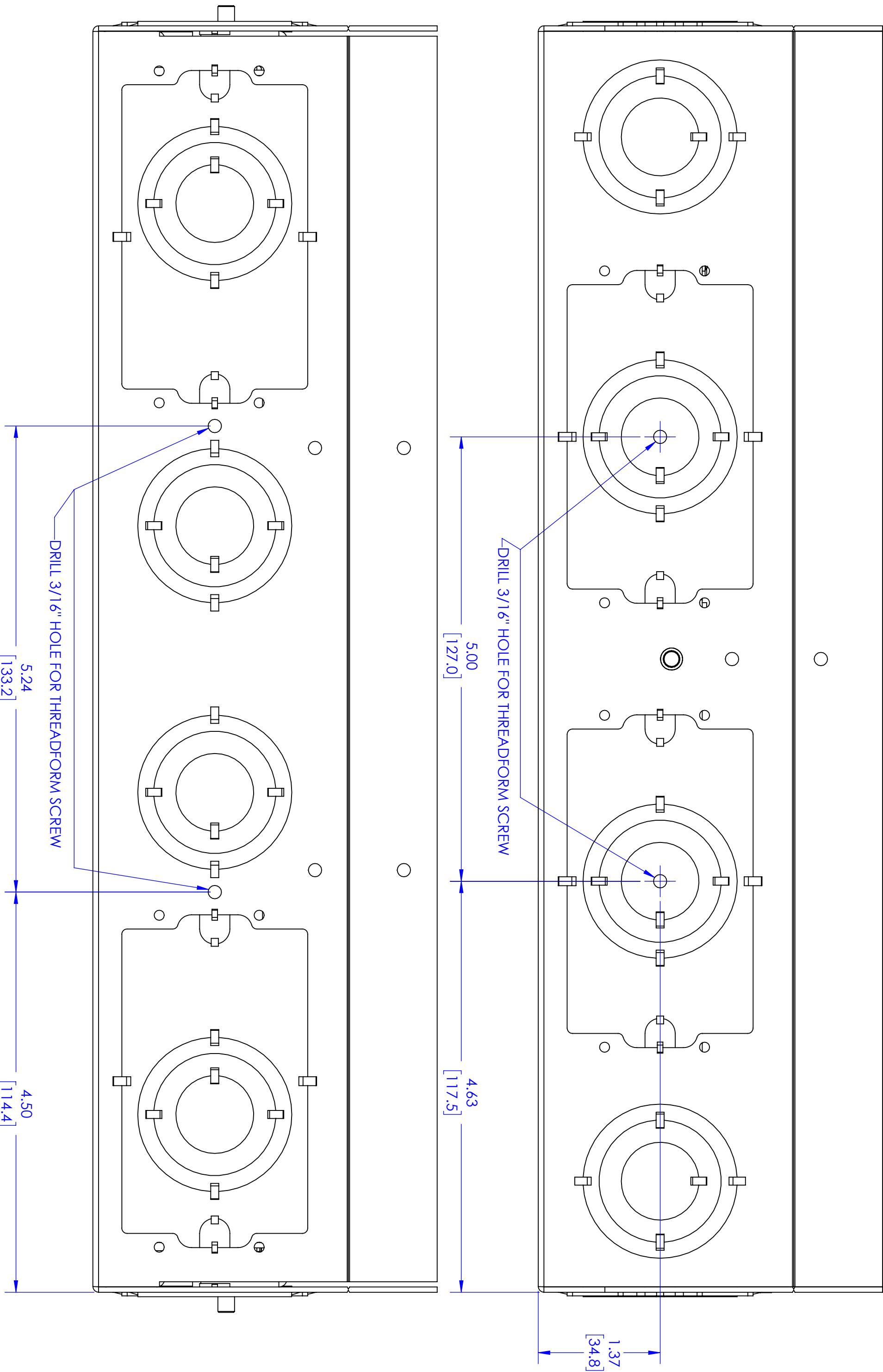
5. Proceed to "Installing LeverLock™ backplanes" Section.

PAC525

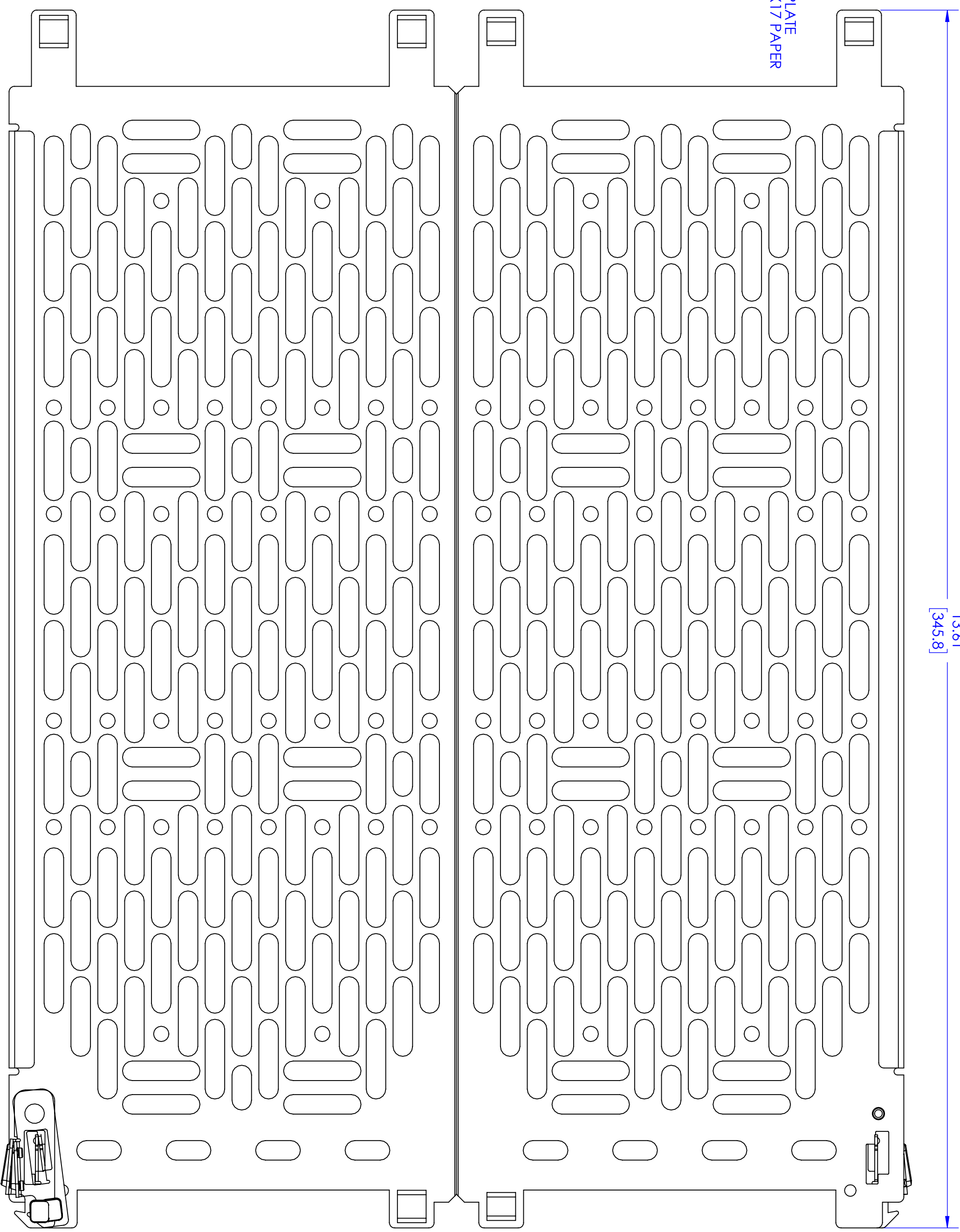


RETROFIT DRILL TEMPLATE
PRINT 1:1 ON 11X17 PAPER

PAC526

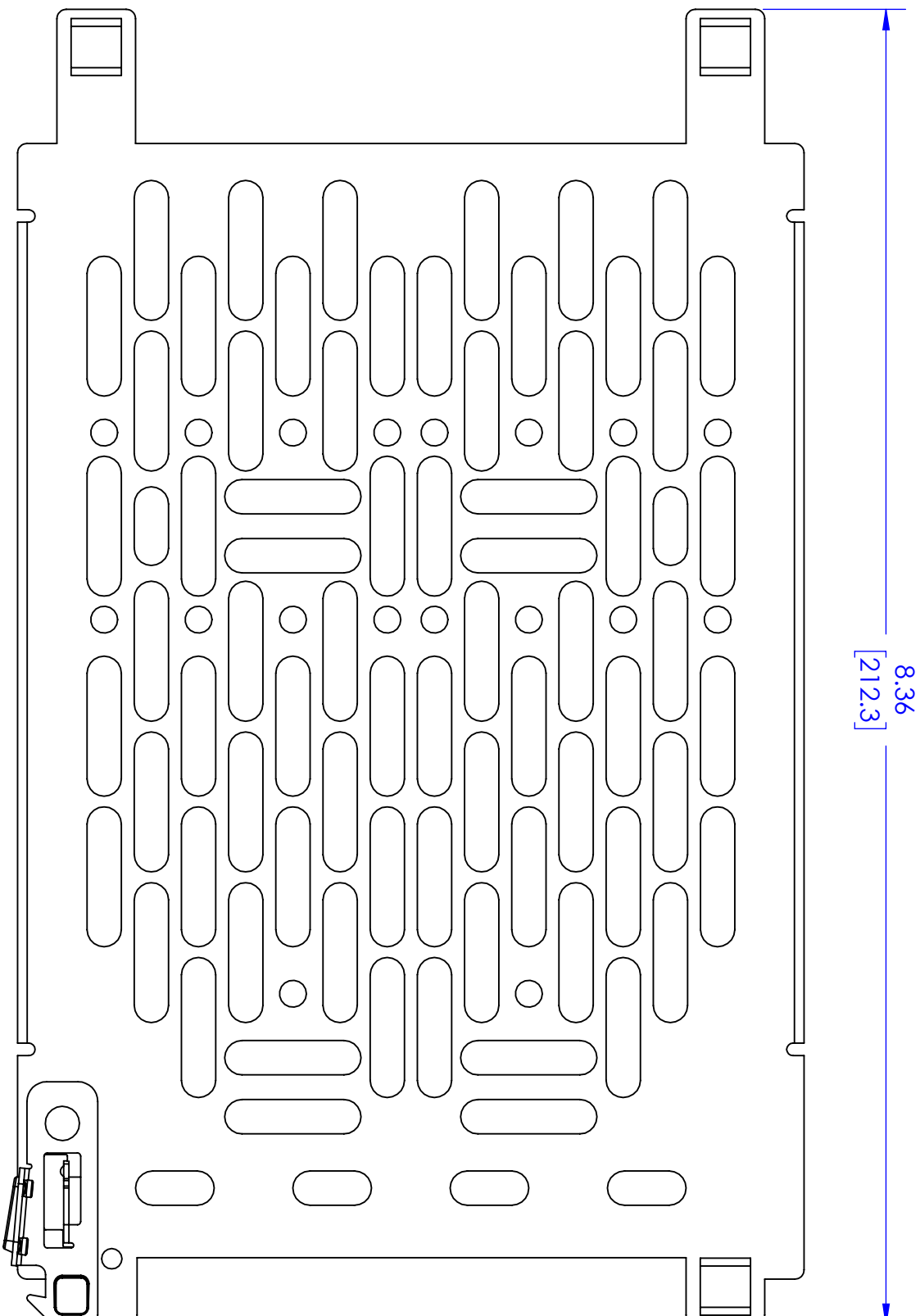


PANEL TEMPLATE
PRINT 1:1 ON 11X17 PAPER



13.61
[345.8]

PANEL TEMPLATE
PRINT 1:1 ON 11X17 PAPER





A brand of  **legrand**

8800-003179 Rev00
©2020 Legrand | AV
www.legrandav.com
06/20

USA/International	A 6436 City West Parkway, Eden Prairie, MN 55344 P 800.582.6480 / 952.225.6000 F 877.894.6918 / 952.894.6918
Europe	A Franklinstraat 14, 6003 DK Weert, Netherlands P +31 (0) 495 580 852 F +31 (0) 495 580 845
Asia Pacific	A Office No. 918 on 9/F, Shatin Galleria 18-24 Shan Mei Street Fotan, Shatin, Hong Kong P 852 2145 4099 F 852 2145 4477

