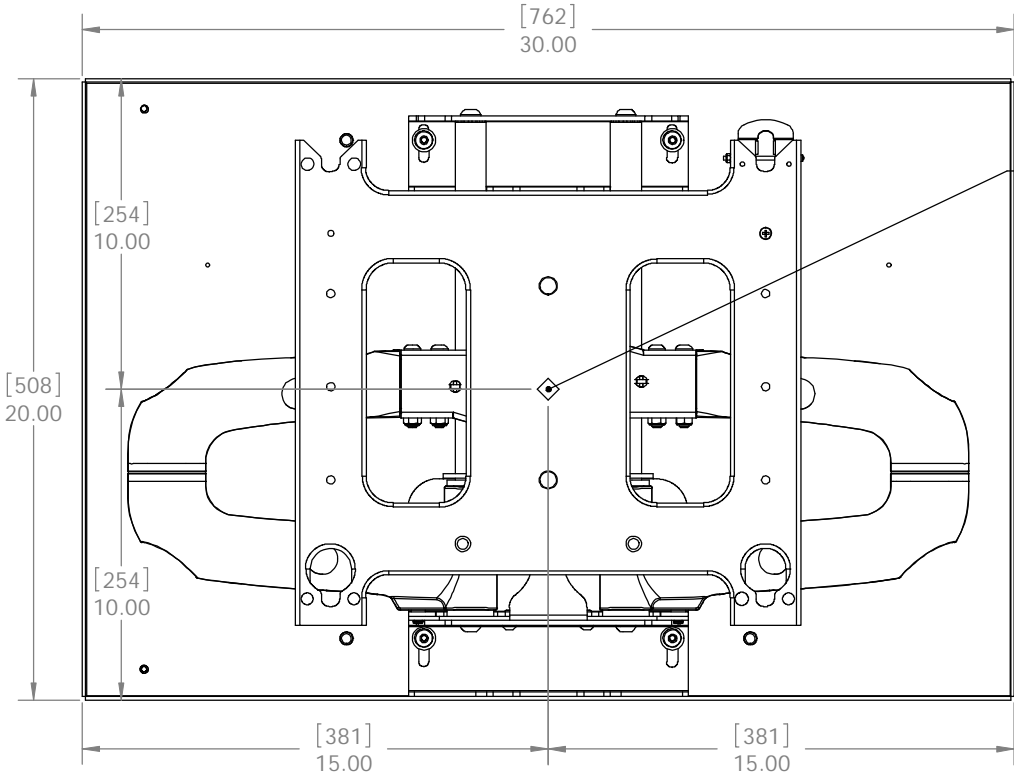


# PNRIW SHOWN IN PAC-501 WHICH MUST BE ORDERED SEPARATELY

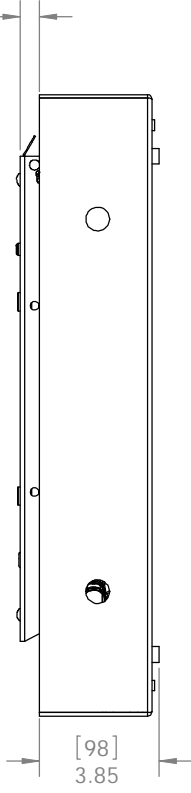
NOTE: CUSTOM INTERFACE BRACKET NOT SHOWN. THE CUSTOM INTERFACE BRACKET NEEDED FOR YOUR DISPLAY WILL ADD BETWEEN 1/2" AND 2" IN DEPTH AND MAY AFFECT THE LOCATION OF THE DISPLAY ON THE MOUNT.

SEE PSB-XXXX DRAWING ALSO



C/L OF 14" MOUNTING PATTERN

[16]  
.62  
ADDED DEPTH  
WHEN RETRACTED



CHIEF MANUFACTURING INC.  
MOUNT ORDER NUMBER IS PNRIW  
PHONE: 1-800-582-6480

SHEET SCALE = 1:4

THE INFORMATION AND DESIGNS CONTAINED IN THIS DRAWING ARE CONFIDENTIAL AND THE PROPRIETARY PROPERTY OF CHIEF MFG., INC. NEITHER THIS DESIGN NOR ANY INFORMATION CONTAINED IN THIS DRAWING MAY BE REPRODUCED OR DISCLOSED TO OTHERS WITHOUT THE EXPRESS WRITTEN CONSENT OF CHIEF MFG., INC.

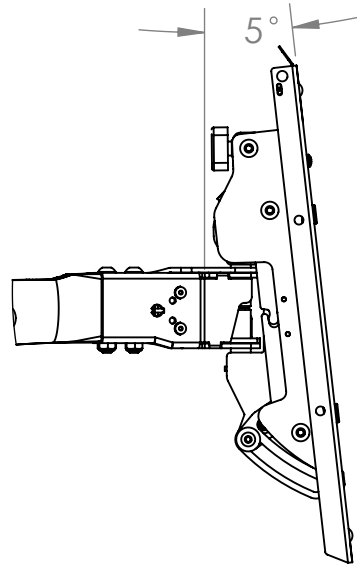
**CHIEF**  
8401 EAGLE CREEK PKY  
SUITE #700  
SAVAGE, MN 55378  
PHONE: 952-894-6280  
FAX: 877-694-6918

TITLE  
**CUSTOMER PRINT  
PNRIW**

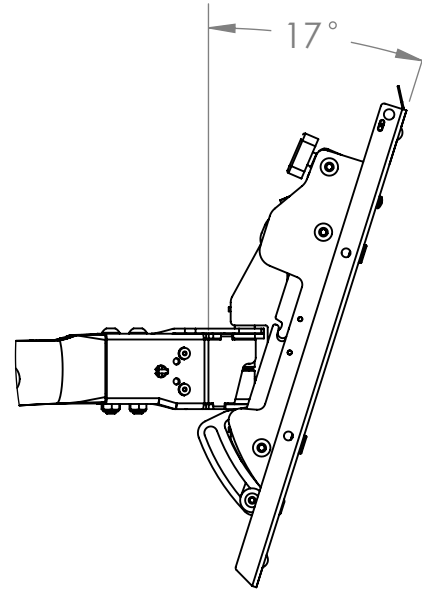
SIZE DWG. NO.  
B PNRIW

TILT ADJUSTMENT

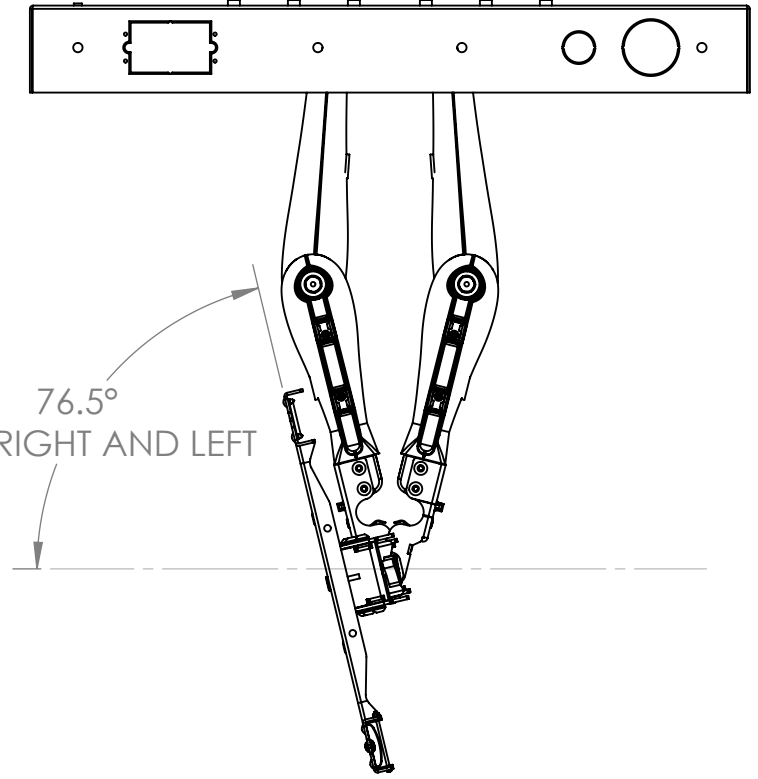
TILTED UP



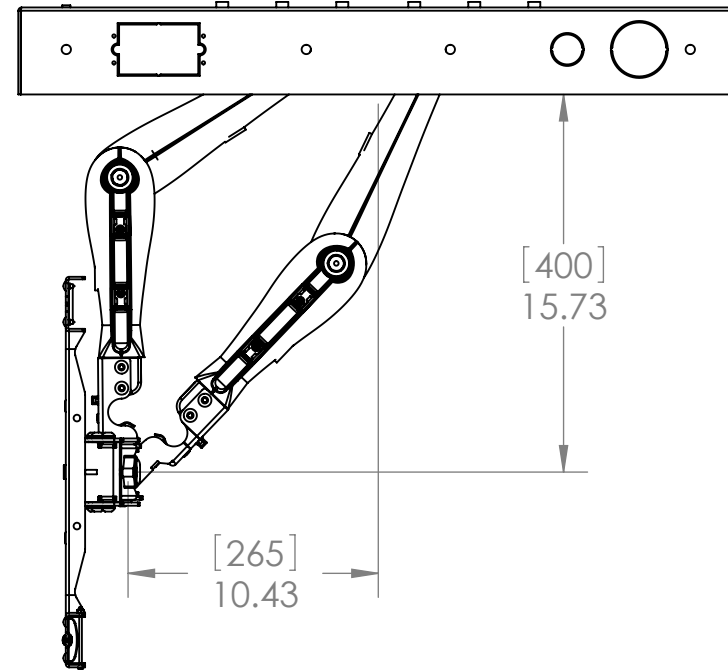
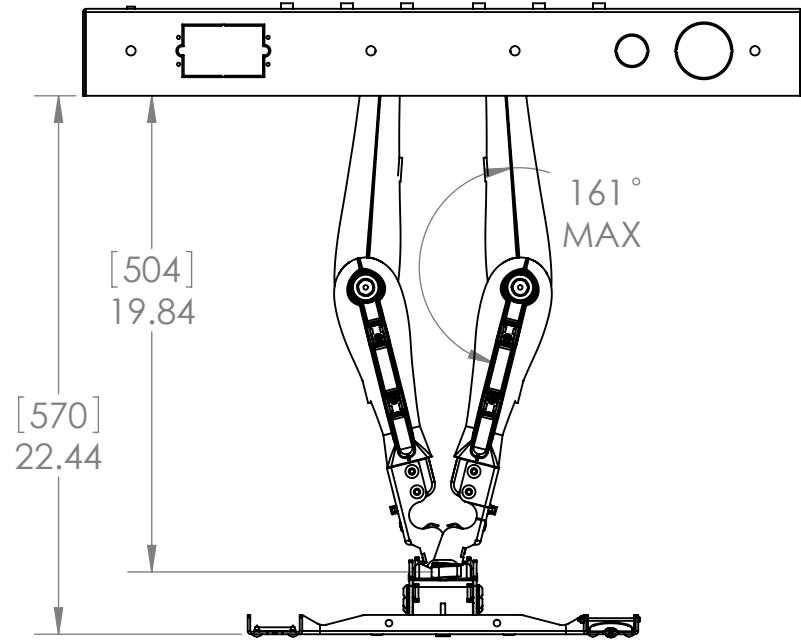
TILTED DOWN



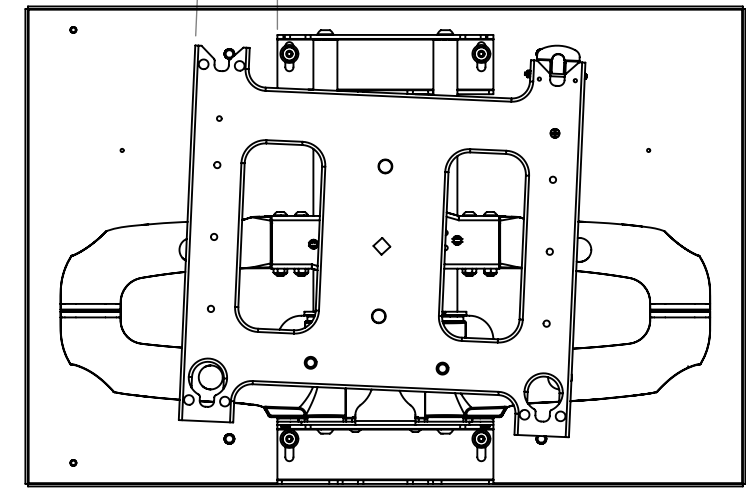
76.5°  
MAX RIGHT AND LEFT



161°  
MAX



2°



ROLL ADJUSTMENT



**CHIEF MANUFACTURING INC.**  
MOUNT ORDER NUMBER IS PNRIW  
PHONE: 1-800-582-6480

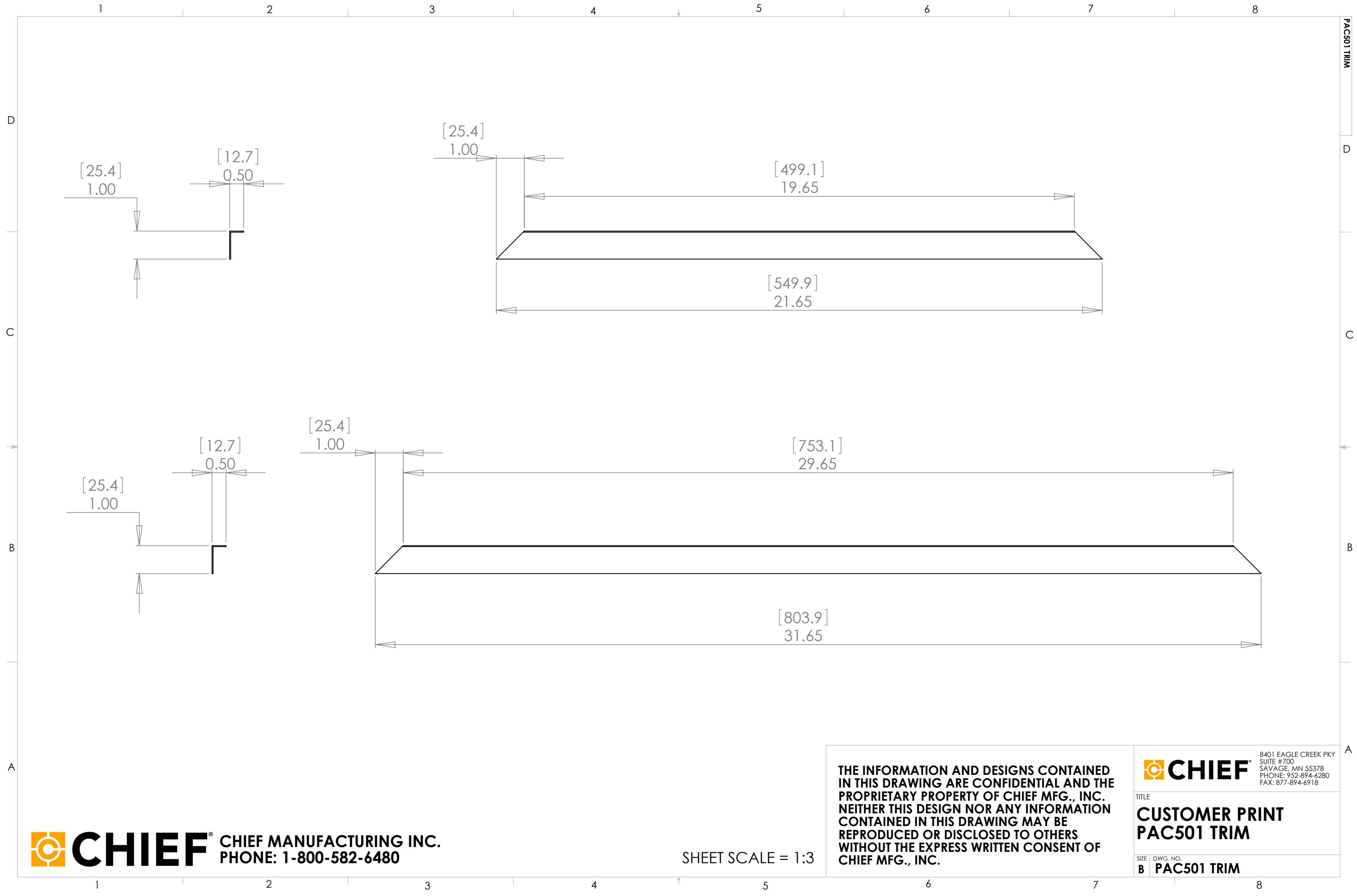
THE INFORMATION AND DESIGNS CONTAINED IN THIS DRAWING ARE CONFIDENTIAL AND THE PROPRIETARY PROPERTY OF CHIEF MFG., INC. NEITHER THIS DESIGN NOR ANY INFORMATION CONTAINED IN THIS DRAWING MAY BE REPRODUCED OR DISCLOSED TO OTHERS WITHOUT THE EXPRESS WRITTEN CONSENT OF CHIEF MFG., INC.



8401 EAGLE CREEK PKY  
SUITE #700  
SAVAGE, MN 55378  
PHONE: 952-894-6280  
FAX: 877-894-6918

TITLE  
**CUSTOMER PRINT  
PNRIW**

SIZE | DWG. NO.  
**B | PNRIW**



THE INFORMATION AND DESIGNS CONTAINED IN THIS DRAWING ARE CONFIDENTIAL AND THE PROPRIETARY PROPERTY OF CHIEF MFG., INC. NEITHER THIS DESIGN NOR ANY INFORMATION CONTAINED IN THIS DRAWING MAY BE REPRODUCED OR DISCLOSED TO OTHERS WITHOUT THE EXPRESS WRITTEN CONSENT OF CHIEF MFG., INC.