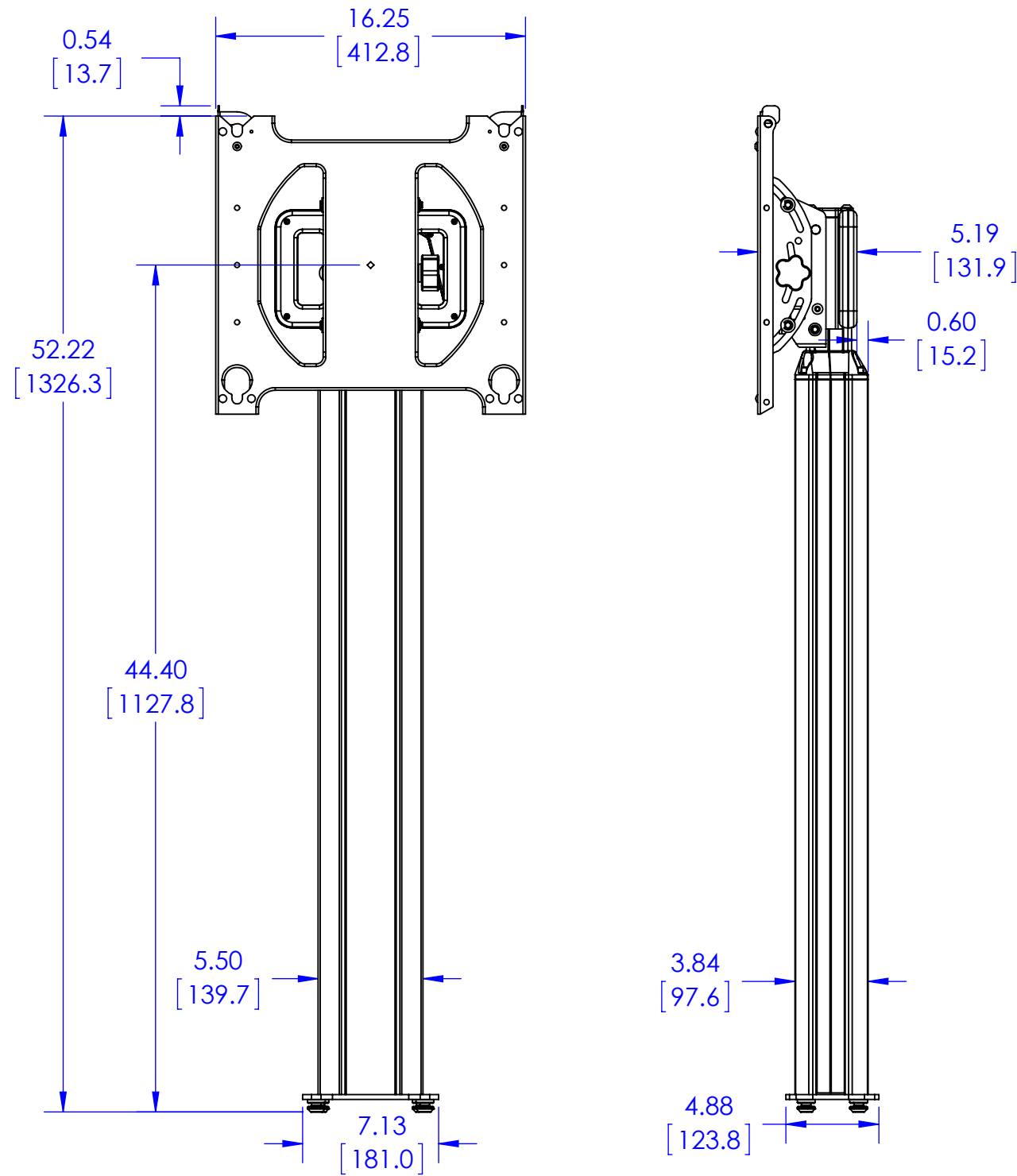


WEIGHT CAPACITY: 200 LBS (90.7 KG)

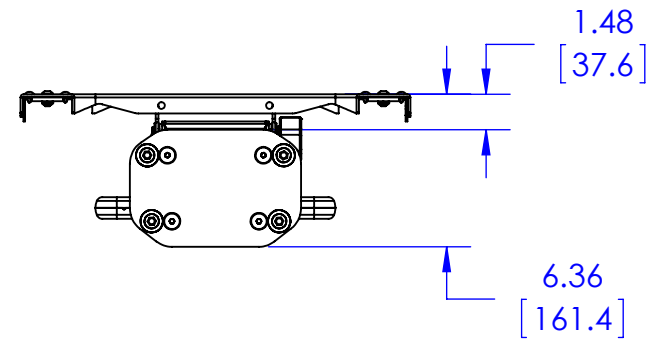
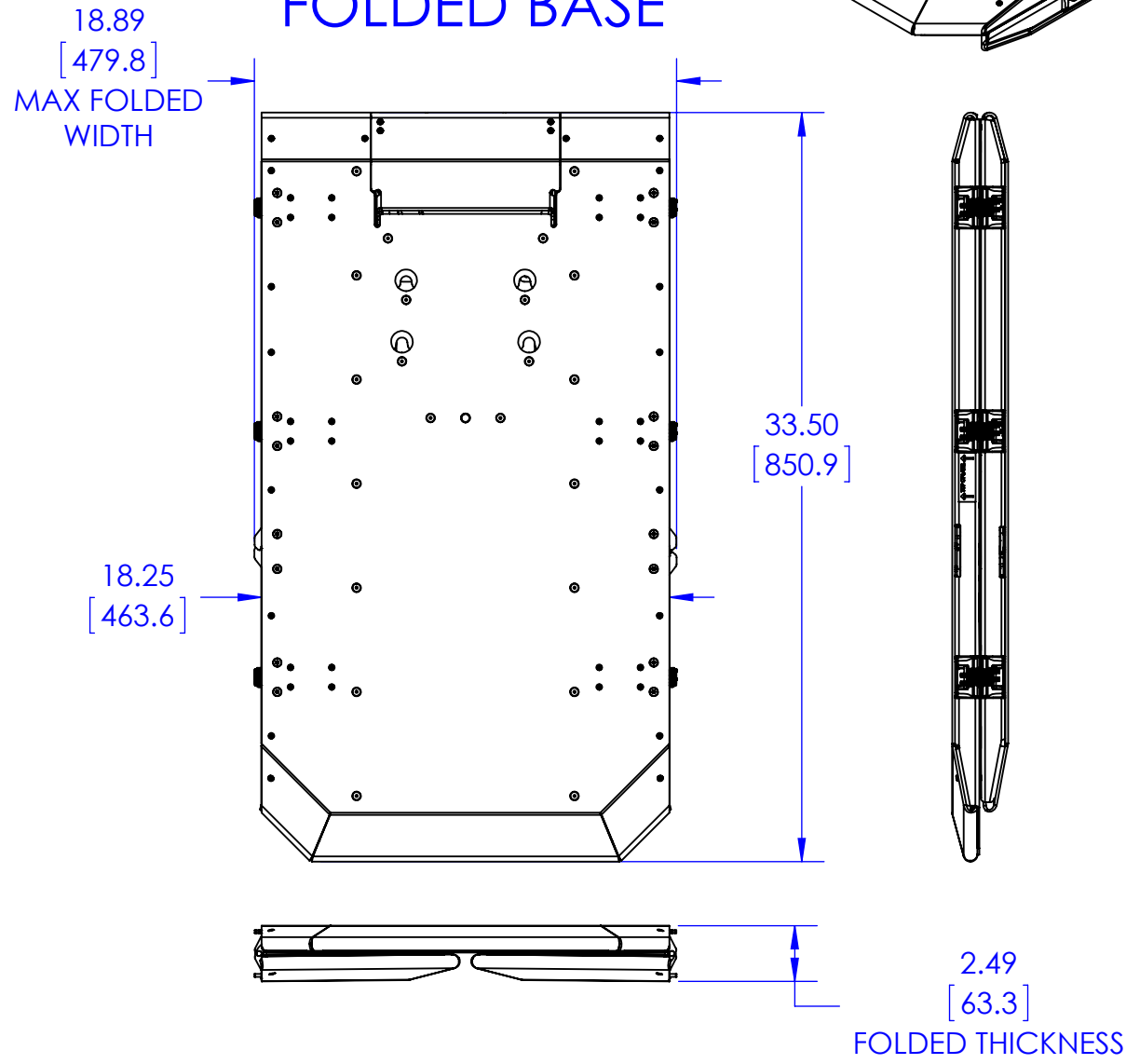
THE INFORMATION AND DESIGNS CONTAINED IN THIS DRAWING ARE CONFIDENTIAL AND THE PROPRIETARY PROPERTY OF MILESTONE AV TECHNOLOGIES NEITHER THIS DESIGN NOR ANY INFORMATION CONTAINED IN THIS DRAWING MAY BE REPRODUCED OR DISCLOSED TO OTHERS WITHOUT THE EXPRESS WRITTEN CONSENT OF MILESTONE AV TECHNOLOGIES.

CAD GENERATED DRAWING, DO NOT MANUALLY UPDATE.			6436 CITY WEST PKWY EDEN PRAIRIE MN, 55344 PHONE: 866-977-3901 FAX: 877-894-6918	
DRAWN BY	MJS	10/26/2016		
ENG APPROVAL	MJS	10/26/2016	DESCRIPTION PRSU TECH DRAWING	
MFG APPROVAL				
QA APPROVAL			MODEL NO. PRSU	
SHEET 1 OF 2		SCALE 1:12		
			REV. 02	

DETACHED COLUMN



FOLDED BASE



THE INFORMATION AND DESIGNS CONTAINED IN THIS DRAWING ARE CONFIDENTIAL AND THE PROPRIETARY PROPERTY OF MILESTONE AV TECHNOLOGIES NEITHER THIS DESIGN NOR ANY INFORMATION CONTAINED IN THIS DRAWING MAY BE REPRODUCED OR DISCLOSED TO OTHERS WITHOUT THE EXPRESS WRITTEN CONSENT OF MILESTONE AV TECHNOLOGIES.

CAD GENERATED DRAWING, DO NOT MANUALLY UPDATE.			6436 CITY WEST PKWY EDEN PRAIRIE MN, 55344 PHONE: 866-977-3901 FAX: 877-894-6918	
DRAWN BY	MJS	10/26/2016		
ENG APPROVAL	MJS	10/26/2016	DESCRIPTION PRSU TECH DRAWING	
MFG APPROVAL			MODEL NO. PRSU	
QA APPROVAL			SIZE B	DWG. NO. TECH-000816
SHEET 2 OF 2		SCALE 1:8	REV. 02	