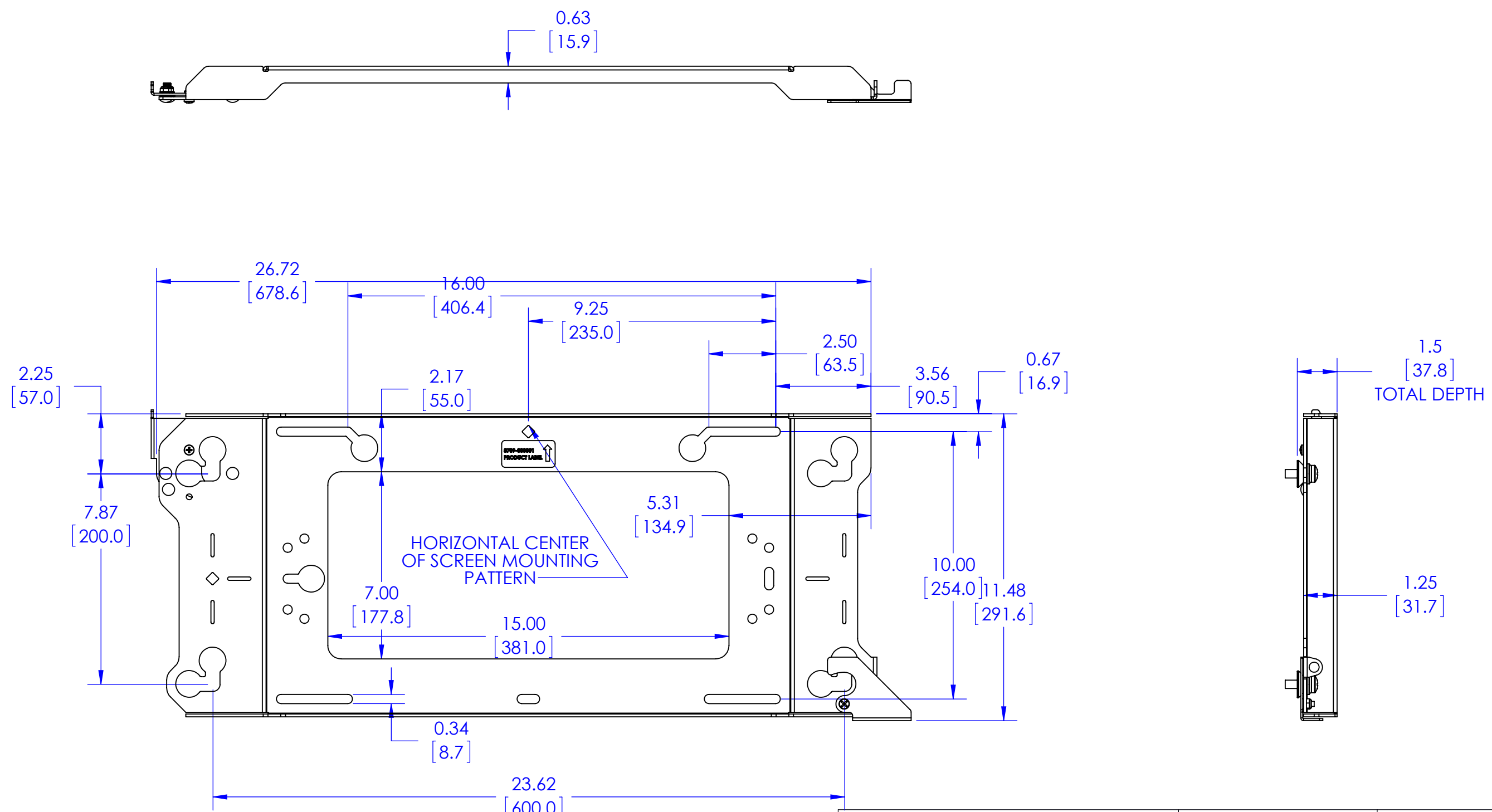
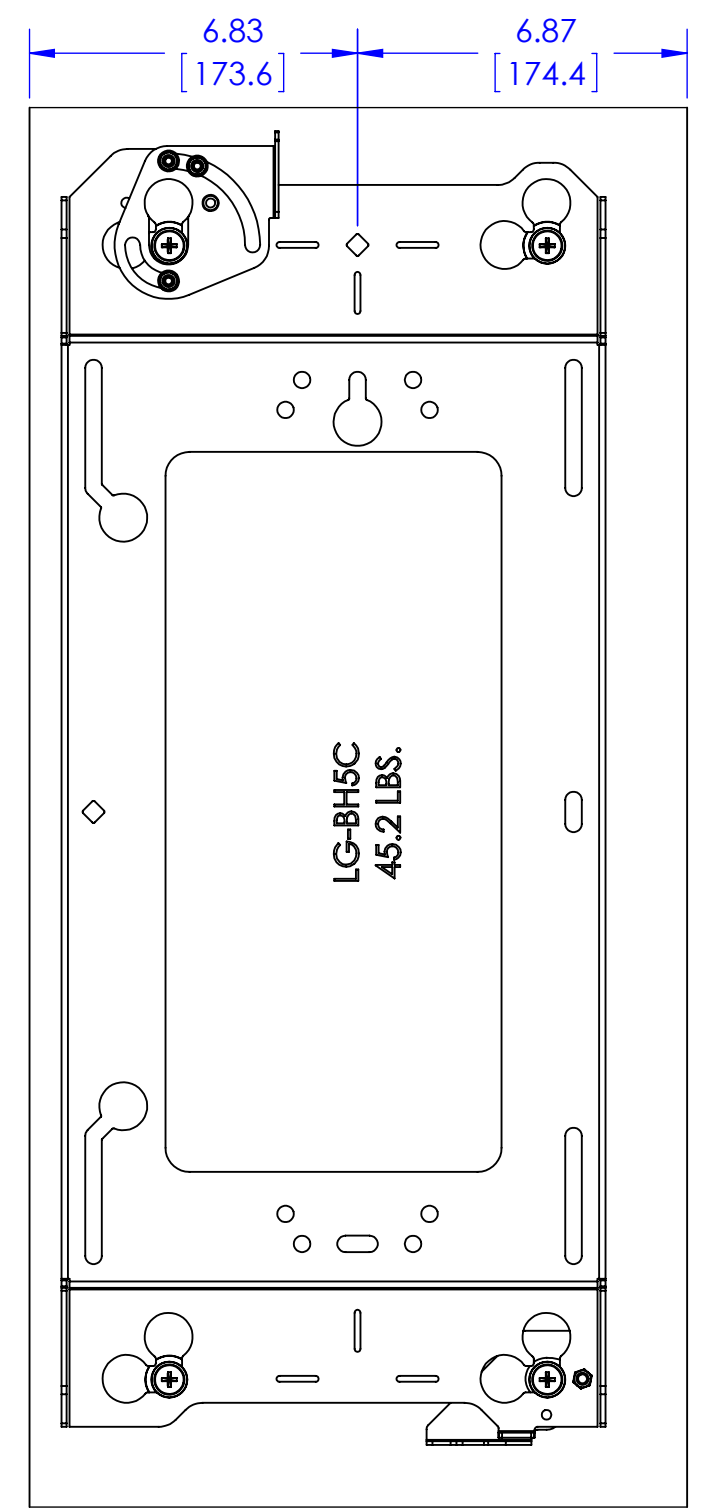
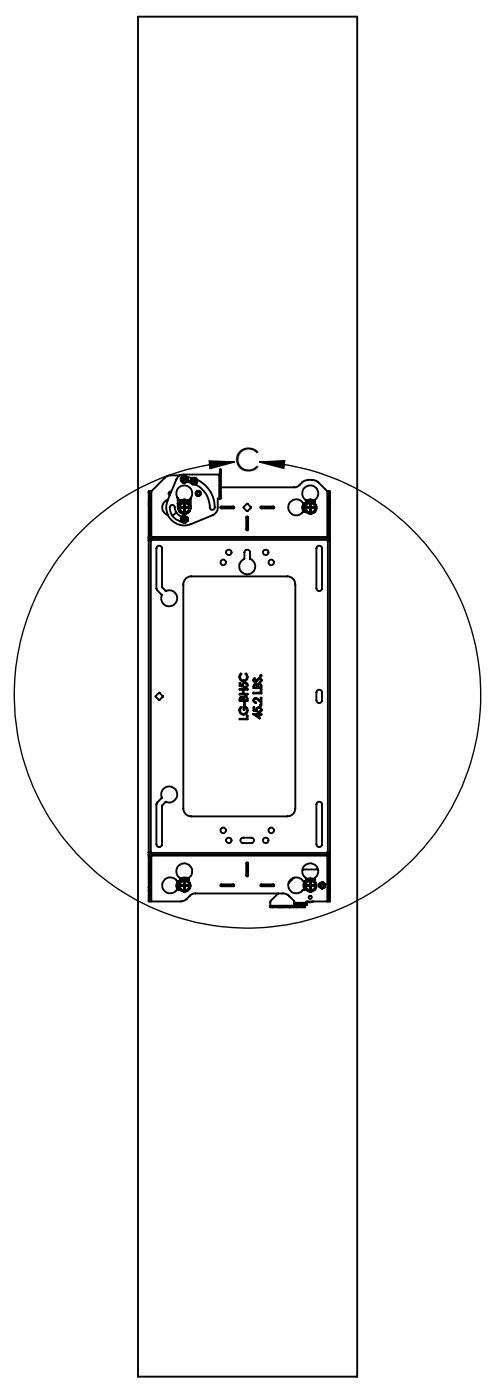
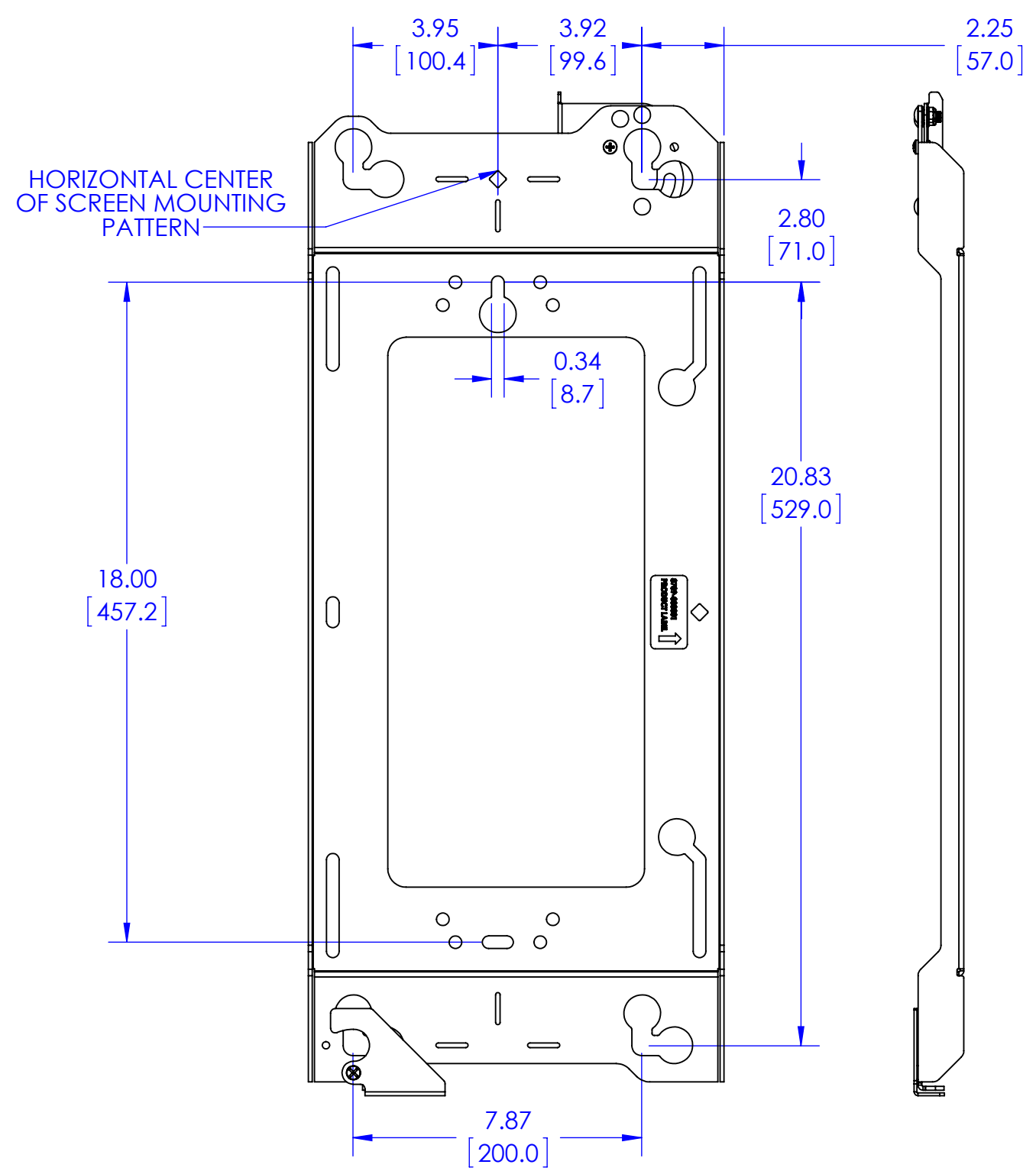


# LANDSCAPE ORIENTATION SET-UP



THE INFORMATION AND DESIGNS CONTAINED IN THIS DRAWING ARE CONFIDENTIAL AND THE PROPRIETARY PROPERTY OF MILESTONE AV TECHNOLOGIES NEITHER THIS DESIGN NOR ANY INFORMATION CONTAINED IN THIS DRAWING MAY BE REPRODUCED OR DISCLOSED TO OTHERS WITHOUT THE EXPRESS WRITTEN CONSENT OF MILESTONE AV TECHNOLOGIES.

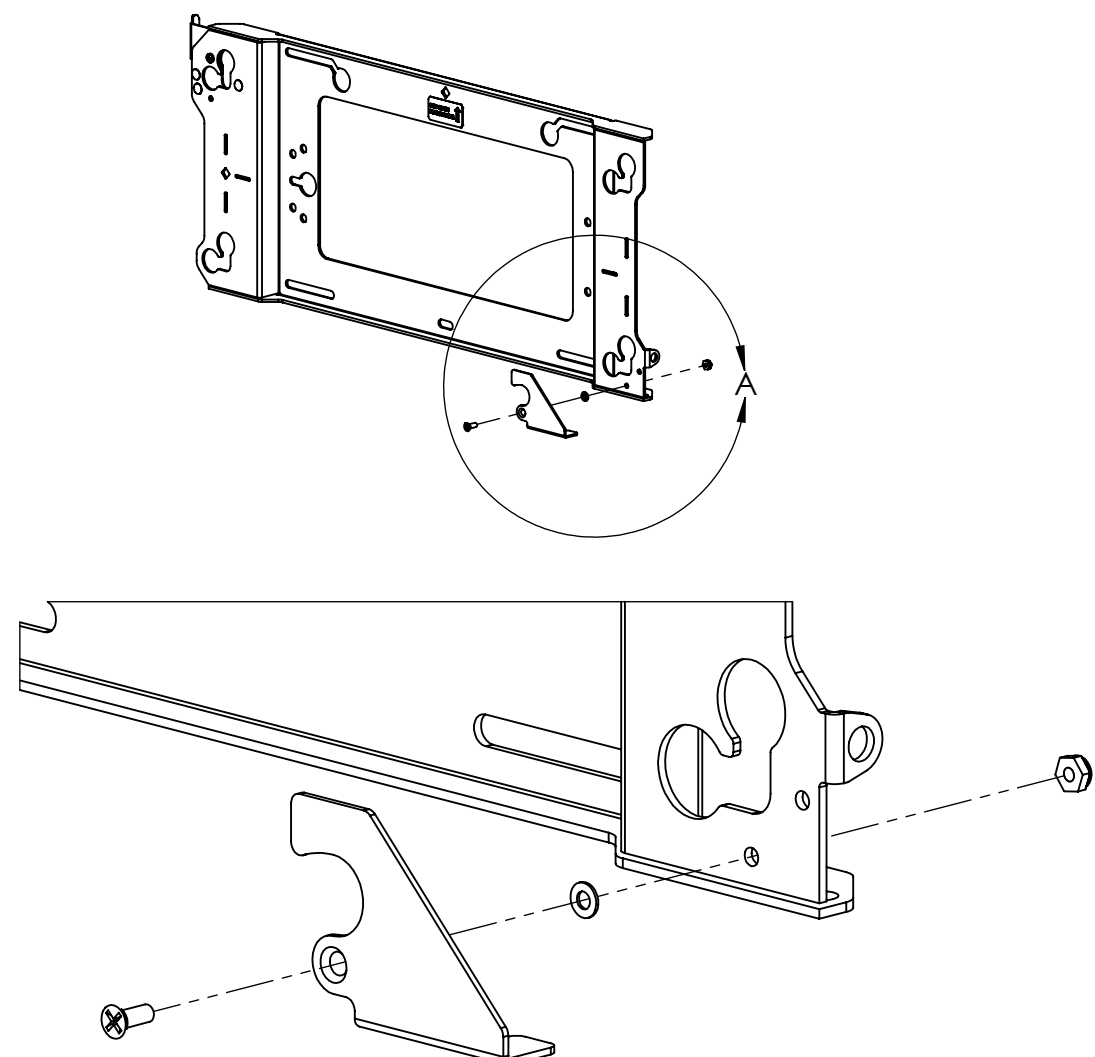
CAD GENERATED DRAWING, DO NOT MANUALLY UPDATE.			<b>CHIEF</b>		6436 CITY WEST PKWY EDEN PRAIRIE MN, 55344 PHONE: 866-977-3901 FAX: 877-894-6918
DRAWN BY	JAB	3/28/2016	DESCRIPTION		
ENG APPROVAL			LG SUPERSTRETCH MOUNT		
MFG APPROVAL			MODEL NO.		
QA APPROVAL			PSMH2860		
SHEET 1 OF 3		SCALE	SIZE	DWG. NO.	REV.
		1:4	B	TECH-000833	00



DETAIL C

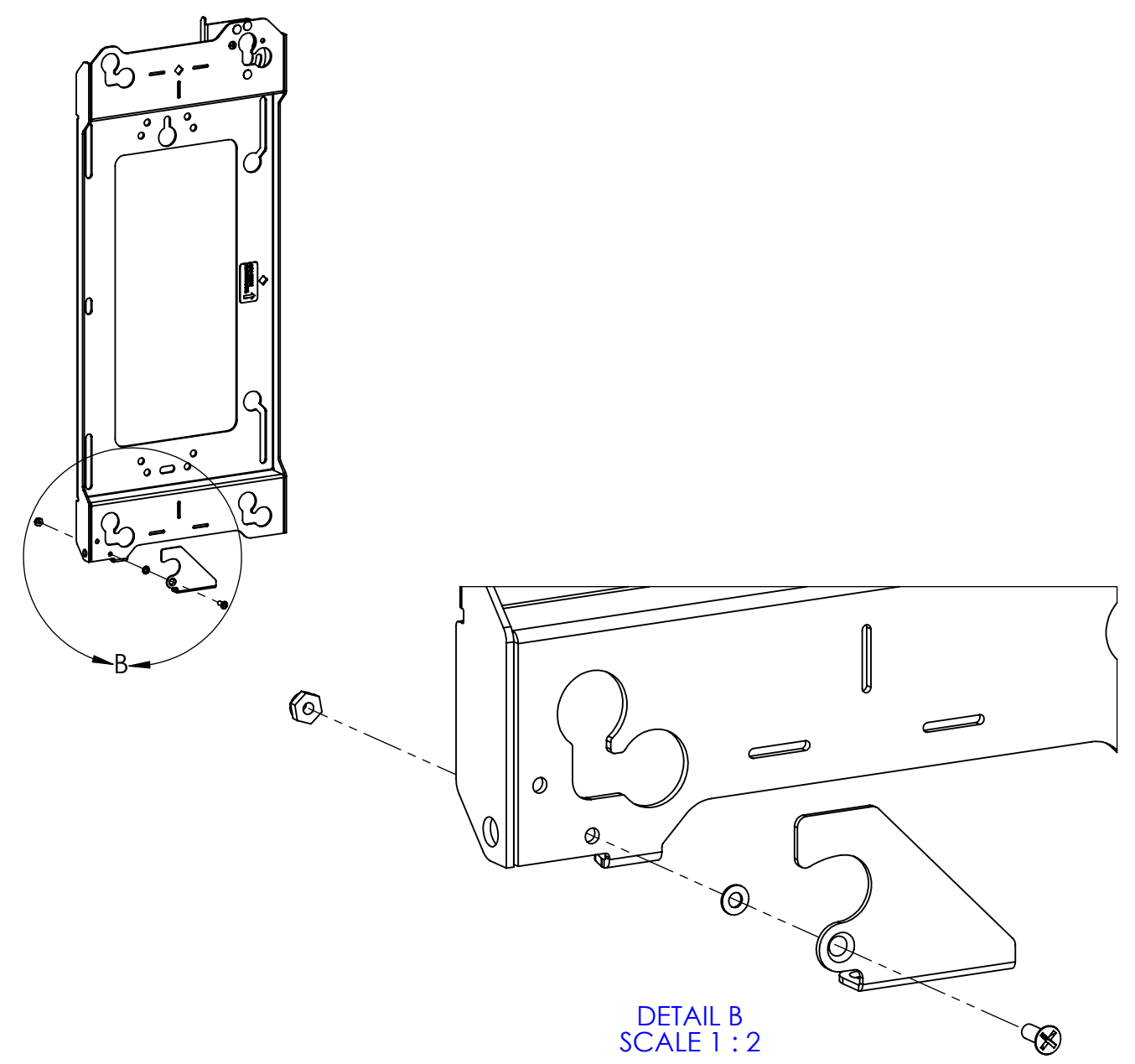
THE INFORMATION AND DESIGNS CONTAINED IN THIS DRAWING ARE CONFIDENTIAL AND THE PROPRIETARY PROPERTY OF MILESTONE AV TECHNOLOGIES NEITHER THIS DESIGN NOR ANY INFORMATION CONTAINED IN THIS DRAWING MAY BE REPRODUCED OR DISCLOSED TO OTHERS WITHOUT THE EXPRESS WRITTEN CONSENT OF MILESTONE AV TECHNOLOGIES.

CAD GENERATED DRAWING, DO NOT MANUALLY UPDATE.			6436 CITY WEST PKWY EDEN PRAIRIE MN, 55344 PHONE: 866-977-3901 FAX: 877-894-6918	
DRAWN BY	JAB	3/28/2016		
ENG APPROVAL			DESCRIPTION	
MFG APPROVAL			LG SUPERSTRETCH MOUNT	
QA APPROVAL			MODEL NO.	
SHEET 2 OF 3			SCALE	1:4
			SIZE	B
			DWG. NO.	TECH-000833
			REV.	00



DETAIL A  
SCALE 1 : 2

**LATCH ATTACH FOR  
LANDSCAPE USE**



DETAIL B  
SCALE 1 : 2

**LATCH ATTACH FOR  
PORTRAIT USE**

THE INFORMATION AND DESIGNS CONTAINED IN THIS DRAWING ARE CONFIDENTIAL AND THE PROPRIETARY PROPERTY OF MILESTONE AV TECHNOLOGIES NEITHER THIS DESIGN NOR ANY INFORMATION CONTAINED IN THIS DRAWING MAY BE REPRODUCED OR DISCLOSED TO OTHERS WITHOUT THE EXPRESS WRITTEN CONSENT OF MILESTONE AV TECHNOLOGIES.

CAD GENERATED DRAWING, DO NOT MANUALLY UPDATE.			<b>CHIEF</b> 6436 CITY WEST PKWY EDEN PRAIRIE MN, 55344 PHONE: 866-977-3901 FAX: 877-894-6918
DRAWN BY	JAB	3/28/2016	
ENG APPROVAL			DESCRIPTION <b>LG SUPERSTRETCH MOUNT</b>
MFG APPROVAL			MODEL NO. <b>PSMH2860</b>
QA APPROVAL			SIZE DWG. NO. <b>B TECH-000833</b>
SHEET 3 OF 3		SCALE <b>1:8</b>	REV. <b>00</b>