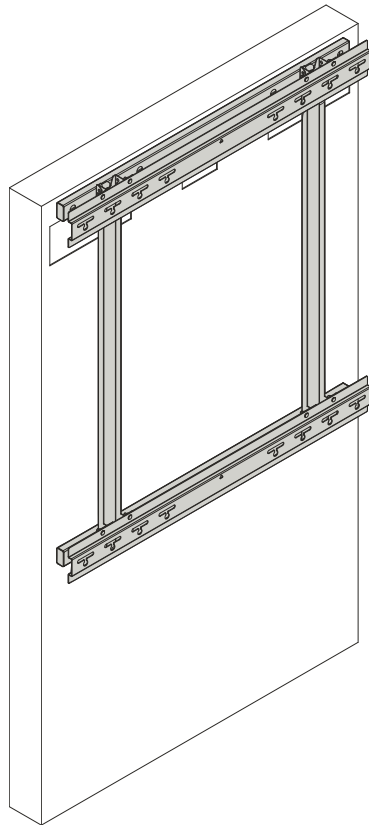


---

# INSTALLATION INSTRUCTIONS

---



---

## Large Flat Panel Static Wall Mount

---

## DISCLAIMER

Legrand | AV and its affiliated corporations and subsidiaries (collectively "Legrand | AV"), intend to make this manual accurate and complete. However, Legrand | AV makes no claim that the information contained herein covers all details, conditions or variations, nor does it provide for every possible contingency in connection with the installation or use of this product. The information contained in this document is subject to change without notice or obligation of any kind. Legrand | AV makes no representation of warranty, expressed or implied, regarding the information contained herein. Legrand | AV assumes no responsibility for accuracy, completeness or sufficiency of the information contained in this document.

## DEFINITIONS

**MOUNTING SYSTEM:** A MOUNTING SYSTEM is the primary Chief product to which an accessory and/or component is attached.

**ACCESSORY:** AN ACCESSORY is the secondary Chief product which is attached to a primary Chief product, and may have a component attached or setting on it.

**COMPONENT:** A COMPONENT is an audiovisual item designed to be attached or resting on an accessory or mounting system such as a video camera, CPU, screen, display, projector, etc.



**WARNING:** A WARNING alerts you to the possibility of serious injury or death if you do not follow the instructions.



**CAUTION:** A CAUTION alerts you to the possibility of damage or destruction of equipment if you do not follow the corresponding instructions.



## IMPORTANT SAFETY INSTRUCTIONS



**WARNING:** Failure to read, thoroughly understand, and follow all instructions can result in serious personal injury, damage to equipment, or voiding of factory warranty! It is the installer's responsibility to make sure the mounting system is properly assembled and installed using the instructions provided.



**WARNING:** Failure to provide adequate structural strength for this mounting system can result in serious personal injury or damage to equipment! It is the installer's responsibility to make sure the structure to which this mounting system is attached can support five times the combined weight of all equipment. Reinforce the structure as required before installing the mounting system.



**WARNING:** Exceeding the weight capacity can result in serious personal injury or damage to equipment! It is the installer's responsibility to make sure the weight of the screen does not exceed 400 lbs (181.4 kg).



**WARNING:** Use this mounting system only for its intended use as described in these instructions. Do not use attachments not recommended by the manufacturer.



**WARNING:** Never operate this mounting system if it is damaged. Return the mounting system to a service center for examination and repair.



**WARNING:** Do not use this product outdoors.

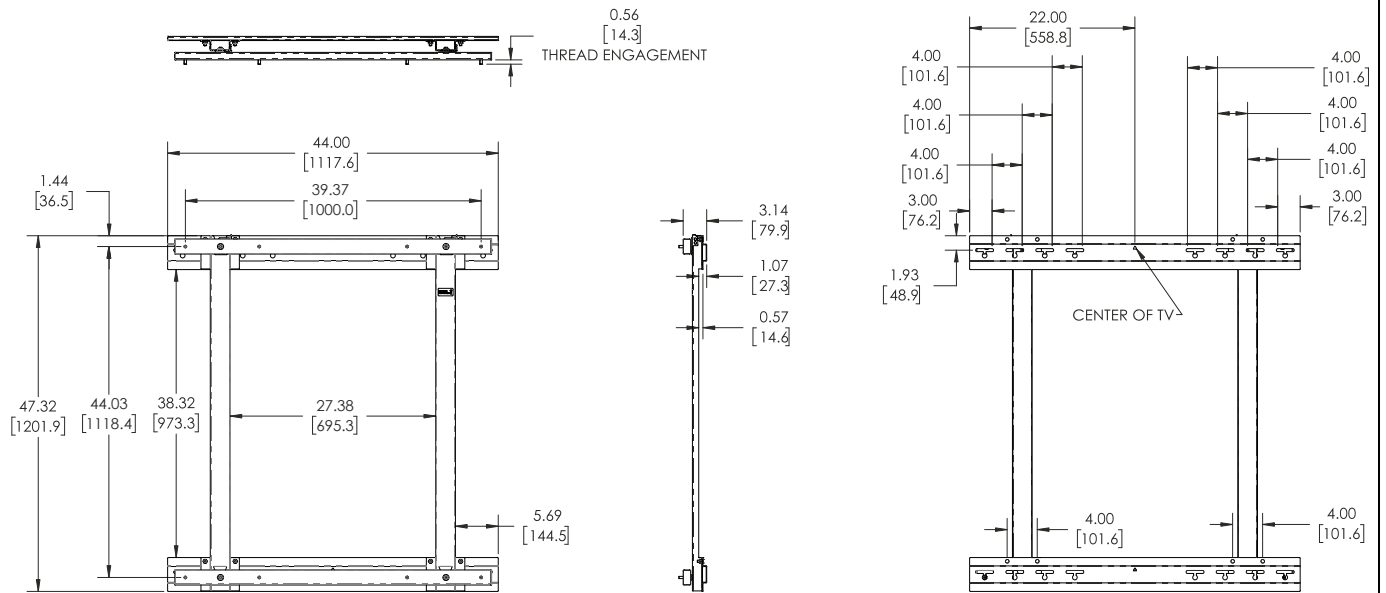
**IMPORTANT ! :** The PSMH2089/2146 mounts are designed to be attached to:

- a bare 8" concrete or 8"x8"x16" concrete block wall, or
- a 2" x 4" wood studs wall covered by drywall with maximum thickness of 5/8". Wood studs may be 16" or 24" on center.

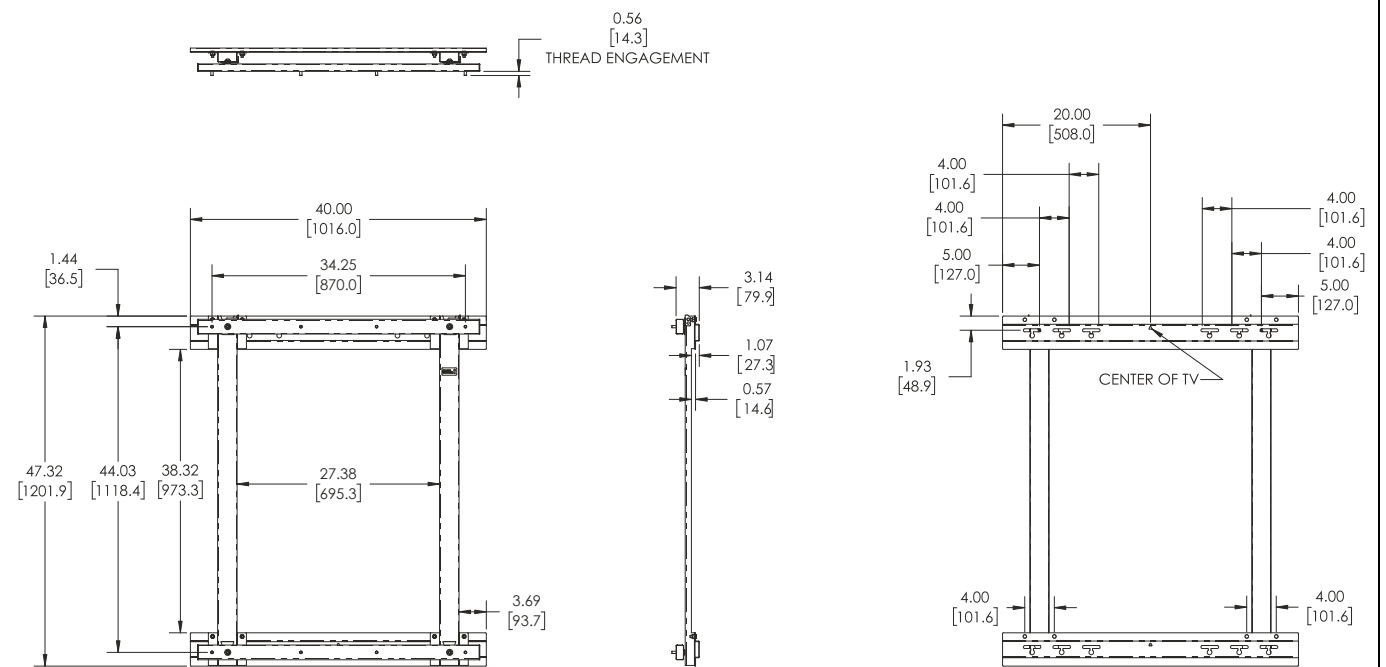
**--SAVE THESE INSTRUCTIONS--**

**DIMENSIONS**

**PSMHO2089**

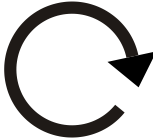

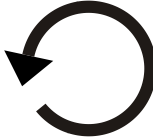











**PSMHO2146**

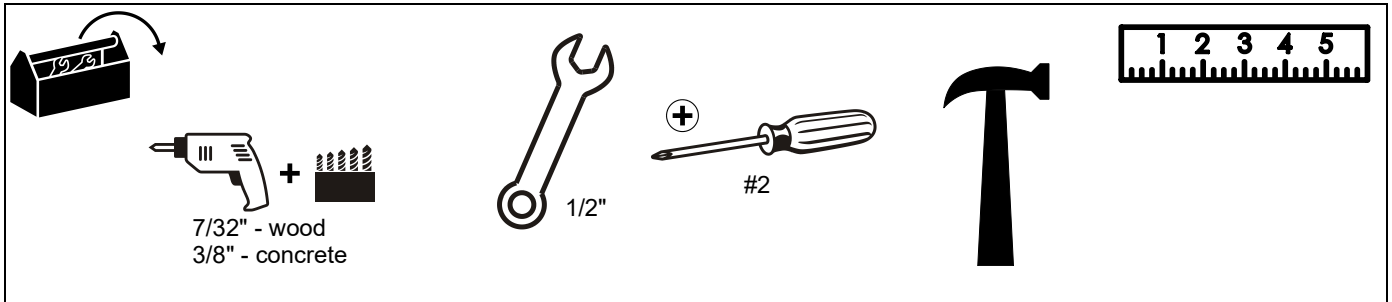


**DIMENSIONS: INCHES  
[MILLIMETERS]**

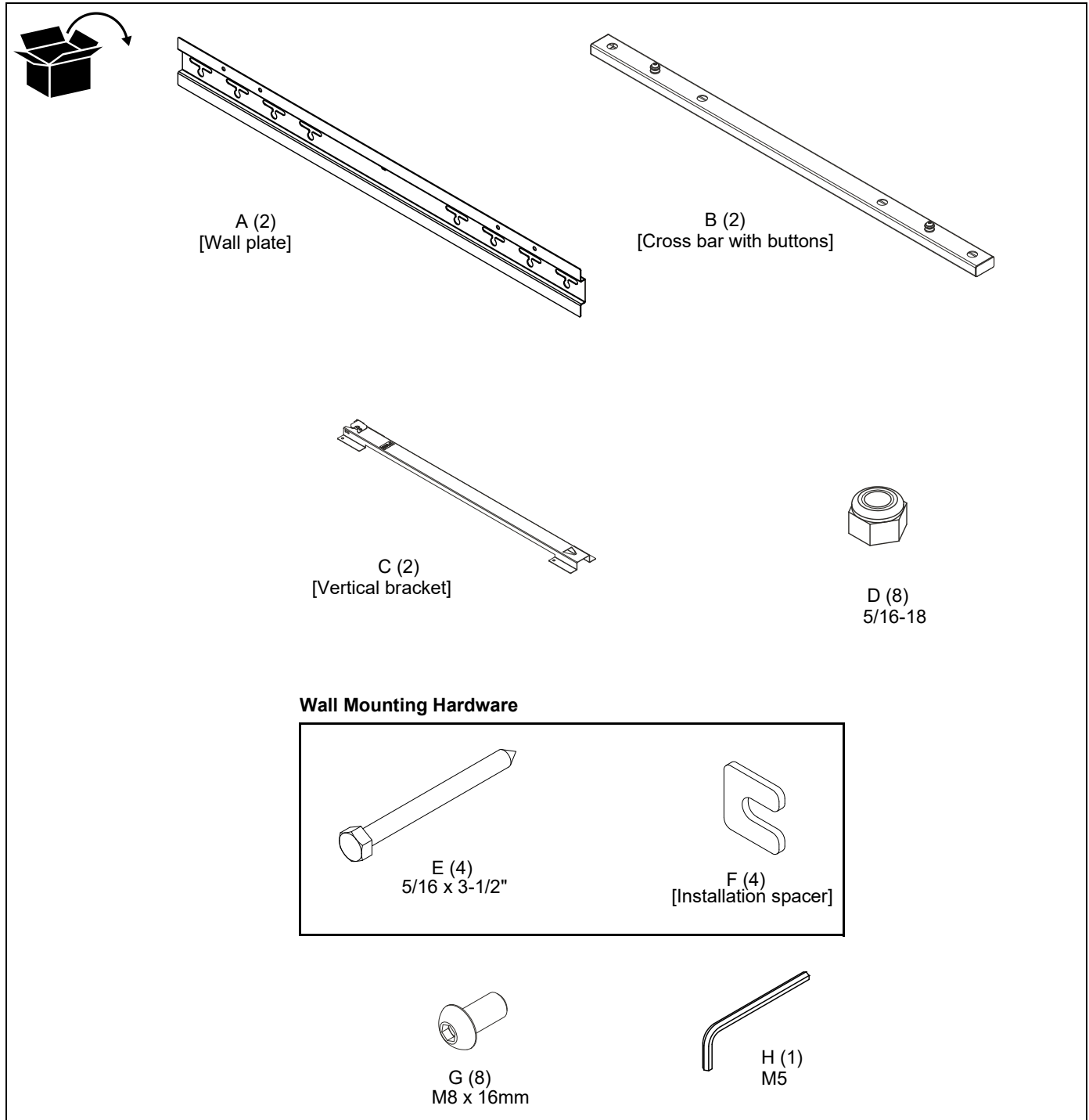
## LEGEND

	<b>Tighten Fastener</b> Apretar elemento de fijación Befestigungsteil festziehen Apertar fixador Serrare il fissaggio Bevestiging vastdraaien Serrez les fixations		<b>Pencil Mark</b> Marcar con lápiz Stiftmarkierung Marcar com lápis Segno a matita Potloodmerkteken Marquage au crayon
	<b>Loosen Fastener</b> Aflojar elemento de fijación Befestigungsteil lösen Desapertar fixador Allentare il fissaggio Bevestiging losdraaien Desserrez les fixations		<b>Drill Hole</b> Perforar Bohrloch Fazer furo Praticare un foro Gat boren Percez un trou
	<b>Phillips Screwdriver</b> Destornillador Phillips Kreuzschlitzschraubendreher Chave de fendas Phillips Cacciavite a stella Kruiskopschroevendraaier Tournevis à pointe cruciforme		<b>Adjust</b> Ajustar Einstellen Ajustar Regolare Afstellen Ajuster
	<b>Open-Ended Wrench</b> Llave de boca Gabelschlüssel Chave de bocas Chiave a punte aperte Steeksleutel Clé à fourche		<b>Remove</b> Quitar Entfernen Remover Rimuovere Verwijderen Retirez
	<b>By Hand</b> A mano Von Hand Com a mão A mano Met de hand À la main		<b>Optional</b> Opcional Optional Opcional Opzionale Optie En option
	<b>Hex-Head Wrench</b> Llave de cabeza hexagonal Sechskantschlüssel Chave de cabeça sextavada Chiave esagonale Zeskantsleutel Clé à tête hexagonale		<b>Security Wrench</b> Llave de seguridad Sicherheitsschlüssel Chave de segurança Chiave di sicurezza Veiligheidssleutel Clé de sécurité

**TOOLS REQUIRED FOR INSTALLATION**



**PARTS**



## ASSEMBLY AND INSTALLATION

### Attaching Mount to Wall

- Using the information included in the **Dimensions** drawings and Figure 1, determine where to center and attach the top wall plate of the PSMHO2089/2146.

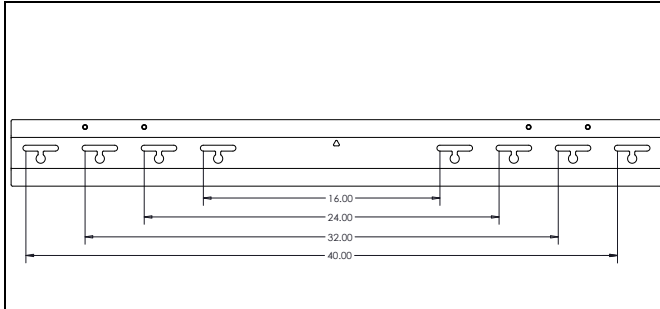


Figure 1

- Wood stud only:** Make sure that mounting slots in wall plate (X) are placed over studs.
- Mark two mounting locations through the wall plate mounting slots.

**IMPORTANT ! :** The minimum spacing between outside attachment points is 16 inches (40.6cm). The maximum spacing between outside attachment points is 40 inches (101.6cm).

- Wood stud:** Drill two 7/32" x 2-3/4" pilot holes at marked locations. **Concrete:** Drill two 3/8" x 3-1/2" pilot holes at marked locations. (See Figure 2)
- Concrete only:** Install a UX10x60R anchor (not included) into each pilot hole using a hammer, making sure that the anchor is flush with the wall.
- Secure upper wall plate (A) to wall using two 5/16 x 3-1/2" hex head lag screws (E) and two 5/16" installation spacers (F). (See Figure 2)

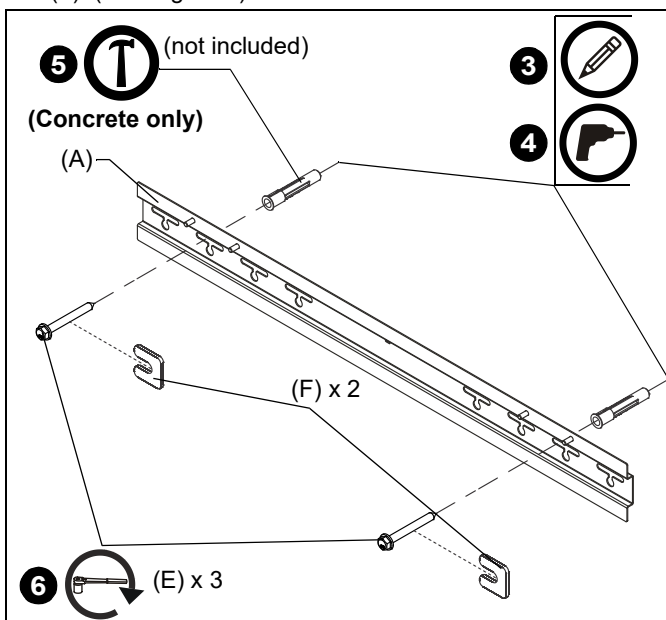


Figure 2

- Loosely install two vertical brackets (C) to upper wall plate (A) using four 5/16-18 lock nuts (D). (See Figure 3)

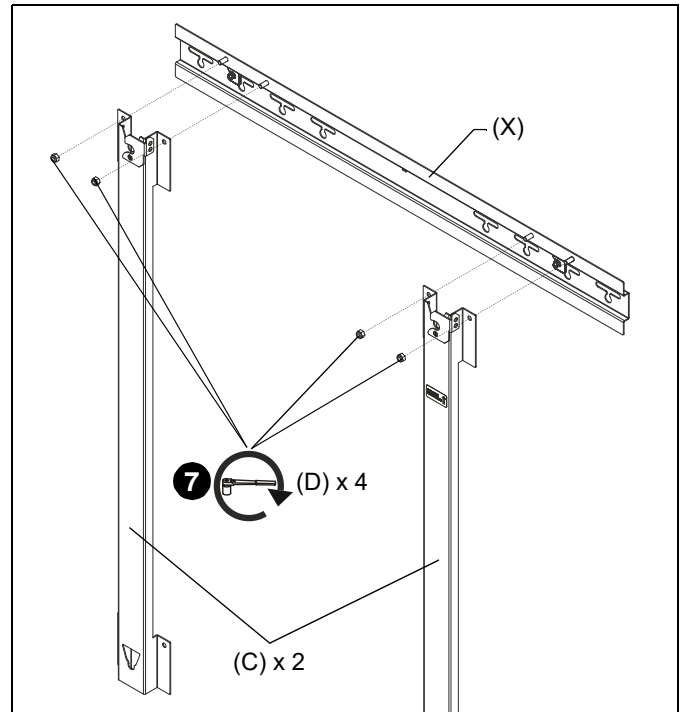


Figure 3

- Slide wall plate (A) in between wall and lower end of side brackets (C). (See Figure 4)
- Loosely install two vertical brackets (C) to lower wall plate (A) using four 5/16-18 lock nuts (D). (See Figure 4)

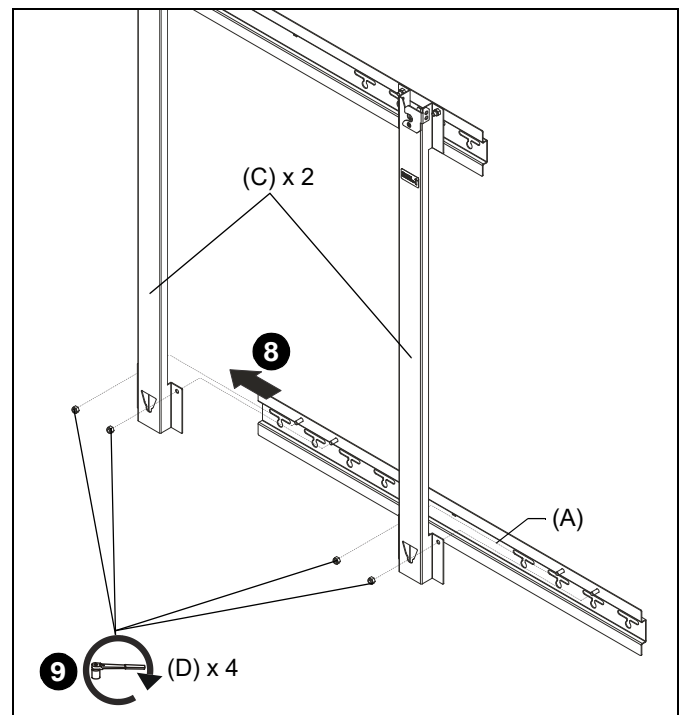


Figure 4

10. Level lower wall plate and tighten eight upper and lower lock nuts (D) in vertical brackets installed in Steps 7 and 9.
11. Mark two mounting locations through the lower wall plate mounting slots.
12. **Wood stud:** Drill two 7/32" x 2-3/4" pilot holes at marked locations. **Concrete:** Drill two 3/8" x 3-1/2" pilot holes at marked locations. (See Figure 5)
13. **Concrete only:** Install a UX10x60R anchor (not included) into each pilot hole using a hammer, making sure that the anchor is flush with the wall.
14. Secure lower wall plate to wall using two 5/16 x 3-1/2" hex head lag screws (E) and two installation spacers (F). (See Figure 5)

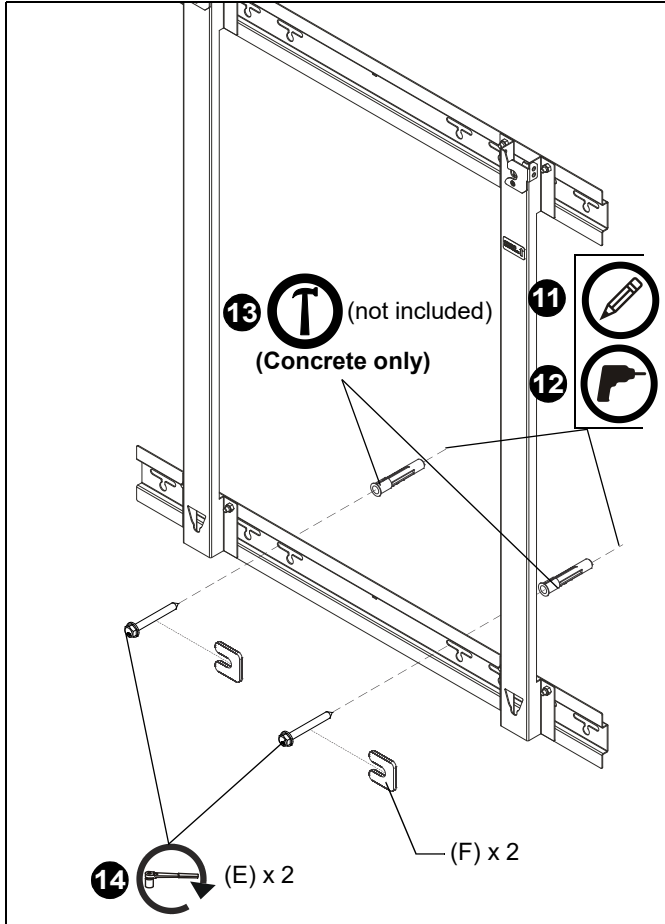


Figure 5

**Adding Screen to Mount**



**WARNING:** IMPROPER INSTALLATION CAN LEAD TO SCREEN FALLING CAUSING SERIOUS PERSONAL INJURY OR DAMAGE TO EQUIPMENT! Using screws of improper size may damage your screen. Properly sized screws will easily and completely thread into screen mounting holes.

1. Use eight M8x16mm button head screws (G) to attach two cross brackets (B) to back of screen. (See Figure 6)

**IMPORTANT ! :** If using M6 button head screws (E), also use the shoulder washers (H). (See Figure 6)

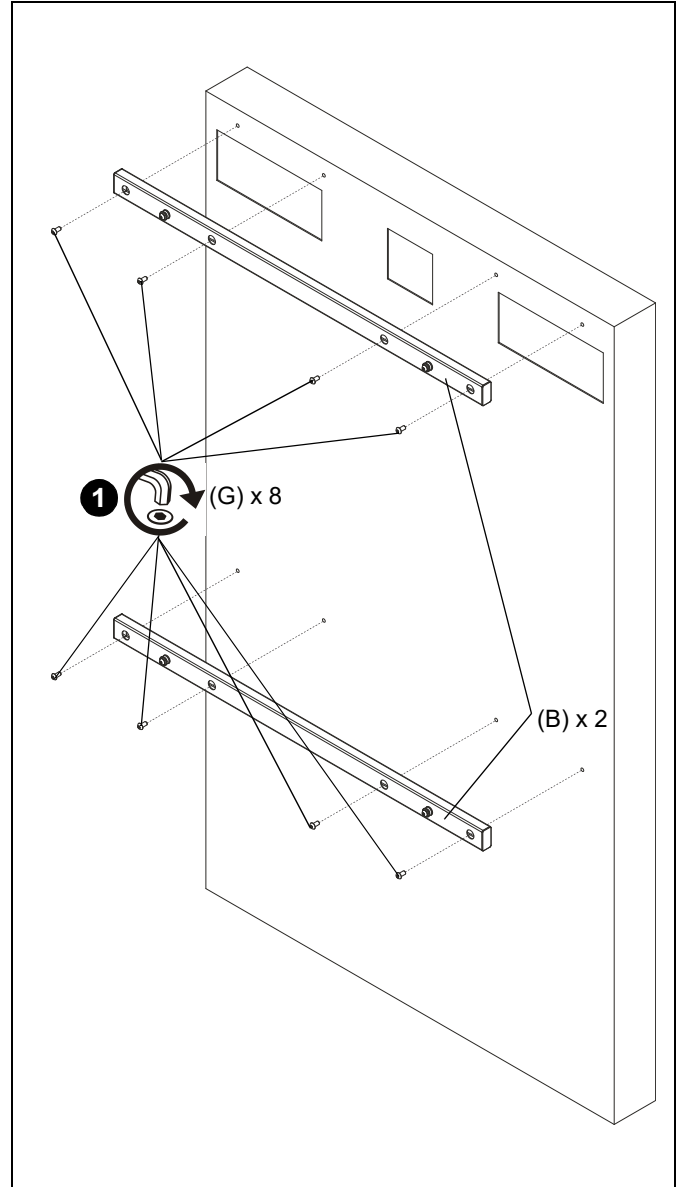
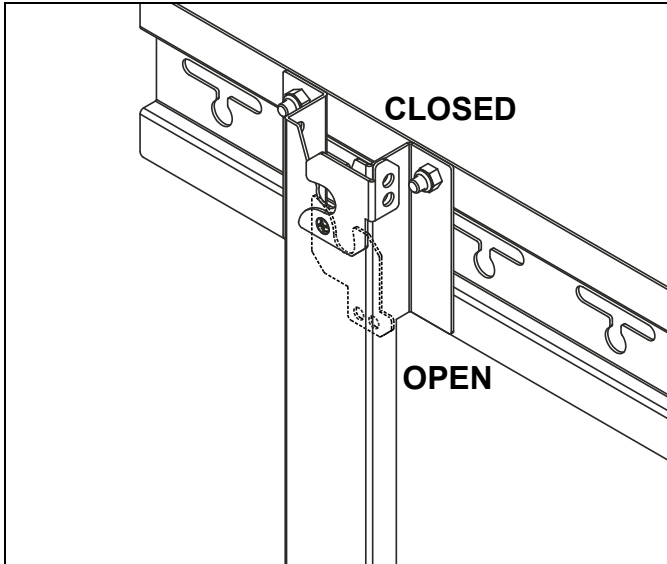


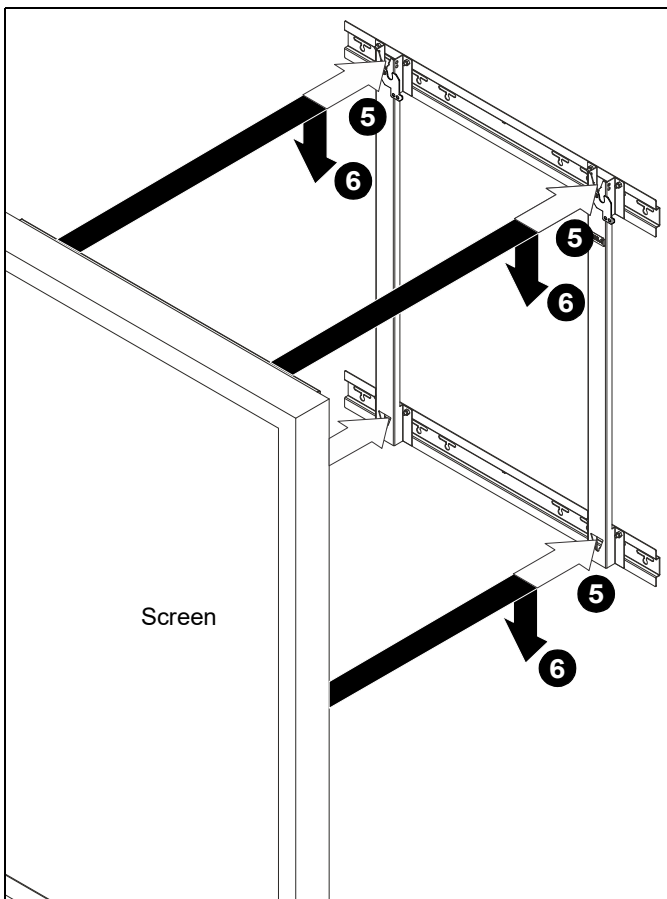
Figure 6

2. Move latching flags on mount to the OPEN position. (See Figure 7)



**Figure 7**

3. Lift screen following lifting instructions provided by screen manufacturer.
4. Align mounting buttons on screen with teardrop mounting holes in mount. (See Figure 8)



**Figure 8**

5. Move screen forward until recessed area of mounting buttons is positioned over lower area of teardrop mounting holes. (See Figure 8)
6. Lower screen until recess area of mounting buttons is seated in lower area of teardrop mounting holes. (See Figure 8)
7. Move locking flags to CLOSED position and lock. (See Figure 7)
8. Route wires and cables to screen.











A brand of  **legrand**

8800-003102 Rev00  
©2019 Legrand | AV  
[www.legrandav.com](http://www.legrandav.com)  
01/19

<b>USA/International</b>	<b>A</b> 6436 City West Parkway, Eden Prairie, MN 55344 <b>P</b> 800.582.6480 / 952.225.6000 <b>F</b> 877.894.6918 / 952.894.6918
<b>Europe</b>	<b>A</b> Franklinstraat 14, 6003 DK Weert, Netherlands <b>P</b> +31 (0) 495 580 852 <b>F</b> +31 (0) 495 580 845
<b>Asia Pacific</b>	<b>A</b> Office No. 918 on 9/F, Shatin Galleria 18-24 Shan Mei Street Fotan, Shatin, Hong Kong <b>P</b> 852 2145 4099 <b>F</b> 852 2145 4477

