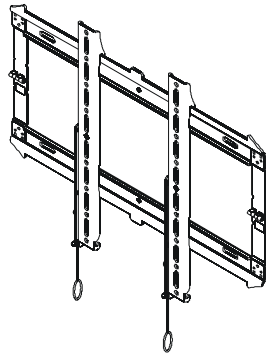
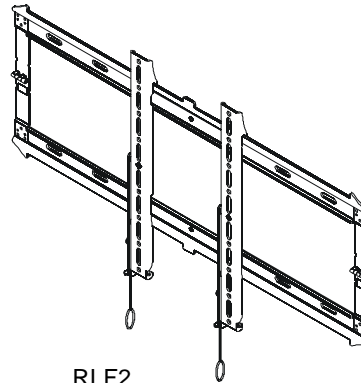
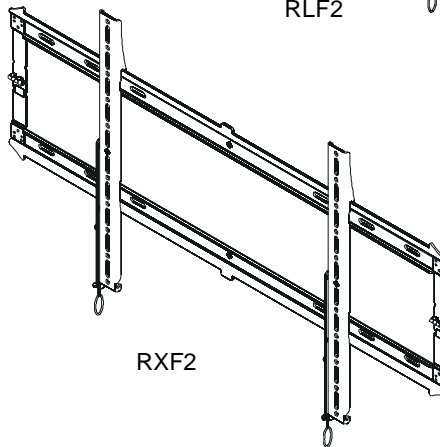

INSTALLATION INSTRUCTIONS



RMF2



RLF2



RXF2

Universal Fixed Mounts

Touchboards

205 Westwood Ave, Long Branch, NJ 07740
Phone: 866-94 BOARDS (26273) / (732)-222-1511
Fax: (732)-222-7088 | E-mail: sales@touchboards.com

 **CHIEF**[®]
Our Mounts. Your Vision.

RMF2/RLF2/RXF2

DISCLAIMER

Milestone AV Technologies and its affiliated corporations and subsidiaries (collectively "Milestone"), intend to make this manual accurate and complete. However, Milestone makes no claim that the information contained herein covers all details, conditions or variations, nor does it provide for every possible contingency in connection with the installation or use of this product. The information contained in this document is subject to change without notice or obligation of any kind. Milestone makes no representation of warranty, expressed or implied, regarding the information contained herein. Milestone assumes no responsibility for accuracy, completeness or sufficiency of the information contained in this document.

Chief® is a registered trademark of Milestone AV Technologies. All rights reserved.



IMPORTANT SAFETY INSTRUCTIONS!



WARNING: A WARNING alerts you to the possibility of serious injury or death if you do not follow the instructions.



CAUTION: A CAUTION alerts you to the possibility of damage or destruction of equipment if you do not follow the corresponding instructions.



WARNING: Failure to read, thoroughly understand, and follow all instructions can result in serious personal injury, damage to equipment, or voiding of factory warranty! It is the installer's responsibility to make sure all components are properly assembled and installed using the instructions provided.



WARNING: Failure to provide adequate structural strength for this component can result in serious personal injury or damage to equipment! It is the installer's responsibility to make sure the structure to which this component is attached can support five times the combined weight of all equipment. Reinforce the structure as required before installing the component. The wall to which the mount is being attached may have a maximum drywall thickness of 5/8" (1.6cm). Do not install drywall anchors into the seam between drywall pieces.



WARNING: Exceeding the weight capacity can result in serious personal injury or damage to equipment! It is the installer's responsibility to make sure the combined weight of all components attached does not exceed 125 lbs (56.7 kg) for the RMF2 and RLF2 or 175 lbs (79.4 kg) for the RXF2. Use with products heavier than the maximum weight indicated may result in collapse of the mount and its accessories causing possible injury.



WARNING: Use this mounting system only for its intended use as described in these instructions. Do not use attachments not recommended by the manufacturer.



WARNING: Never operate this mounting system if it is damaged. Return the mounting system to a service center for examination and repair.

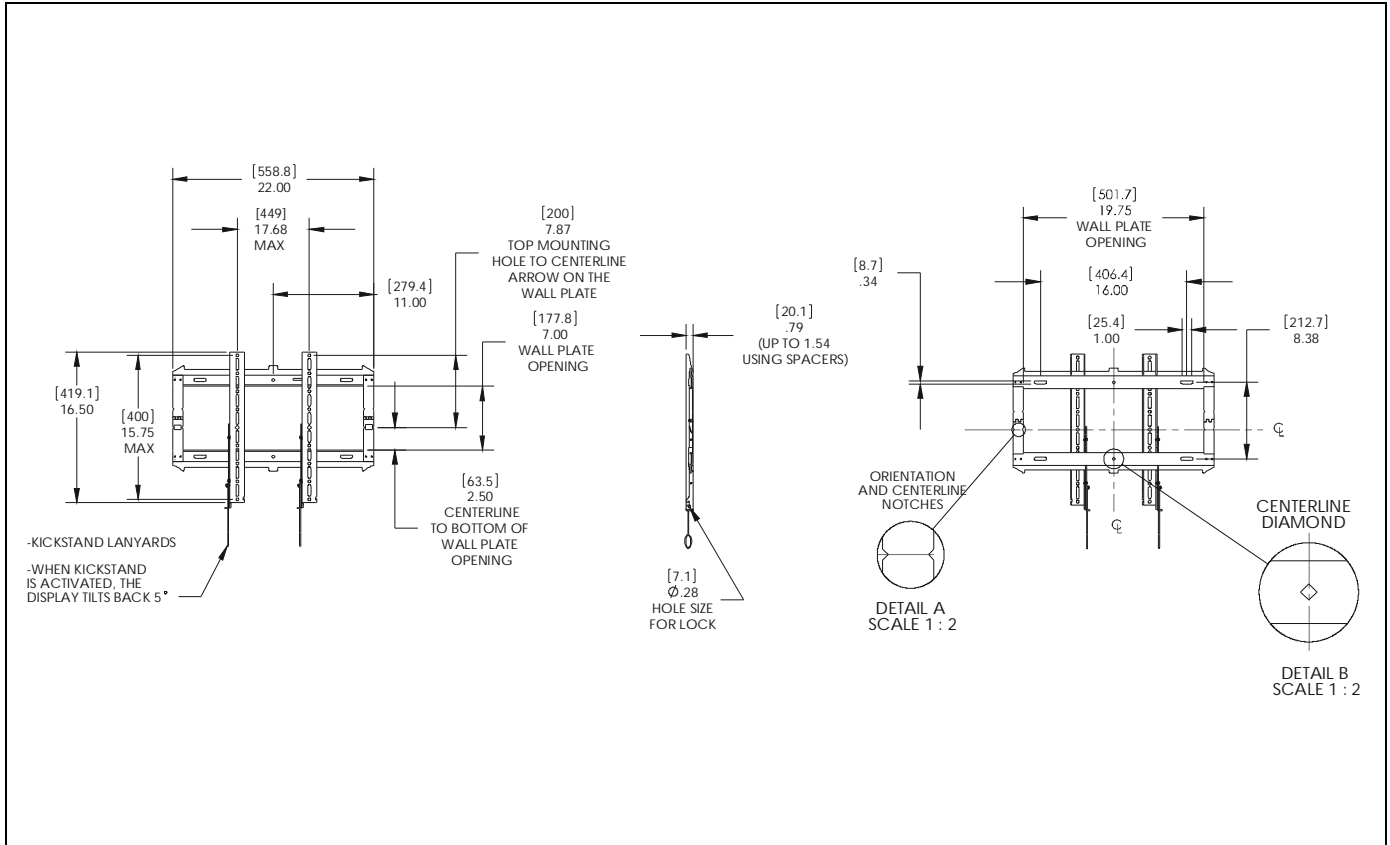


WARNING: Do not use this product outdoors.

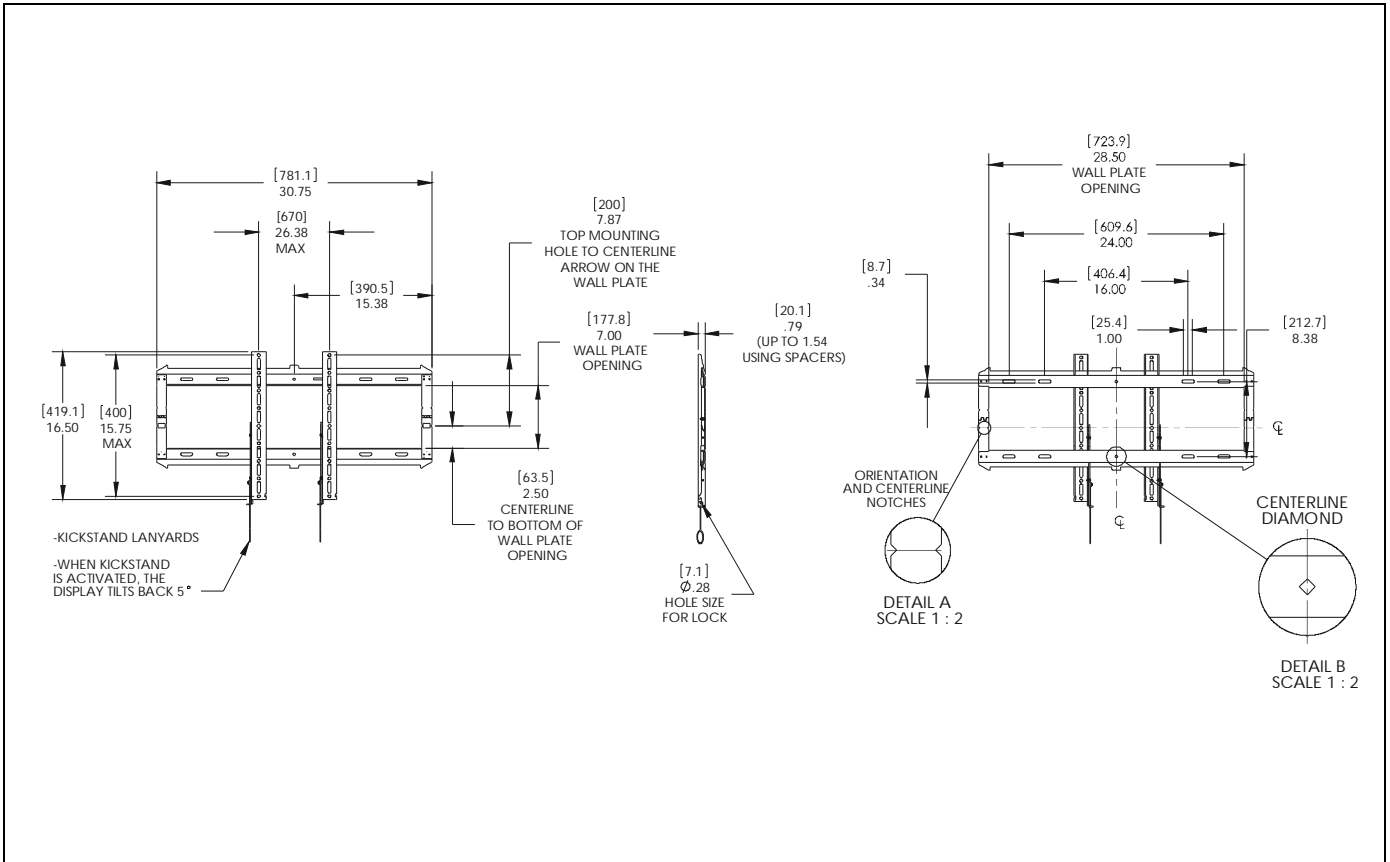
IMPORTANT ! : The RMF2/RLF2/RXF2 mounts are designed to be mounted to an 8" concrete, 8"x8"x16" concrete block, or 2" x 4" wood studs (16" on center) wall.

--SAVE THESE INSTRUCTIONS--

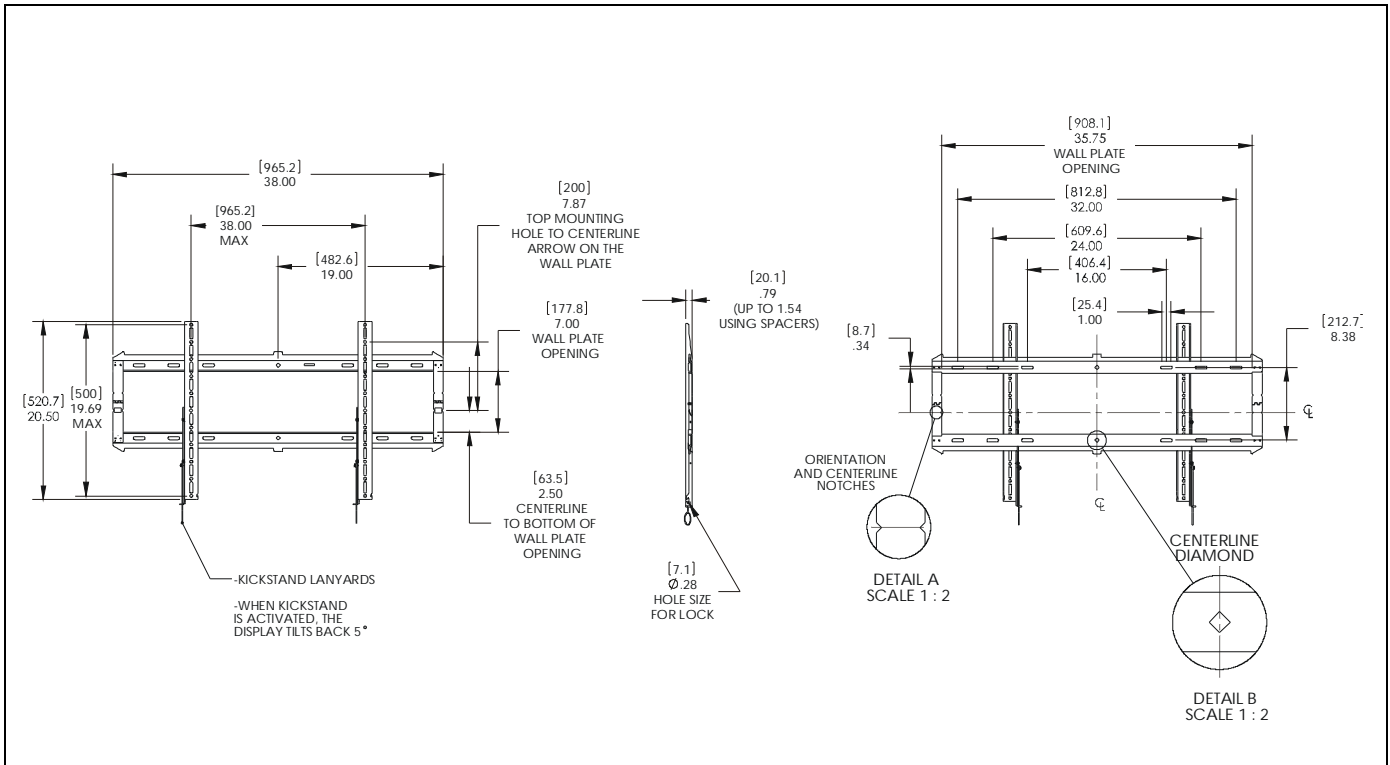
DIMENSIONS - RMF2



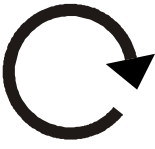

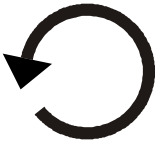









DIMENSIONS - RLF2



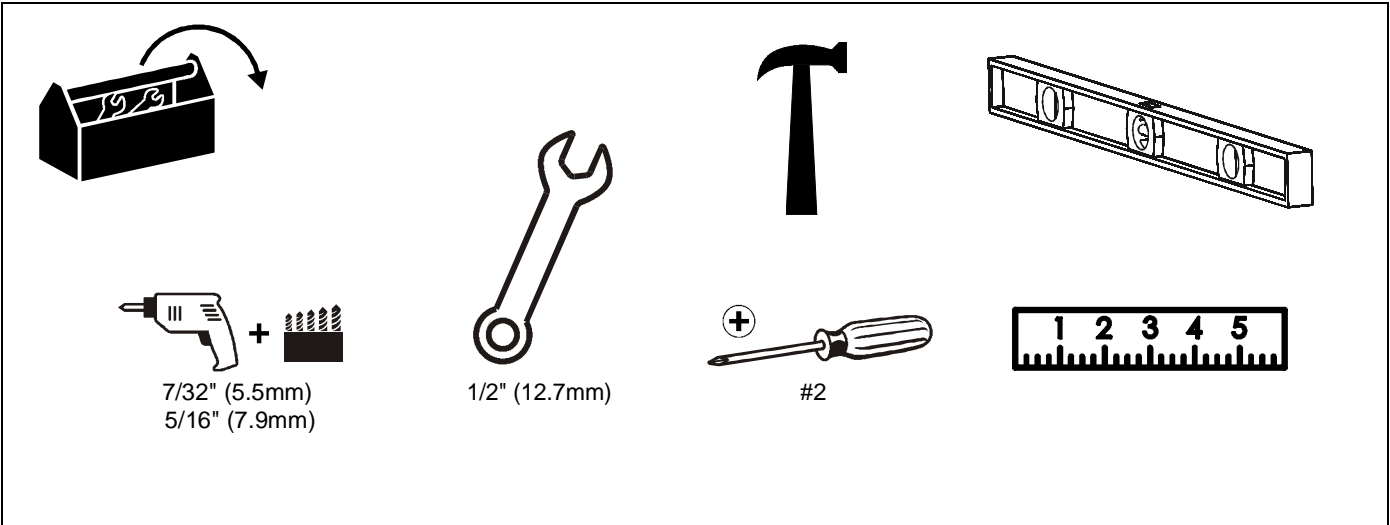
DIMENSIONS - RXF2



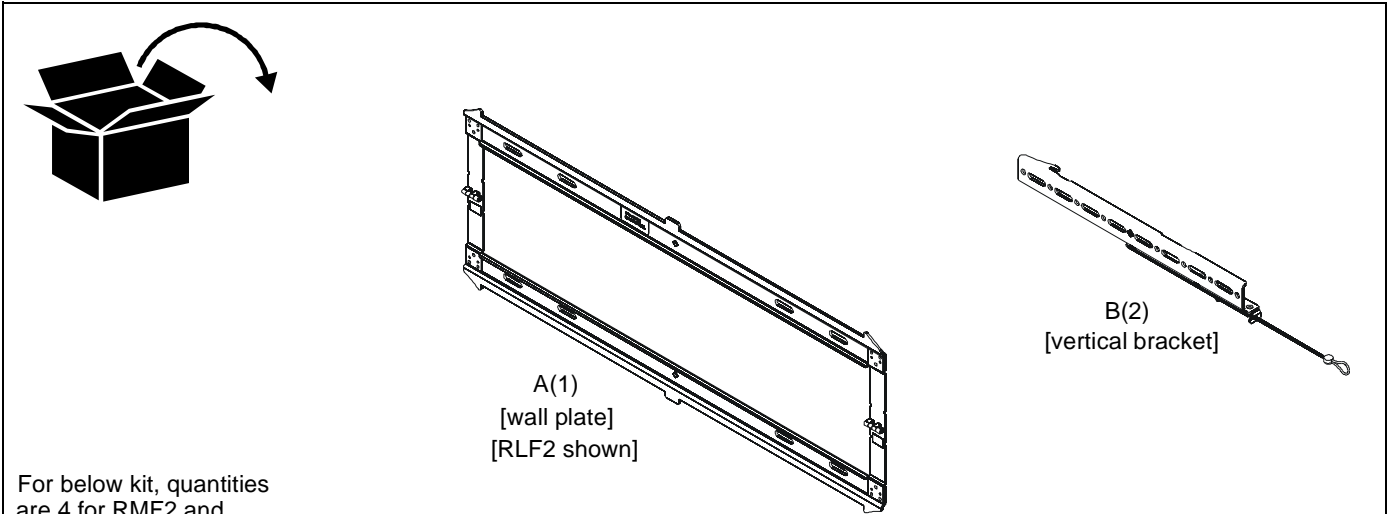
LEGEND

	<p>Tighten Fastener Apretar elemento de fijación Befestigungsteil festziehen Apertar fixador Serrare il fissaggio Bevestiging vastdraaien Serrez les fixations</p>		<p>Pencil Mark Marcar con lápiz Stiftmarkierung Marcar com lápis Segno a matita Potloodmerkteken Marquage au crayon</p>
	<p>Loosen Fastener Aflojar elemento de fijación Befestigungsteil lösen Desapertar fixador Allentare il fissaggio Bevestiging losdraaien Desserrez les fixations</p>		<p>Drill Hole Perforar Bohrloch Fazer furo Praticare un foro Gat boren Percez un trou</p>
	<p>Phillips Screwdriver Destornillador Phillips Kreuzschlitzschraubendreher Chave de fendas Phillips Cacciavite a stella Kruiskopschroevendraaier Tournevis à pointe cruciforme</p>		<p>Adjust Ajustar Einstellen Ajustar Regolare Afstellen Ajuster</p>
	<p>Open-Ended Wrench Llave de boca Gabelschlüssel Chave de bocas Chiave a punte aperte Steeksleutel Clé à fourche</p>		<p>Remove Quitar Entfernen Remover Rimuovere Verwijderen Retirez</p>
	<p>By Hand A mano Von Hand Com a mão A mano Met de hand À la main</p>		<p>Optional Opcional Optional Opcional Opzionale Optie En option</p>
	<p>Hex-Head Wrench Llave de cabeza hexagonal Sechskantschlüssel Chave de cabeça sextavada Chiave esagonale Zeskantsleutel Clé à tête hexagonale</p>		<p>Security Wrench Llave de seguridad Sicherheitsschlüssel Chave de segurança Chiave di sicurezza Veiligheidsleutel Clé de sécurité</p>

TOOLS REQUIRED FOR INSTALLATION



PARTS



For below kit, quantities are 4 for RMF2 and RLF2, 6 for RXF2

<p>C(4 or 6) 5/16 x 2 1/2"</p> <p>D(4 or 6) 5/16"</p> <p>E(4 or 6) [concrete anchor]</p>	<p>F (1) Hardware Bag</p>				
	<p>FA(8) M4 x 16mm</p>	<p>FE(6) M5 x 16mm</p>	<p>FI(6) M6 x 16mm</p>	<p>FL(6) M8 x 20mm</p>	<p>FP(8) 1/4"(6.4mm)</p>
	<p>FB(6) M4 x 20mm</p>	<p>FF(6) M5 x 20mm</p>	<p>FJ(6) M6 x 25mm</p>	<p>FM(6) M8 x 30mm</p>	<p>FQ(8) 1/2"(12.7mm)</p>
	<p>FC(6) M4 x 25mm</p>	<p>FG(6) M5 x 25mm</p>	<p>FK(6) M6 x 35mm</p>	<p>FN(6) M8 x 40mm</p>	<p>FO(6) [universal washer] M8 x 50mm</p>

Assembly And Installation

Install Wall Plate to Wall - Wood Studs



WARNING: Failure to provide adequate structural strength for this component can result in serious personal injury or damage to equipment! It is the installer's responsibility to make sure the structure to which this component is attached can support five times the combined weight of all equipment. Reinforce the structure as required before installing the component. The wall to which the mount is being attached may have a maximum drywall thickness of 5/8" (1.6cm). Do not install drywall anchors into the seam between drywall pieces.

1. Unfold wall plate (A) to prepare it for mounting to wall. (See Figure 1)

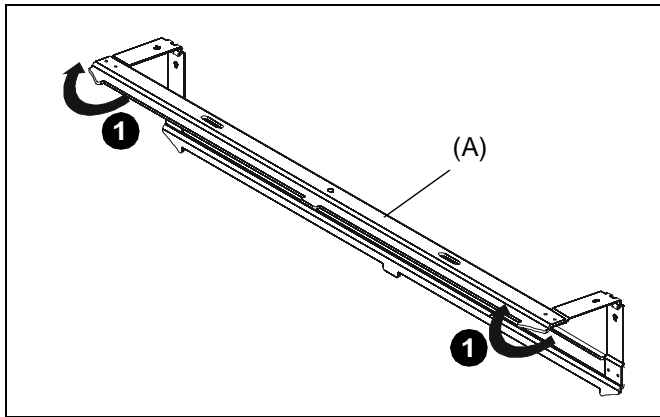


Figure 1

2. Level wall plate (A) and mark locations of pilot holes. (See Figure 2)

NOTE: The RMF2 must be installed on two 16" studs. The RLF2 can be installed on 16" studs (inner holes) or 24" studs (outer holes). For the RXF2, it can be mounted over two or three 16" studs or two 24" studs. If mounting to three 16" studs, it must be mounted to all three studs using the outer holes and center holes. (See Figures 2 and 3) All studs must be 2"x4".

NOTE: The vertical center of the display will be even with the center line indicated on the labels located directly below each hinge. Keep this in mind when determining mounting location. (See Figure 3)

3. Drill 7/32" (5.5mm) diameter pilot holes into wood studs at marked locations. (See Figure 2)

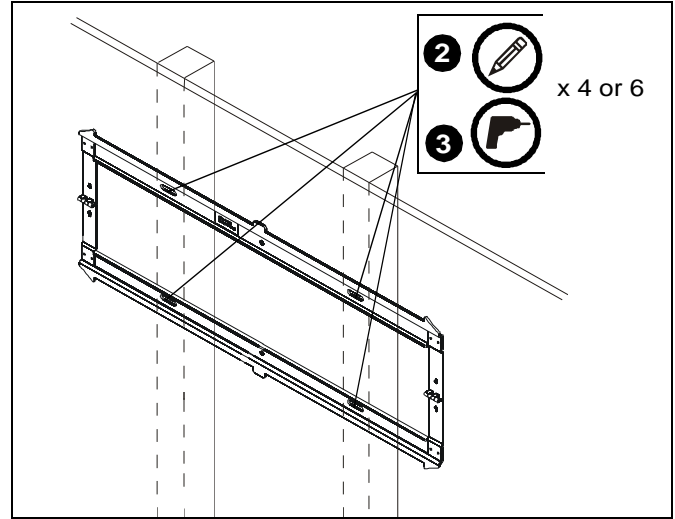


Figure 2

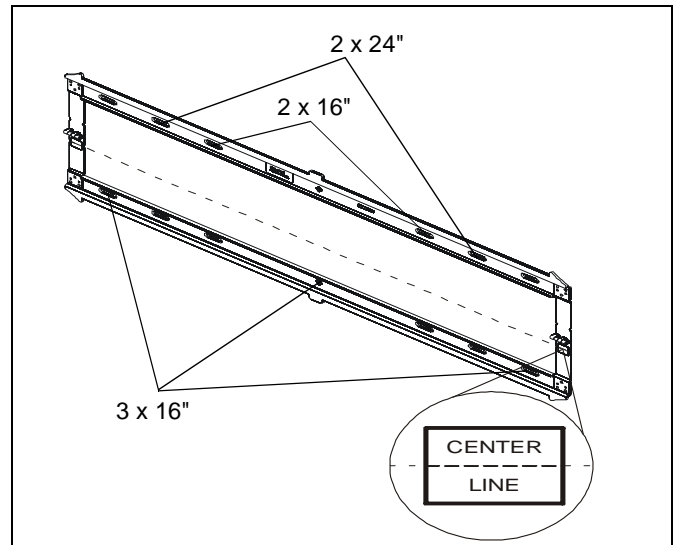


Figure 3

4. Install 5/16 x 2 1/2" hex head cap screws (C) through four flat washers (D), wall plate (A) and into wood studs. (See Figure 4)

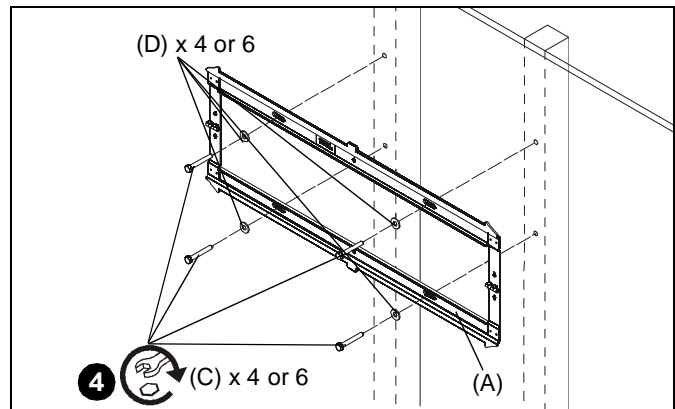


Figure 4

Install Wall Plate to Wall - Concrete or Concrete Block

WARNING: Failure to provide adequate structural strength for this component can result in serious personal injury or damage to equipment! It is the installer's responsibility to make sure the structure to which this component is attached can support five times the combined weight of all equipment. Reinforce the structure as required before installing the component. The wall to which the mount is being attached may have a maximum drywall thickness of 5/8" (1.6cm).

WARNING: ELECTRICAL SHOCK HAZARD! CUTTING OR DRILLING INTO ELECTRICAL CORDS OR CABLES CAN CAUSE DEATH OR SERIOUS PERSONAL INJURY! ALWAYS make certain area behind mounting surface is free of electrical wires and cables before drilling or installing fasteners.

WARNING: EXPLOSION AND FIRE HAZARD! CUTTING OR DRILLING INTO GAS PLUMBING CAN CAUSE DEATH OR SERIOUS PERSONAL INJURY! ALWAYS make certain area behind mounting surface is free of gas, water, waste, or any other plumbing before cutting, drilling, or installing fasteners.

1. Unfold wall plate (A) to prepare it for mounting to wall. (See Figure 1)
2. Level wall plate (A) and mark locations of pilot holes at desired mounting location. (See Figure 5)

IMPORTANT ! : The RMF2-RLF2-RXF2 mounts are designed to be mounted to 8" concrete or 8"x8"x16" concrete block.

NOTE: For the RLF2, either the inner or outer four holes may be used.

NOTE: For the RXF2, use the outer four holes and the two middle holes on wall plate for installation.

NOTE: The vertical center of the display will be even with the center line indicated on the labels located directly below each hinge. Keep this in mind when determining mounting location. (See Figure 5)

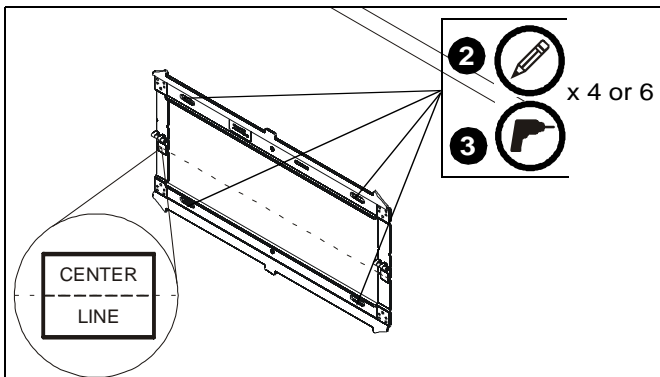


Figure 5

3. Drill 5/16" (8mm) diameter pilot holes into wall at marked locations. Holes must be drilled at least 3 1/4 inches deep. (See Figure 5)
4. Install four or six concrete anchors (E) into drilled holes. Use a hammer to tap anchors into holes. (See Figures 6 and 7)

IMPORTANT ! : The anchors must be installed through any wall covering until flush with the concrete wall. (See Figure 6)

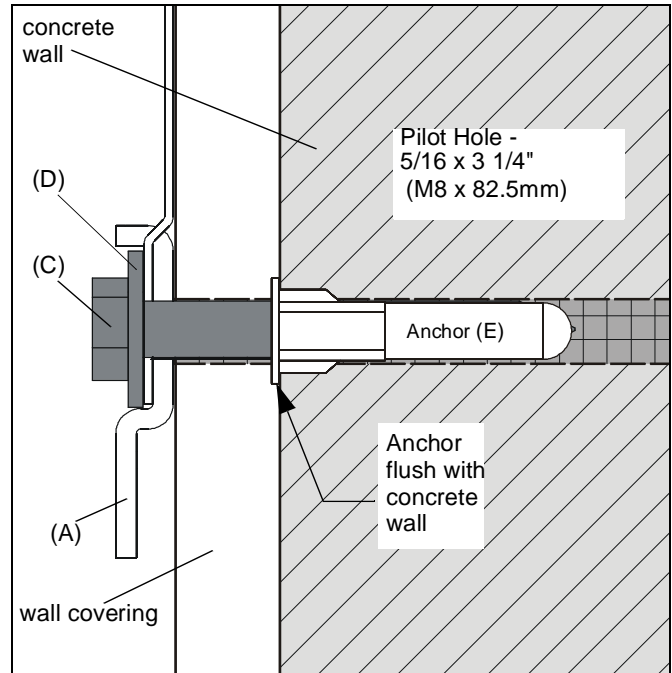


Figure 6

5. Using 1/2" (12.7mm) wrench, install screws (C) through flat washers (D), wall plate (A) and into concrete anchors (E). (See Figure 7)

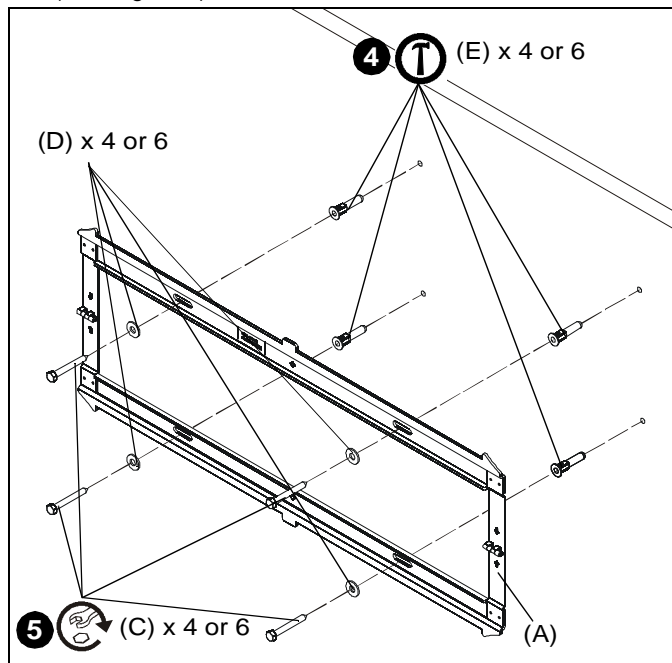


Figure 7

Install Brackets to Display



WARNING: The minimum hole pattern size is 100mm x 100mm for the RMF2 and 200mm x 200mm for the RLF2 and the RXF2.

1. Lay display face down on protective surface.



CAUTION: Using screws of improper diameter may damage your display! Proper screws will easily thread into display mounting holes.

2. Select screw *diameter* by examining hardware (FA-FO) (8mm, 6mm, 5mm, or 4mm) and comparing with mounting holes on display. (See Figure 8)

3. Select spacers: (See Figure 8)

- If mounting holes are not recessed and both brackets (B) can lay flat against display, then no spacers are required.
- If mounting holes are recessed, or if protrusions prevent brackets (B) from laying flat, then spacers (FP or FQ) must be used.
- If additional depth is needed behind display, spacers (FP and FQ) can be stacked on top of each other.



CAUTION: Using screws of improper length may damage your display! Proper screws will have adequate thread engagement without contacting bottom of display mounting holes.

4. Select screw *length*: (See Figure 8)

- Using your hand, insert **SHORTEST** length screw of selected diameter (FA, FE, FI or FL) through bracket (B), universal washer (FS), selected spacer (FP or FQ, if required), into display mounting hole. Do NOT thread screw into hole at this time.
- Proper screw length requires base of screw head to protrude above flat washer a *distance equal to or greater than the screw diameter*. If screw length is inadequate, select longer screw. Select *shortest* screw which will protrude the required distance.

5. Place brackets (B) on display, ensuring: (See Figure 8)

- Upper hooks are towards *top* of display.
- Center of brackets (B) are as close to the center of the back of display as possible after being installed. Center of bracket is indicated by the diamond-shaped hole.

6. Using Phillips screwdriver, carefully install selected screws through universal washers (FS), brackets (B), and spacers (FP or FQ, if required), into display. (See Figure 8)

7. Tighten all screws. Ensure all applicable display mounting holes (4, 6, or 8) are used.

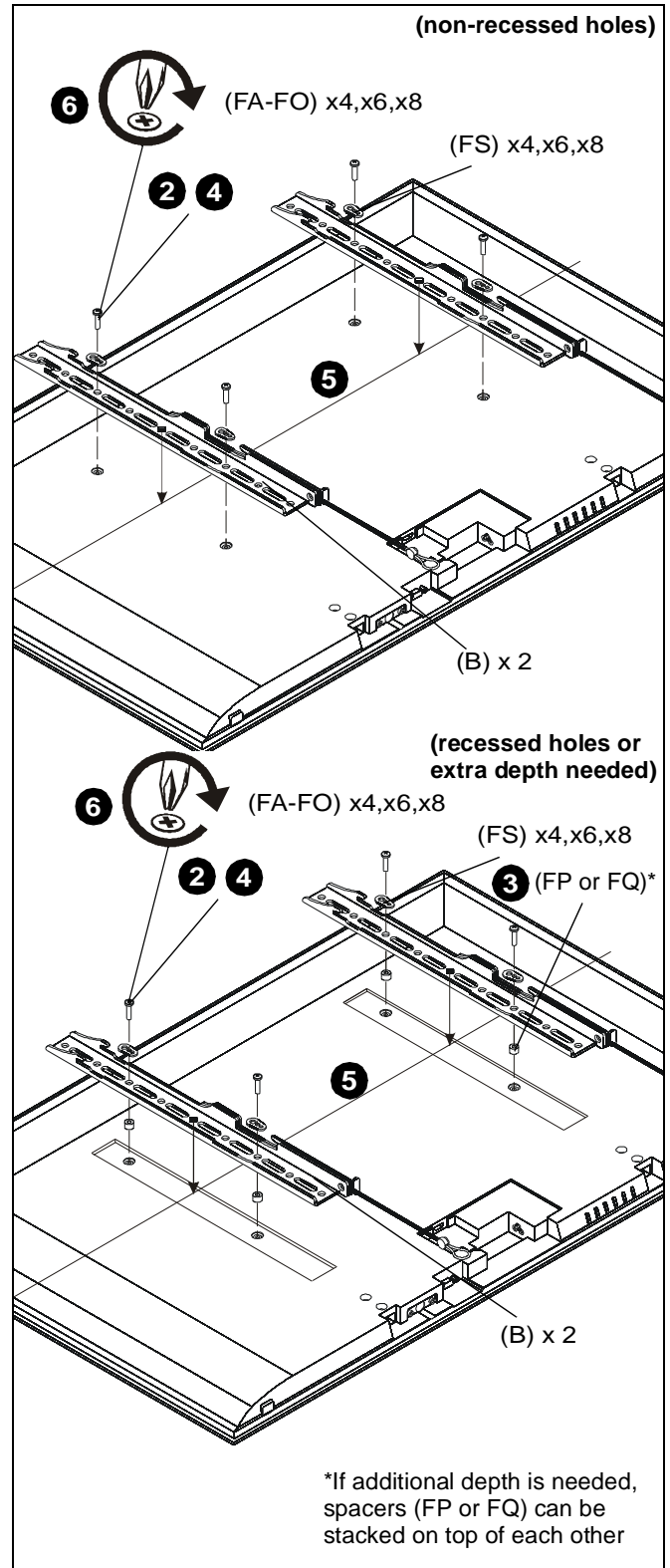


Figure 8

Install Display to Wall Plate

WARNING: Exceeding the weight capacity can result in serious personal injury or damage to equipment! It is the installer's responsibility to make sure the combined weight of all components attached does not exceed 125 lbs (56.7 kg) for the RMF2 and RLF2 or 175 lbs (79.4 kg) for the RXF2. Use with products heavier than the maximum weight indicated may result in collapse of the mount and its accessories causing possible injury.

WARNING: Display may be very heavy! Ensure display can be safely lifted and maneuvered as required to install on wall plate. Failure to take adequate precautions can result in serious personal injury or damage to equipment!

WARNING: Interface brackets must be hung on opposite sides of the center tab on wall plate! (See Figure 9)

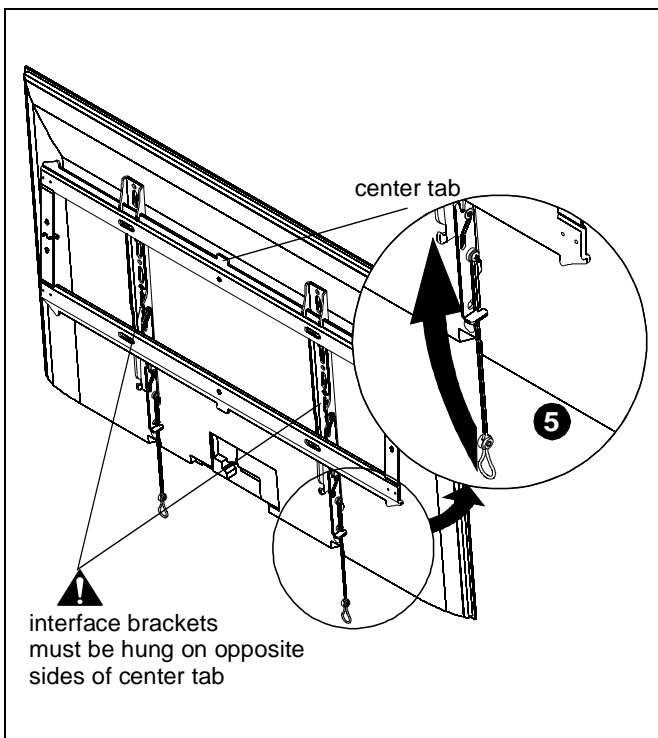


Figure 9

1. Make sure interface brackets are in the kickstand position by pulling down on handles as far as possible. (See Figure 10)
2. Hang display with brackets (B) on upper rail of wall plate (A). Kickstand should be engaged with lower portion of wall plate. (See Figure 10)

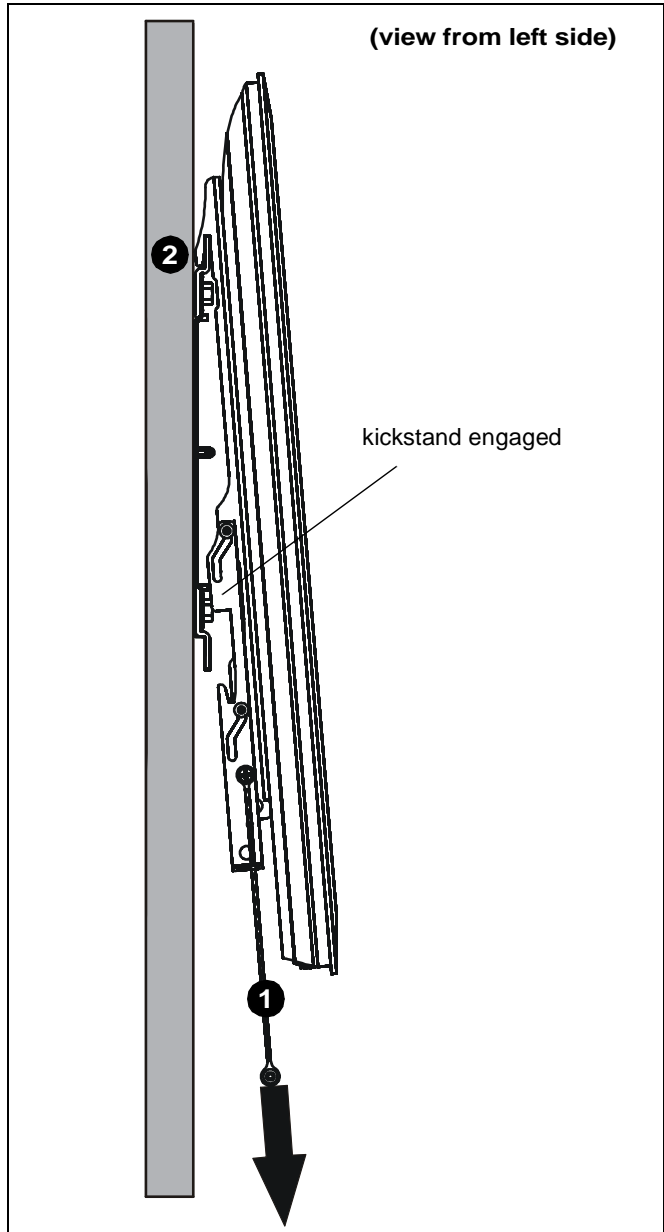


Figure 10

NOTE: Any cable management or rear display adjustments should be made when the display is resting on the kickstand.

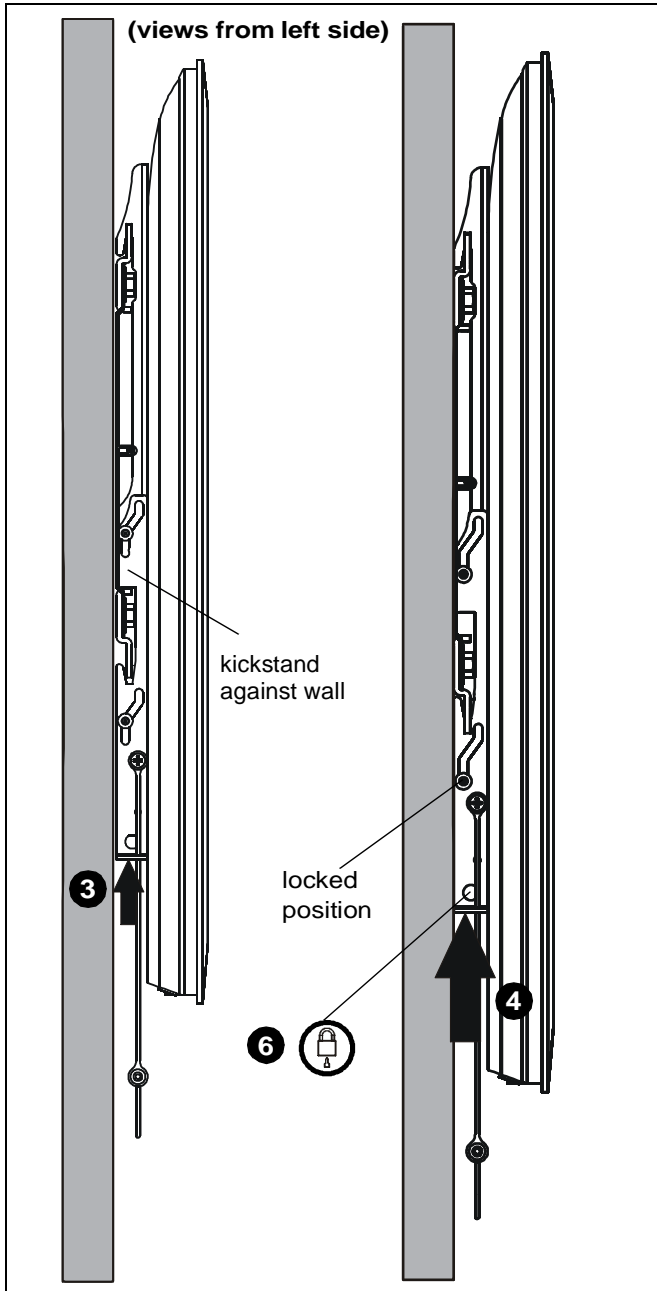


Figure 11

3. Unlock kickstand by pushing up on interface brackets until kickstand rests against the wall. (See Figure 11)
4. Push up on the interface brackets further in order to lock display into position against wall. (See Figure 11)
5. Straps can be tucked behind display on notch on interface brackets (B) after installation is complete so that they will not be visible to the viewer. (See Figure 9)
6. (Optional) Route padlock or cable lock (not included) through bottom holes on interface bracket to provide additional security. (See Figure 11)

Touchboards

205 Westwood Ave, Long Branch, NJ 07740

Phone: 866-94 BOARDS (26273) / (732)-222-1511

Fax: (732)-222-7088 | E-mail: sales@touchboards.com



Our Mounts. **Your Vision.**

Chief Manufacturing, a products division
of Milestone AV Technologies

8800-002426 Rev00
©2013 Milestone AV Technologies, a
Duchossois Group Company
www.chiefmfg.com
11/13

USA/International	A 6436 City West Parkway, Eden Prairie, MN 55344
	P 800.582.6480 / 952.225.6000
	F 877.894.6918 / 952.894.6918
Europe	A Franklinstraat 14, 6003 DK Weert, Netherlands
	P +31 (0) 495 580 852
	F +31 (0) 495 580 845
Asia Pacific	A Office No. 1 on 12/F, Shatin Galleria 18-24 Shan Mei Street Fotan, Shatin, Hong Kong
	P 852 2145 4099
	F 852 2145 4477

