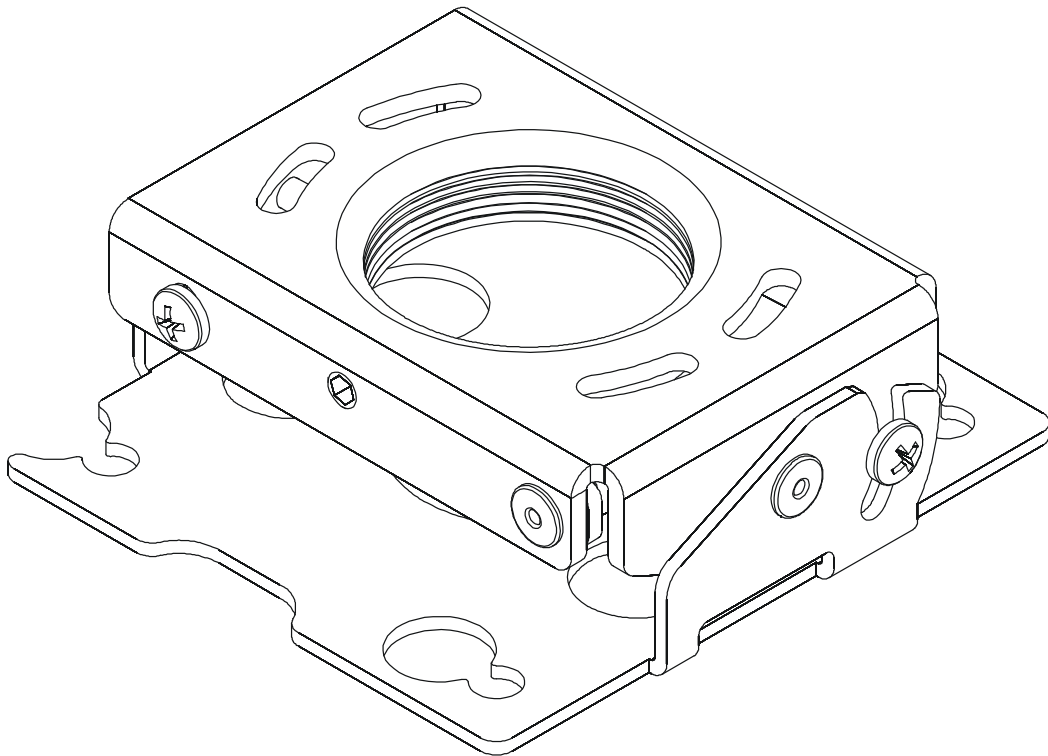

INSTALLATION INSTRUCTIONS



RSA Projector Mounts

Touchboards

205 Westwood Ave, Long Branch, NJ 07740
Phone: 866-94 BOARDS (26273) / (732)-222-1511
Fax: (732)-222-7088 | E-mail: sales@touchboards.com

DISCLAIMER

Milestone AV Technologies, and its affiliated corporations and subsidiaries (collectively, "Milestone"), intend to make this manual accurate and complete. However, Milestone makes no claim that the information contained herein covers all details, conditions or variations, nor does it provide for every possible contingency in connection with the installation or use of this product. The information contained in this document is subject to change without notice or obligation of any kind. Milestone makes no representation of warranty, expressed or implied, regarding the information contained herein. Milestone assumes no responsibility for accuracy, completeness or sufficiency of the information contained in this document.

Chief® is a registered trademark of Milestone AV Technologies. All rights reserved.

! IMPORTANT SAFETY INSTRUCTIONS!

! WARNING: A WARNING alerts you to the possibility of serious injury or death if you do not follow the instructions.

! CAUTION: A CAUTION alerts you to the possibility of damage or destruction of equipment if you do not follow the corresponding instructions.

! WARNING: Failure to read, thoroughly understand, and follow all instructions can result in serious personal injury, damage to equipment, or voiding of factory warranty! It is the installer's responsibility to make sure all components are properly assembled and installed using the instructions provided.

! WARNING: Failure to provide adequate structural strength for this component can result in serious personal injury or damage to equipment! It is the installer's responsibility to make sure the structure to which this component is attached can support five times the combined weight of all equipment. Reinforce the structure as required before installing the component.

! WARNING: Exceeding the weight capacity can result in serious personal injury or damage to equipment! It is the installer's responsibility to make sure the combined weight of all components attached to the RSA does not exceed 25 lbs (11.37 kg).

- The weight capacity of the RSA may be LIMITED to the lowest weight capacity of any other components located between the RSA and the supporting structure!

! WARNING: Use this mounting system only for its intended use as described in these instructions. Do not use attachments not recommended by the manufacturer.

! WARNING: Never operate this mounting system if it is damaged. Return the mounting system to a service center for examination and repair.

! WARNING: Do not use this product outdoors.

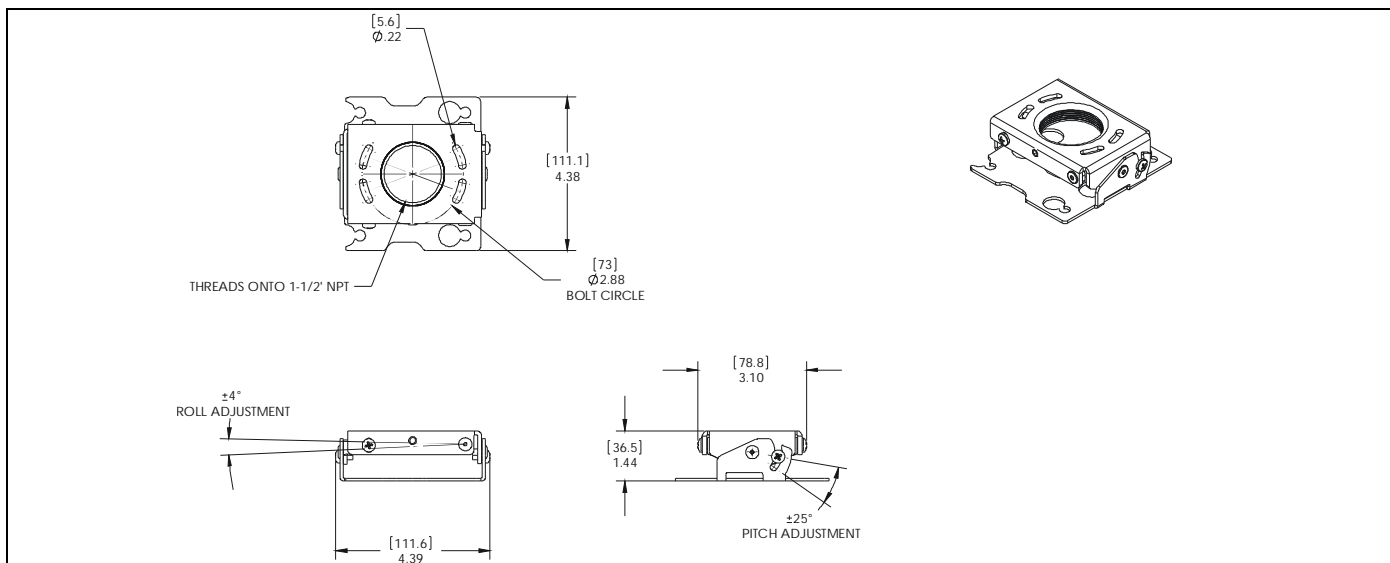
IMPORTANT ! : The RSA mounts are designed to be:

- mounted to a 1-1/2" NPT or NPSM following ANSI/ASME B1.20.1 (Schedule 40, 0.154" minimum thickness aluminum - ASTM B221) threaded extension column;
- mounted to double 2" x 4" wood stud cross bracing (1-1/2" on center) between two 2" x 4" ceiling joists;
- mounted to a concrete ceiling with a minimum thickness of 8" and a maximum drywall covering of 5/8"; or
- suspended from four 1/4" diameter (minimum) Grade 2 or better threaded rods (not included) which are secured to unistrut, angle or channel assembly overhead structural members (trusses or I-beams) by Grade 2 or better 1/4" channel nuts (not included).







NOTE: RSA Series may be used with Listed Chief models WM110S, WM120S, WM130S, WM210S, WM220S, WM230S, WM240S, WM210SI, WM220SI, WM230SI, and WM240SI (not included).







--SAVE THESE INSTRUCTIONS--


DIMENSIONS

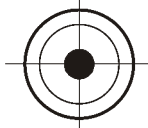


LEGEND

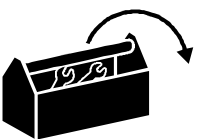

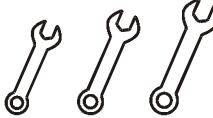

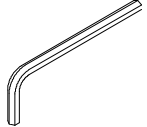

	Tighten Fastener
	Serrez les fixations
	Serrare il fissaggio
	Befestigungsteil festziehen
	Apretar elemento de fijación
	Bevestiging vastdraaien
	Apertar fixador
	Loosen Fastener
	Desserrez les fixations
	Allentare il fissaggio
	Befestigungsteil lösen
	Aflojar elemento de fijación
	Bevestiging losdraaien
	Desapertar fixador
	Phillips Screwdriver
	Tournevis à pointe cruciforme
	Cacciavite a stella
	Kreuzschlitzschraubendreher
	Destornillador Phillips
	Kruiskopschroevendraaier
	Chave de fendas Phillips
	Hex-Head Wrench
	Clé à tête hexagonale
	Chiave esagonale
	Sechskantschlüssel
	Llave de cabeza hexagonal
	Zeskantsleutel
	Chave de cabeça sextavada
	Open-Ended Wrench
	Clé à fourche
	Chiave a punte aperte
	Gabelschlüssel
	Llave de boca
	Steeksleutel
	Chave de bocas
	By Hand
	À la main
	A mano
	Von Hand
	A mano
	Met de hand
	Com a mão

	Pencil Mark
	Marquage au crayon
	Segno a matita
	Stiftmarkierung
	Marcar con lápiz
	Potloodmerkten
	Marcar com lápis
	Drill Hole
	Percez un trou
	Praticare un foro
	Bohrloch
	Perforar
	Gat boren
	Fazer furo
	Adjust
	Ajuster
	Regolare
	Einstellen
	Ajustar
	Afstellen
	Ajustar
	Remove
	Retirez
	Rimuovere
	Entfernen
	Quitar
	Verwijderen
	Remover
	Optional
	En option
	Opzionale
	Optional
	Opcional
	Optie
	Opcional
	Security Wrench
	Clé de sécurité
	Chiave di sicurezza
	Sicherheitsschlüssel
	Llave de seguridad
	Veiligheidssleutel
	Chave de segurança


	Hammer
	Martillo
	Hammer
	Martelo
	Martello
	Hamer
	Marteau

	Target of Projector
	Punto de enfoque del proyector
	Ziel des Projektors
	Mira do projector
	Punto di proiezione
	Doel van de projector
	Cible du projecteur

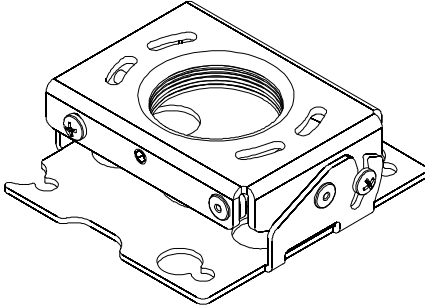
TOOLS REQUIRED FOR INSTALLATION

		
 #2	 7/16"	 7/32" (6mm) dia.
 5/32"		

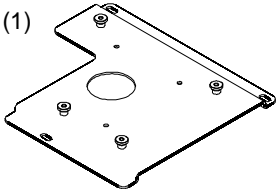
PARTS



A (1)



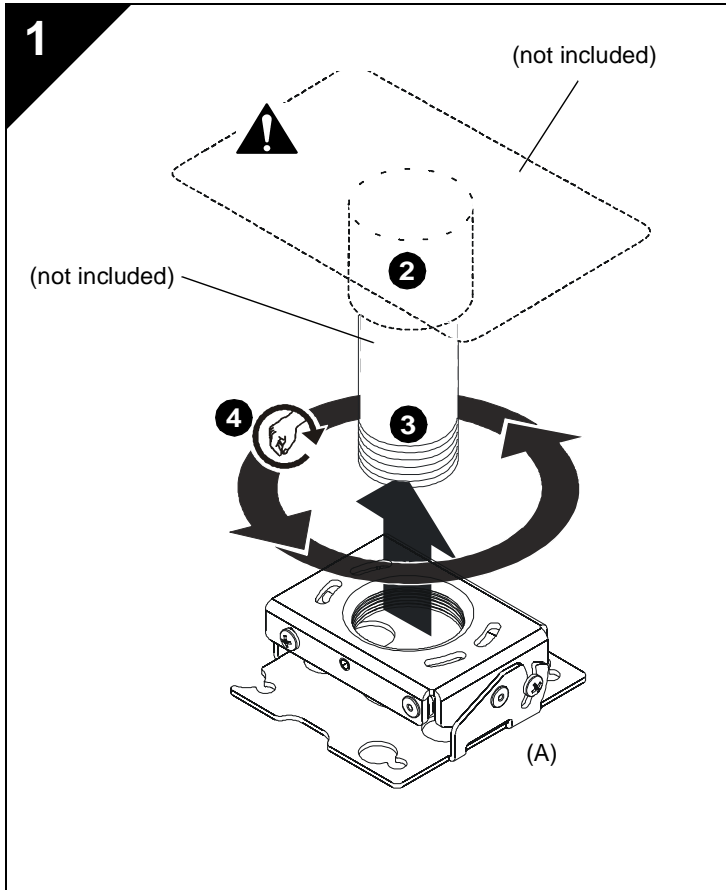
B (1)



All-Points
Security
Kit

(Optional)

Example Only
(Interface bracket varies dependent on projector model)



RSA INSTALLATION

Threaded Pipe Installation

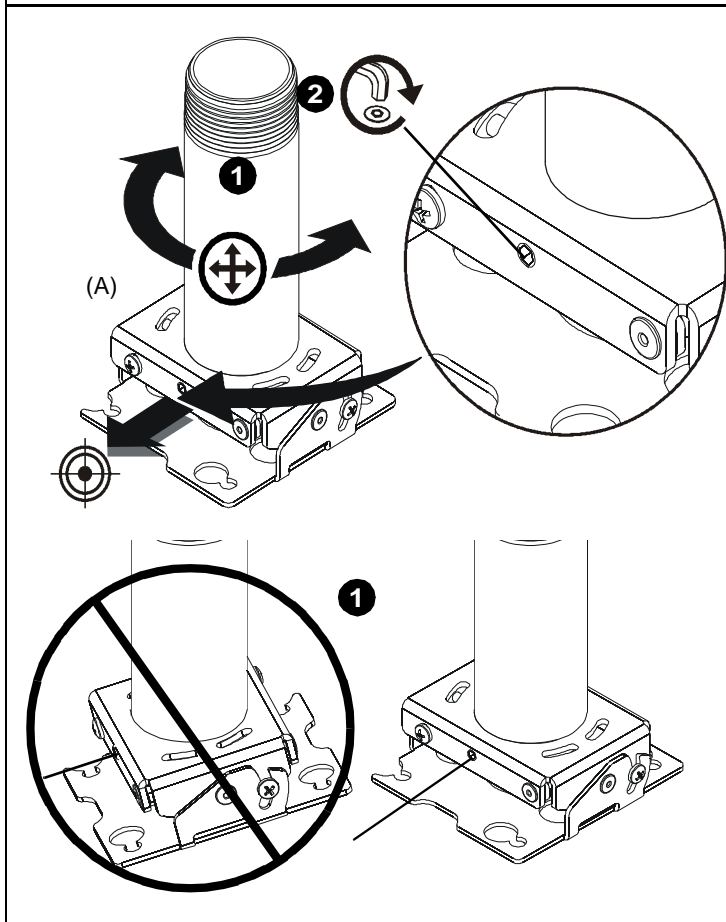
1. Carefully determine required mounting location. **IMPORTANT !** : This will require knowing the lens to screen distance. See projector specifications for details on determining this distance.

2. Using a pipe wrench, install 1-1/2" NPT or NPSM following ANSI/ASME B1.20.1 (Schedule 40, 0.154" minimum thickness steel or aluminum - ASTM B221) threaded extension column (not included) into threaded collar until tight, with a minimum of four threads engaged.

⚠ WARNING: IMPROPER INSTALLATION CAN RESULT IN SERIOUS PERSONAL INJURY OR DAMAGE TO EQUIPMENT! Structural members **MUST** be capable of supporting five times the combined weight of all equipment being mounted.

3. Align RSA with end of NPT pipe.

4. Thread RSA up onto pipe by turning counter-clockwise until hand tight.



Rough Alignment of RSA

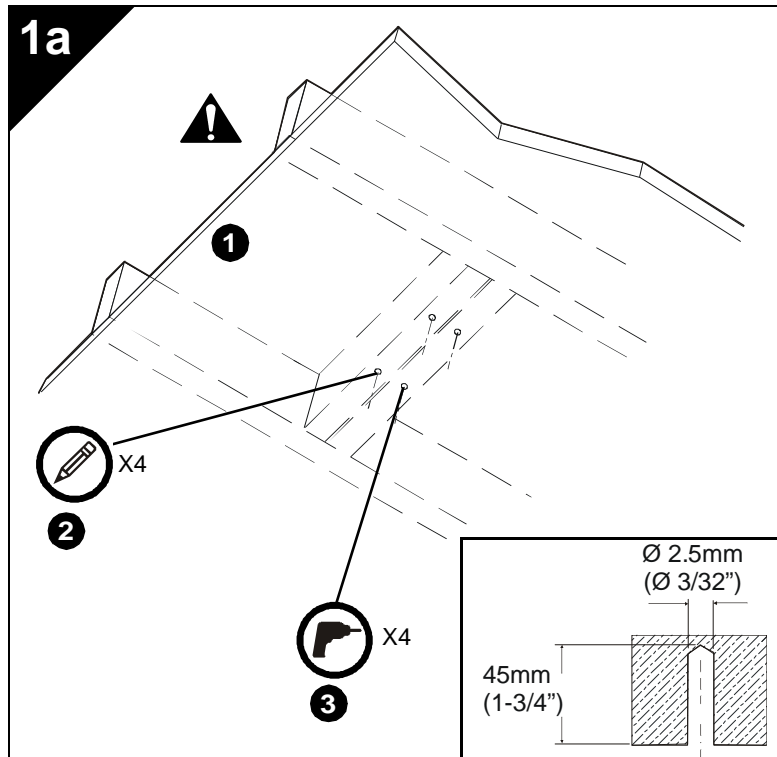
1. Turn RSA clockwise or counter-clockwise until front of mount is facing target.

IMPORTANT ! : When RSA is properly positioned, the set screw access hole should be pointing directly at target. (see bottom detail in figure at left)

2. Secure RSA to pipe by turning set screw with a 5/32" hex key until tight.

⚠ CAUTION: DO NOT OVERTIGHTEN! Over tightening of set screw can damage threads on pipe.

INSTALLATION



Wood Stud Installation

1. Carefully determine required mounting location.
IMPORTANT ! : This will require knowing the lens to screen distance. See projector specifications for details on determining this distance.

WARNING: IMPROPER INSTALLATION CAN RESULT IN SERIOUS PERSONAL INJURY OR DAMAGE TO EQUIPMENT! Structural members **MUST** be capable of supporting five times the combined weight of all equipment being mounted.

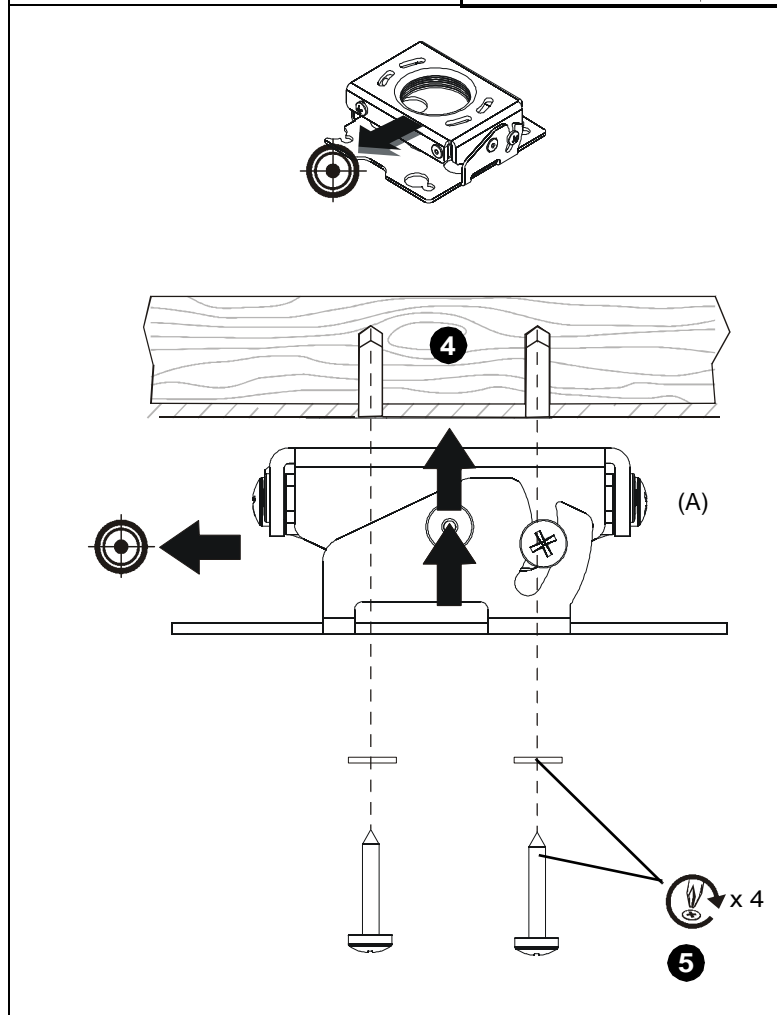
IMPORTANT ! : The RSA mounts are designed to be mounted to double 2" x 4" wood stud cross bracing (1-1/2" on center) between two ceiling joists.

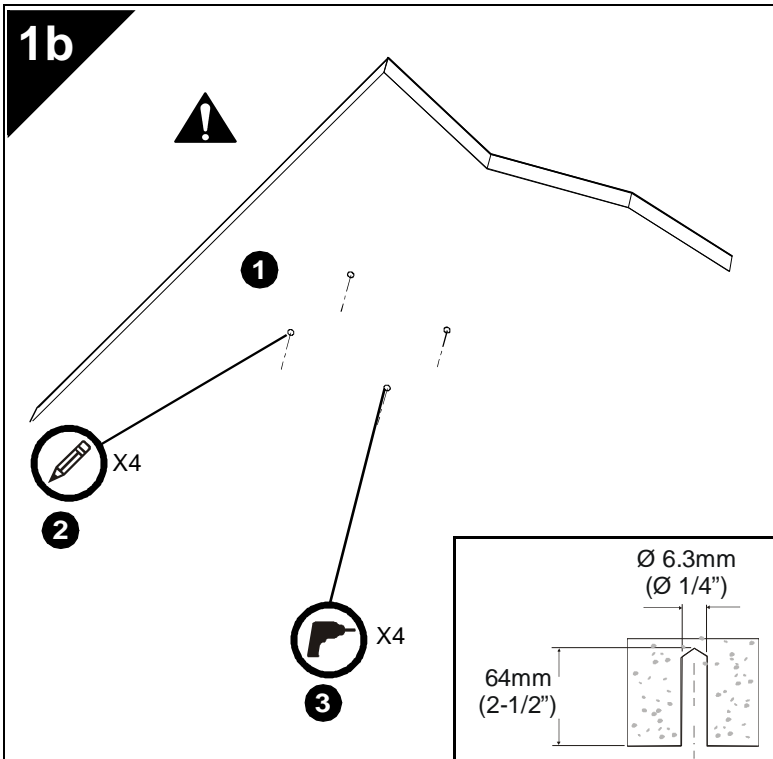
2. Using the RSA as a guide, mark four mounting hole locations with a pencil or similar tool. Hole locations must be centered on 2" x 4" cross braces.
3. Drill four 3/32" (2.5mm) dia. pilot holes to a depth of 1-3/4" (45mm) deep.

4. Align four mounting holes in RSA with four pilot holes.

IMPORTANT ! : Make sure mount is properly oriented towards target before securing to structure.

5. Secure RSA to structure using four #10 flat washers and four #10 x 3" Phillips head wood screws (not included).





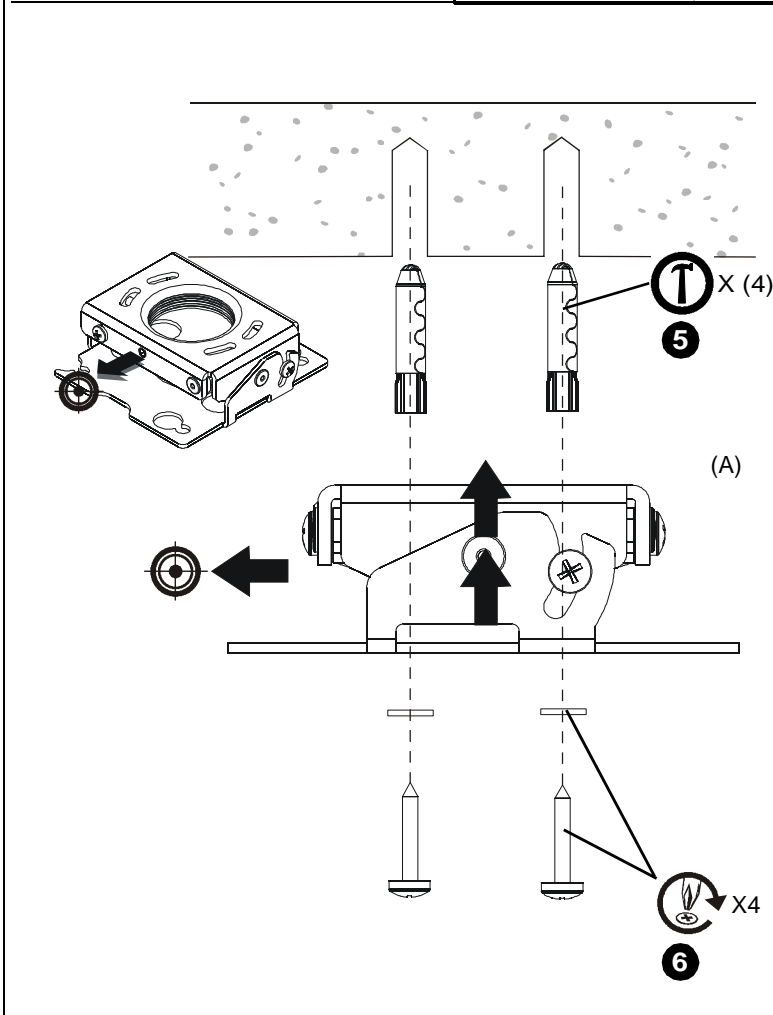
Solid Concrete Installation

1. Determine mounting location.

⚠ WARNING: The RSA is designed to be mounted to a concrete ceiling with a minimum thickness of 8" and a maximum drywall covering of 5/8".

⚠ WARNING: IMPROPER INSTALLATION CAN RESULT IN SERIOUS PERSONAL INJURY OR DAMAGE TO EQUIPMENT! Structural members **MUST** be capable of supporting five times the combined weight of all equipment being mounted.

2. Using the RSA as a guide, mark four mounting hole locations on ceiling using a pencil or similar tool.
3. Drill four 1/4" (6.3mm) diameter pilot holes to a depth of 2-1/2" (64mm) deep.

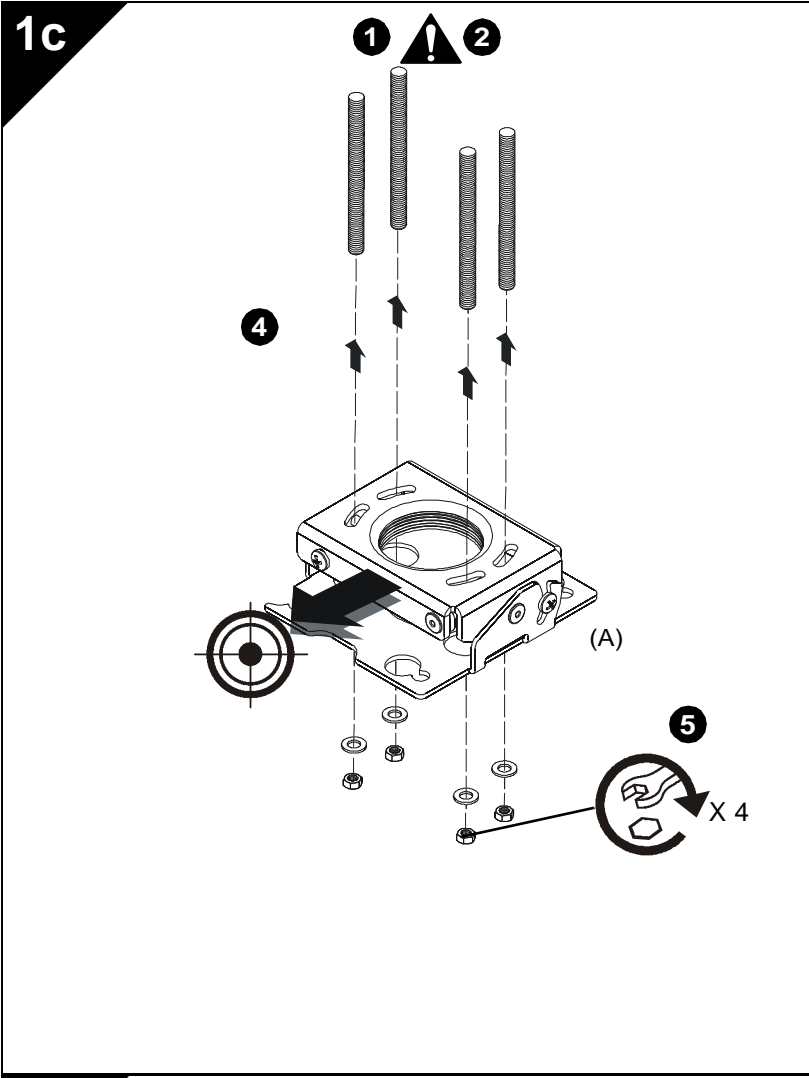


4. Align four mounting holes in RSA with four pilot holes.

IMPORTANT ! : Make sure mount is properly oriented towards target before securing to structure.

⚠ WARNING: Anchors (not provided) must be installed into structurally sound solid concrete. Installation into hollow concrete block, mortar, or concrete that exhibits cracking, spalling, or other defects may result in failure of anchor and serious personal injury or damage to equipment.

5. Install four 3/8" x 2-1/4" Grade 2 concrete anchors (not included) by inserting into pilot holes and pounding in until flush with mounting surface.
6. Secure RSA to structure using four #10 flat washers and four #10 x 3" Phillips head wood screws. (not included)



Threaded Rod Installation

The RSA must be suspended from four 1/4" diameter (minimum) Grade 2 or better threaded rods (not included) which are secured to unistrut, angle or channel assembly overhead structural members (trusses or I-beams) by Grade 2 or better 1/4" channel nuts (not included).



WARNING: IMPROPER INSTALLATION CAN RESULT IN SERIOUS PERSONAL INJURY OR DAMAGE TO EQUIPMENT! Structural members **MUST** be capable of supporting five times the combined weight of all equipment being mounted.

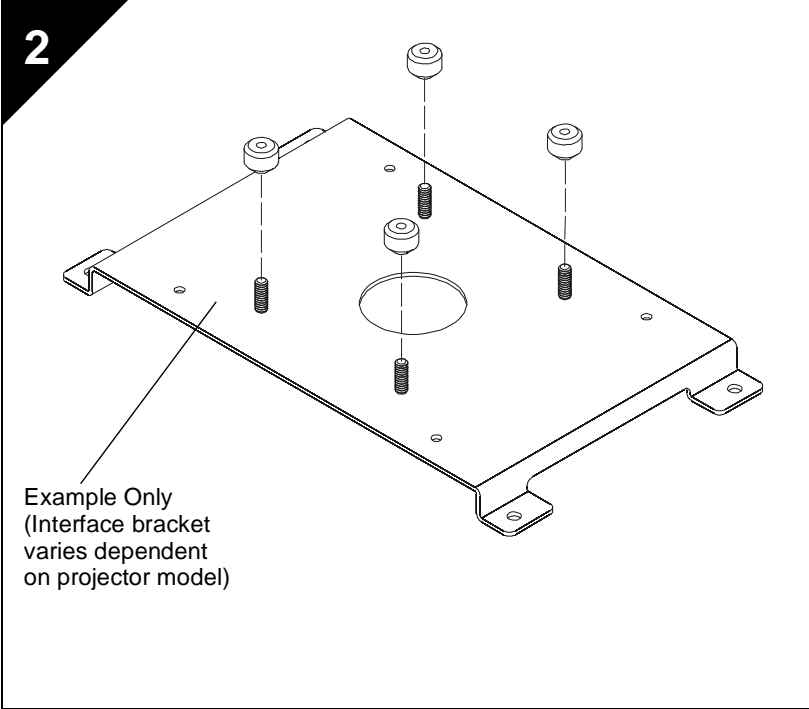
- Carefully determine required mount position.
IMPORTANT ! : This will require knowing the lens to screen distance. See projector specifications for determining this distance.

NOTE: Threaded rod and installation hardware not included.

- Secure one end of the threaded rod to the structural member.
- Install four #10-24 jam nuts on each threaded rod.
- Install the RSA on the threaded rod.

NOTE: Hole in the RSA allows socket wrench access without unit disassembly.

- Secure the RSA to the threaded rod using four 1/4" channel nuts.



PROJECTOR INSTALLATION

IMPORTANT ! : Model RSA uses optional Chief "SSB" Series interface brackets. (See Parts drawing.)

Install Interface Bracket

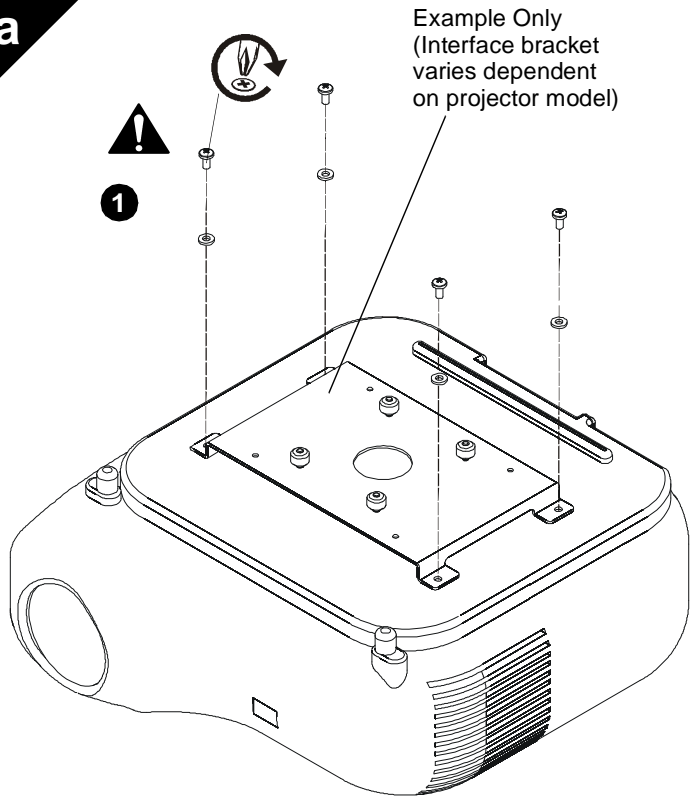
- Partially thread thumb nuts onto Phillips screws until screw end is visible in top of thumb screw.

IMPORTANT ! : DO NOT fully tighten thumb screws at this time.



205 Westwood Ave, Long Branch, NJ 07740
 Phone: 866-94 BOARDS (26273) / (732)-222-1511
 Fax: (732)-222-7088 | E-mail: sales@touchboards.com

2a

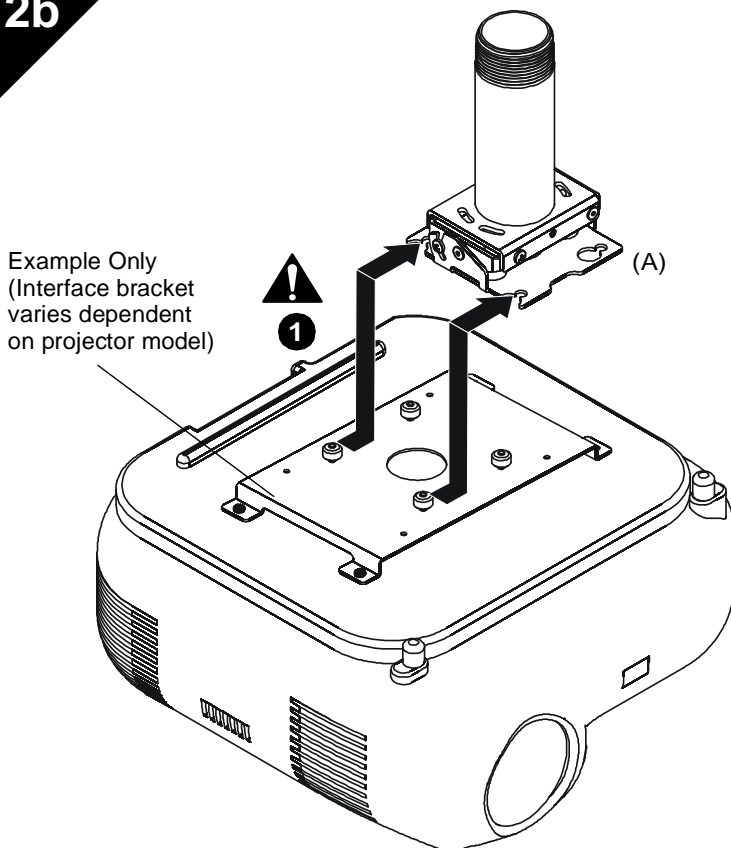


WARNING: IMPROPER INSTALLATION CAN LEAD TO PROJECTOR FALLING RESULTING IN SERIOUS PERSONAL INJURY OR DAMAGE TO EQUIPMENT. DO NOT substitute hardware. Use only the hardware provided by the manufacturer.

1. Secure interface bracket to mount using installation instructions and hardware provided with interface bracket.

NOTE: Interface brackets can be installed using the optional All-Points Security Kit included with the SSB mounting solutions.

2b



Install Projector With Interface Bracket

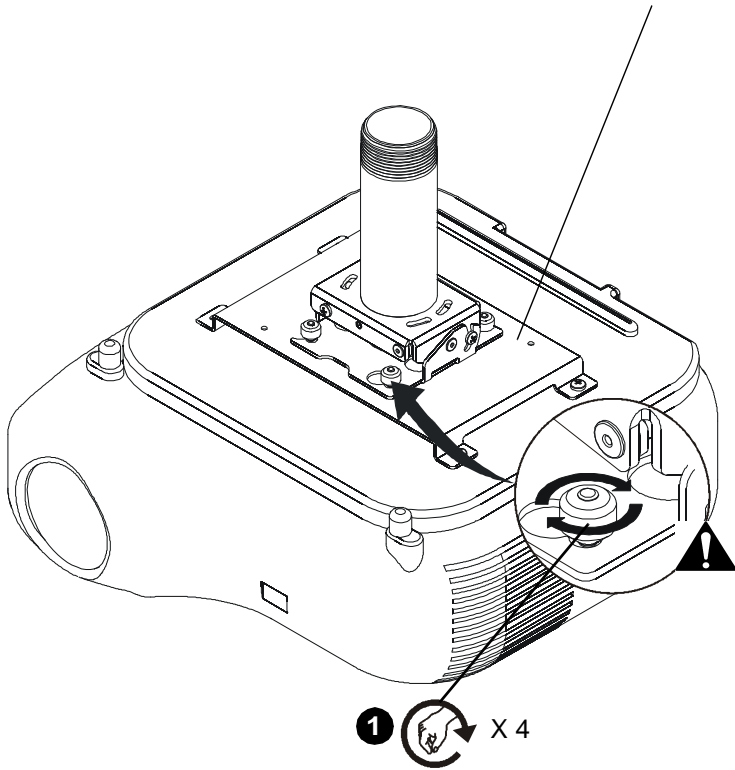
1. Orient projector with interface bracket as shown in figure 2b at left.
2. Lift projector so that screws with thumb nuts are aligned with mounting slots in mount base.
3. Slide projector with mounting bracket onto mounting slots in mount base until screws are seated against the back of mounting slots. See figure 2b and 2c.



WARNING: IMPROPER INSTALLATION CAN LEAD TO PROJECTOR FALLING RESULTING IN SERIOUS PERSONAL INJURY OR DAMAGE TO EQUIPMENT. Make certain mounting slots in mount base slide under thumb screws and that screws are seated in the back of slots.

2c

Example Only
(Interface bracket
varies dependent
on projector model)

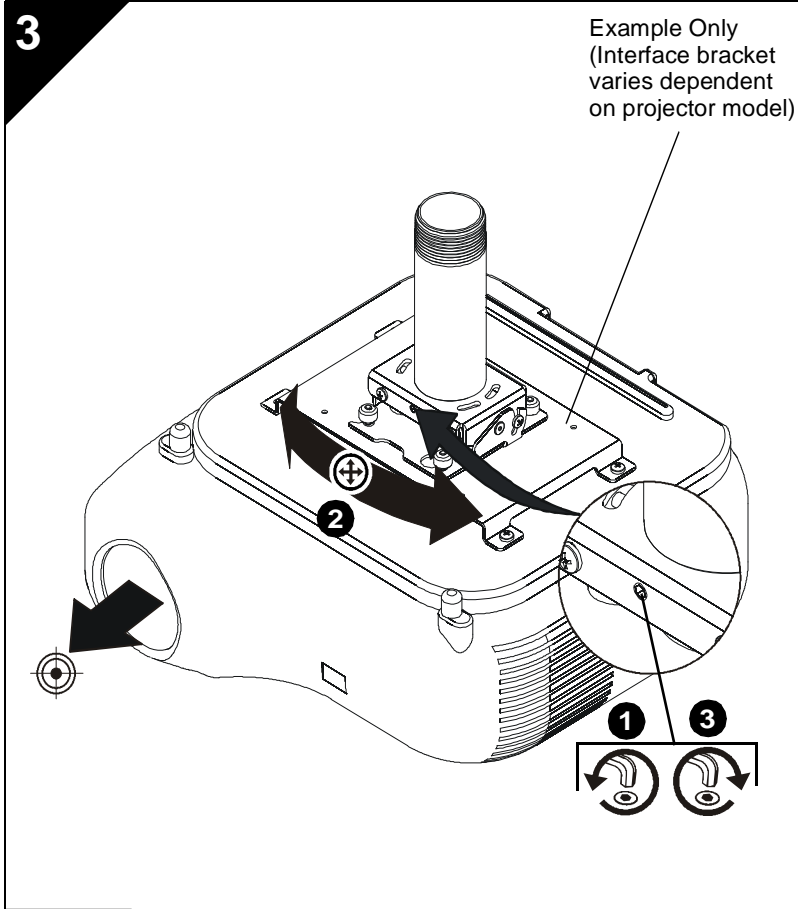


Securing Projector with Interface Bracket to Model RSA Mount.



WARNING: IMPROPER INSTALLATION CAN LEAD TO PROJECTOR FALLING RESULTING IN SERIOUS PERSONAL INJURY OR DAMAGE TO EQUIPMENT. Make certain mounting slots in mount base slide under thumb screws and that screws are seated in the back of slots.

1. Turn thumb nuts until tight to secure projector to mount.



ADJUSTMENTS

YAW Adjustment

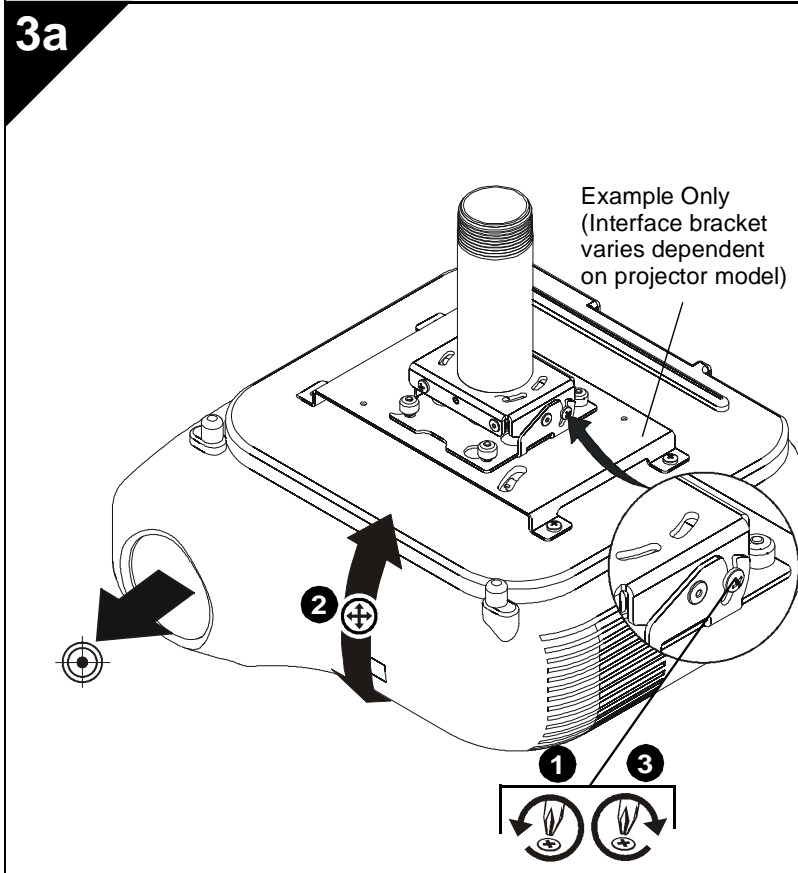
1. Loosen yaw adjustment screw using a 5/32" hex key.

NOTE: Yaw is only adjustable when attached to a threaded pipe.



WARNING: Do not turn the projector to the end of the pipe threads. The projector, interface plate and projector will fall from the pipe if it is unthreaded too far! A minimum of four threads must be engaged in order to ensure a secure connection!

2. Adjust projector by turning the projector on the pipe to the desired yaw position.
3. Tighten yaw adjustment locking screw using a 5/32" hex key.

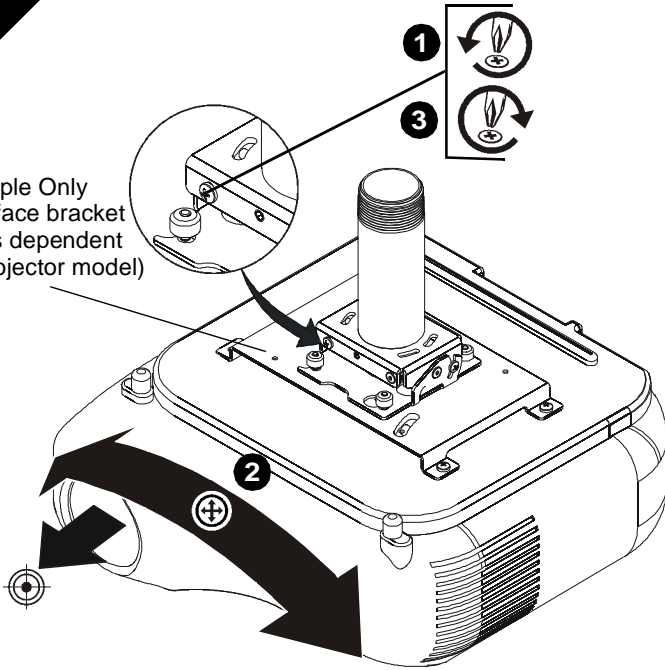


Pitch Adjustment

1. Loosen pitch adjustment locking screw on each end of the RSA projector mount using a #2 Phillips screwdriver.
2. Adjust projector angle to desired pitch.
3. Tighten pitch adjustment locking screw on each end of the RSA projector mount using a #2 Phillips screwdriver.

3b

Example Only
(Interface bracket
varies dependent
on projector model)



Roll Adjustment

1. Loosen roll adjustment locking screw on each side of the RSA projector mount using a #2 Phillips screwdriver.
2. Adjust projector to desired roll position.
3. Tighten roll adjustment locking screw on each side of the RSA projector mount using a #2 Phillips screwdriver.

Touchboards

205 Westwood Ave, Long Branch, NJ 07740
Phone: 866-94 BOARDS (26273) / (732)-222-1511
Fax: (732)-222-7088 | E-mail: sales@touchboards.com



Our Mounts. **Your Vision.**

Chief, a products division of
Milestone AV Technologies

8800-002005 Rev03
©2014 Milestone AV Technologies
www.chiefmfg.com
05/14

USA/International	A 6436 City West Parkway, Eden Prairie, MN 55344 P 800.582.6480 / 952.225.6000 F 877.894.6918 / 952.894.6918
Europe	A Franklinstraat 14, 6003 DK Weert, Netherlands P +31 (0) 495 580 852 F +31 (0) 495 580 845
Asia Pacific	A Office No. 918 on 9/F, Shatin Galleria 18-24 Shan Mei Street Fotan, Shatin, Hong Kong P 852 2145 4099 F 852 2145 4477

