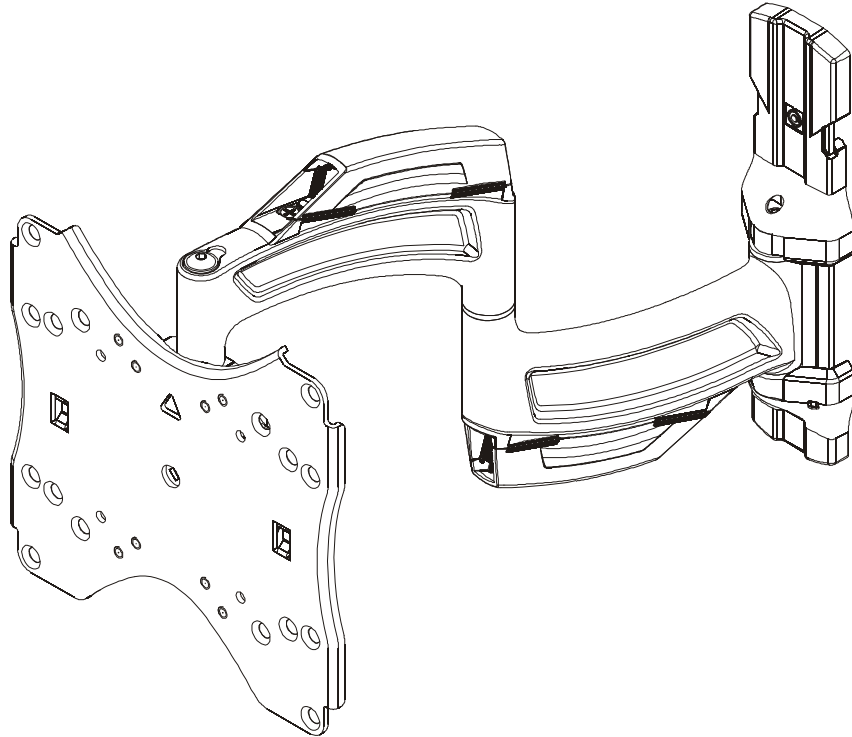

INSTALLATION INSTRUCTIONS



Medium Dual Swing Arm

Touchboards

205 Westwood Ave, Long Branch, NJ 07740

Phone: 866-94 BOARDS (26273) / (732)-222-1511

Fax: (732)-222-7088 | E-mail: sales@touchboards.com

CHIEF[®]

Our Mounts. Your Vision.

TS218SU

DISCLAIMER

Milestone AV Technologies and its affiliated corporations and subsidiaries (collectively "Milestone"), intend to make this manual accurate and complete. However, Milestone makes no claim that the information contained herein covers all details, conditions or variations, nor does it provide for every possible contingency in connection with the installation or use of this product. The information contained in this document is subject to change without notice or obligation of any kind. Milestone makes no representation of warranty, expressed or implied, regarding the information contained herein. Milestone assumes no responsibility for accuracy, completeness or sufficiency of the information contained in this document.

Chief® is a registered trademark of Milestone AV Technologies. All rights reserved.



IMPORTANT WARNINGS AND CAUTIONS!



WARNING: A WARNING alerts you to the possibility of serious injury or death if you do not follow the instructions.



CAUTION: A CAUTION alerts you to the possibility of damage or destruction of equipment if you do not follow the corresponding instructions.



WARNING: Failure to read, thoroughly understand, and follow all instructions can result in serious personal injury, damage to equipment, or voiding of factory warranty! It is the installer's responsibility to make sure all components are properly assembled and installed using the instructions provided.



WARNING: Failure to provide adequate structural strength for this component can result in serious personal injury or damage to equipment! It is the installer's responsibility to make sure the structure to which this component is attached can support five times the combined weight of all equipment. Reinforce the structure as required before installing the component.



WARNING: Use this mounting system only for its intended use as described in these instructions. Do not use attachments not recommended by the manufacturer.



WARNING: Never operate this mounting system if it is damaged. Return the mounting system to a service center for examination and repair.



WARNING: Do not use this product outdoors.



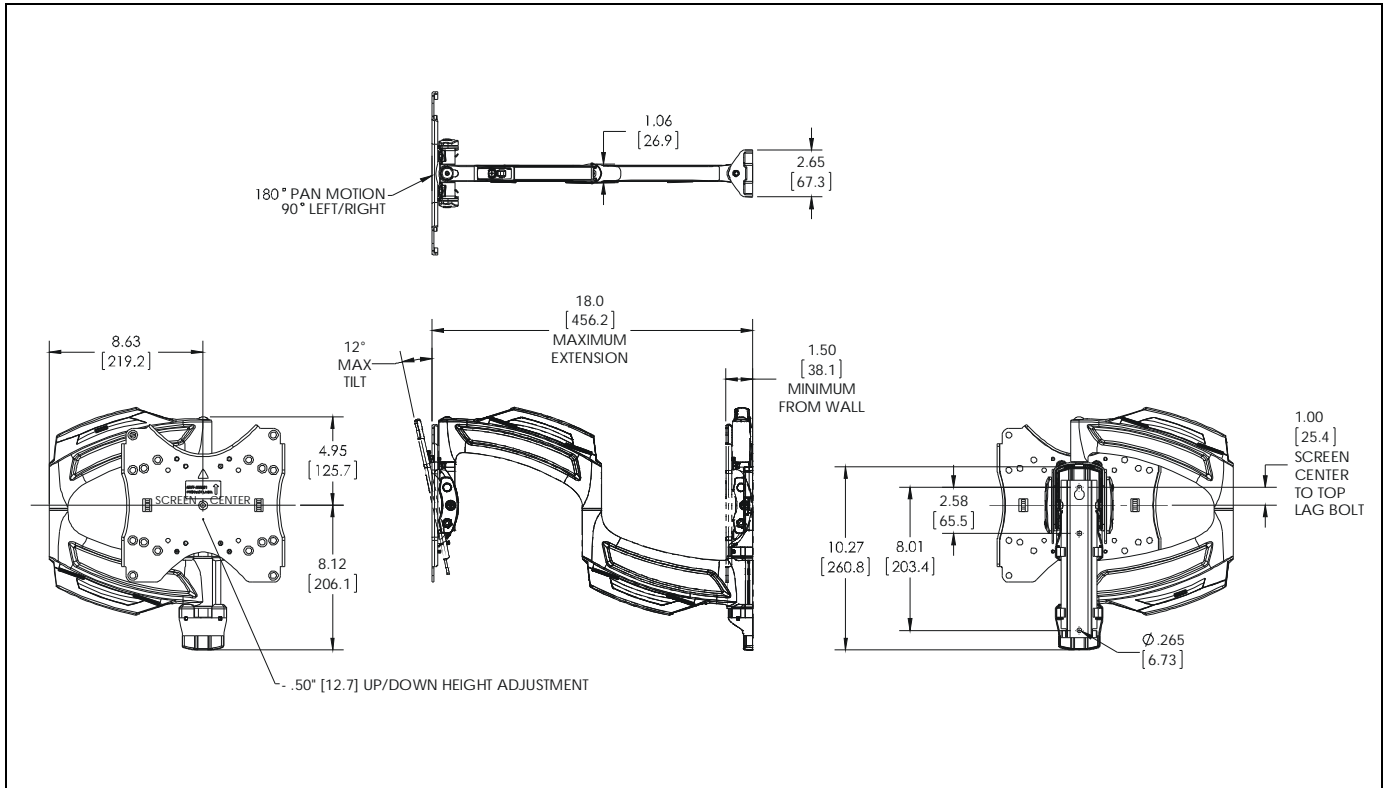
WARNING: The wall to which the mount is being attached may have a maximum drywall thickness of 5/8" (1.6cm). Do not install drywall anchors into the seam between drywall pieces.



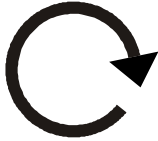











WARNING: Exceeding the weight capacity can result in serious personal injury or damage to equipment! It is the installer's responsibility to make sure the combined weight of all components attached does not exceed 75 lbs (34 kg). Use with products heavier than the maximum weight indicated may result in collapse of the mount and its accessories causing possible injury.

IMPORTANT ! : The TS218SU mount is designed to be mounted to an 8" concrete, 8"x8"x16" concrete block, clay brick or 2" x 4" wood studs (16" on center).

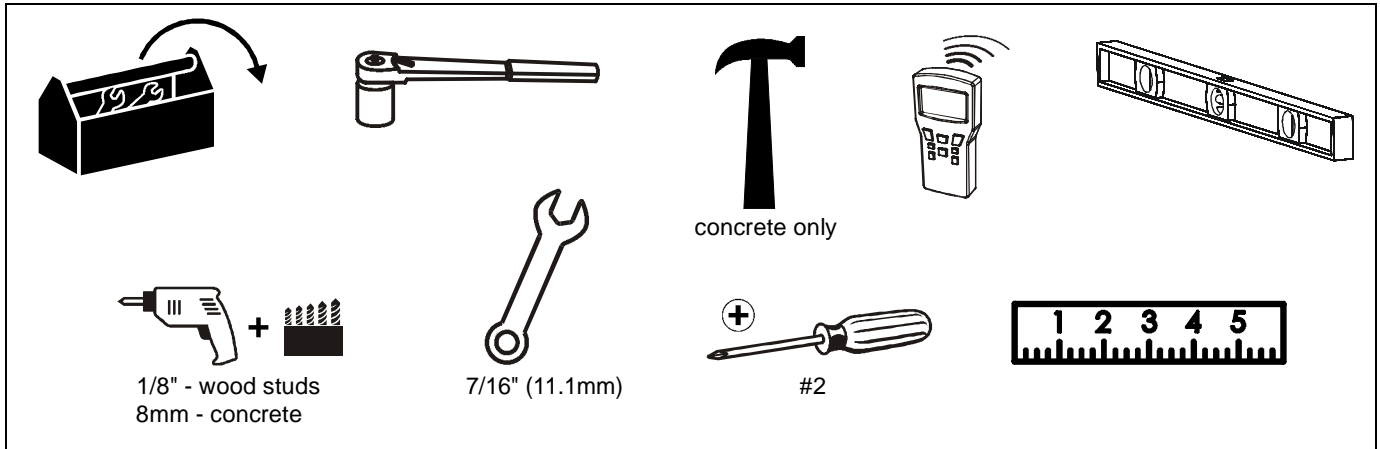
DIMENSIONS



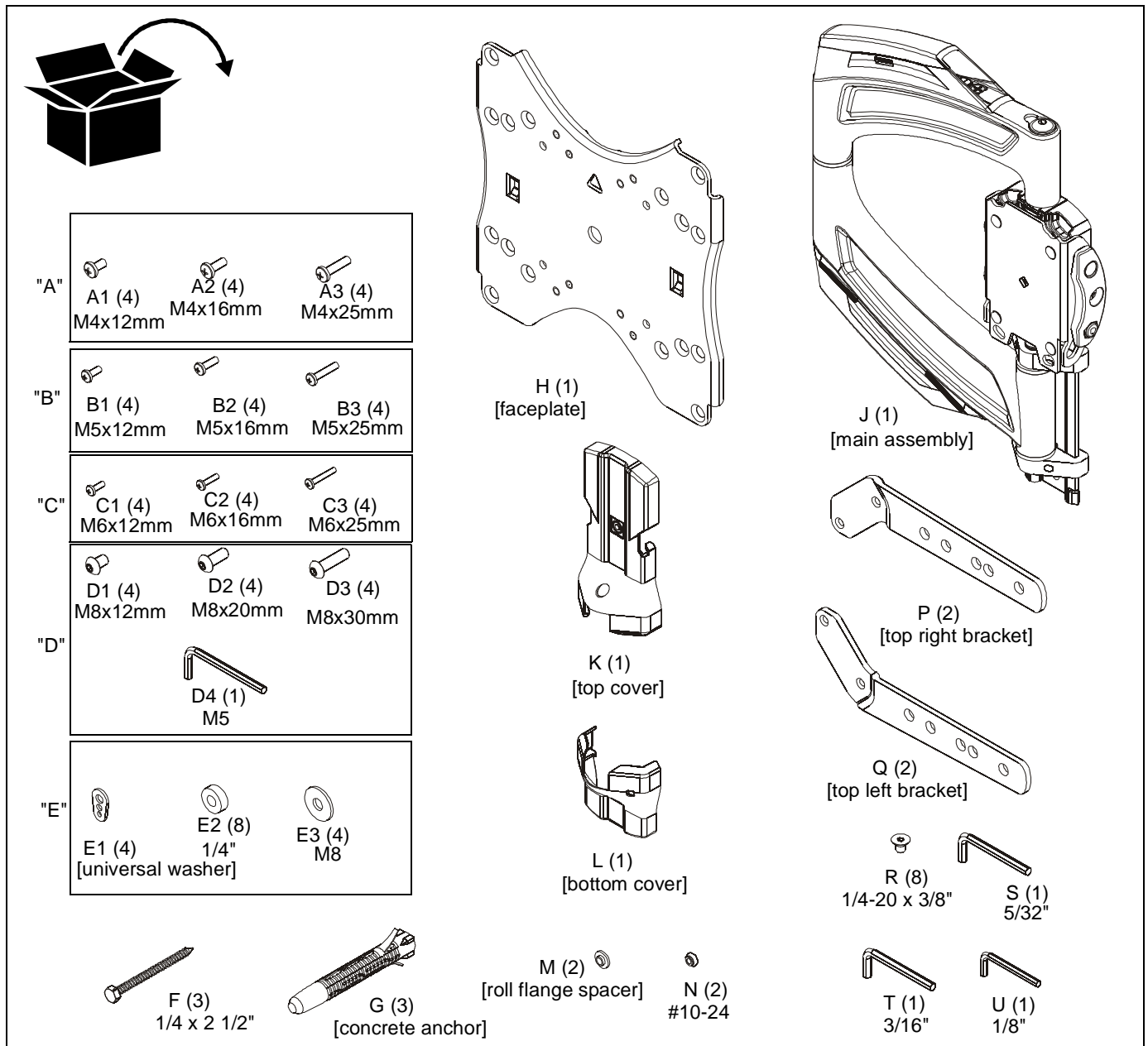
LEGEND

	Tighten Fastener Apretar elemento de fijación Befestigungsteil festziehen Apertar fixador Serrare il fissaggio Bevestiging vastdraaien Serrez les fixations		Pencil Mark Marcar con lápiz Stiftmarkierung Marcar com lápis Segno a matita Potloodmerkteken Marquage au crayon
	Loosen Fastener Aflojar elemento de fijación Befestigungsteil lösen Desapertar fixador Allentare il fissaggio Bevestiging losdraaien Desserrez les fixations		Drill Hole Perforar Bohrloch Fazer furo Praticare un foro Gat boren Percez un trou
	Phillips Screwdriver Destornillador Phillips Kreuzschlitzschraubendreher Chave de fendas Phillips Cacciavite a stella Kruiskopschroevendraaier Tournevis à pointe cruciforme		Adjust Ajustar Einstellen Ajustar Regolare Afstellen Ajuster
	Open-Ended Wrench Llave de boca Gabelschlüssel Chave de bocas Chiave a punte aperte Steeksleutel Clé à fourche		Remove Quitar Entfernen Remover Rimuovere Verwijderen Retirez
	By Hand A mano Von Hand Com a mão A mano Met de hand À la main		Optional Opcional Optional Opcional Opzionale Optie En option
	Hex-Head Wrench Llave de cabeza hexagonal Sechskantschlüssel Chave de cabeça sextavada Chiave esagonale Zeskantsleutel Clé à tête hexagonale		Security Wrench Llave de seguridad Sicherheitsschlüssel Chave de segurança Chiave di sicurezza Veiligheidsleutel Clé de sécurité

TOOLS REQUIRED FOR INSTALLATION



PARTS



Assembly And Installation

Install to Wall

Install Main Assembly to Wall - Wood Studs



WARNING: Failure to provide adequate structural strength for this component can result in serious personal injury or damage to equipment! It is the installer's responsibility to make sure the structure to which this component is attached can support five times the combined weight of all equipment. Reinforce the structure as required before installing the component. The wall to which the mount is being attached may have a maximum drywall thickness of 5/8" (1.6cm).

1. Determine mounting location.
2. Measure 1" above desired center line of display and mark a hole at desired mounting location on the center of wood stud. (See Figure 1)

IMPORTANT ! : Use a level to make sure main assembly (J) is level when mounted to the wall!

IMPORTANT ! : The TS218SU mount is designed to be mounted to a 2" x 4" wood studs (16" on center) wall.

3. Drill one 1/8" hole at location marked in Step 2. (See Figure 1)

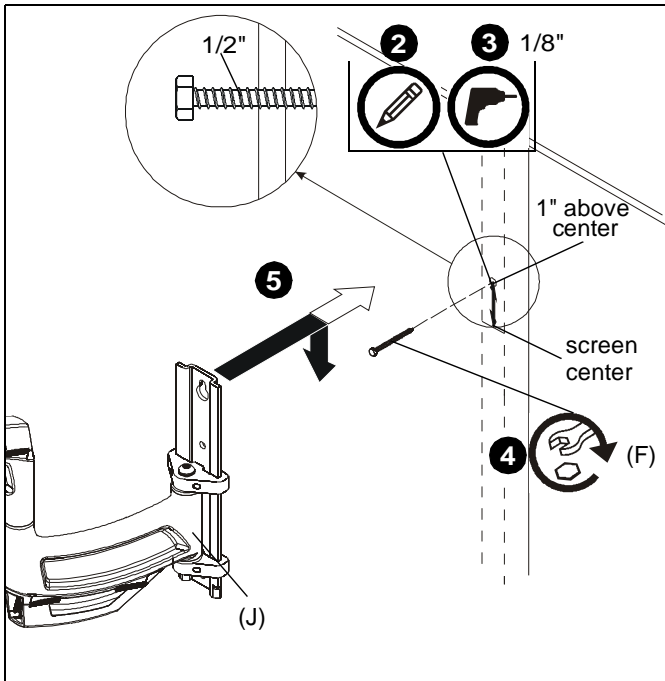


Figure 1

4. Install one 1/4 x 2 1/2" lag bolt (F) into hole, leaving screw hanging out 1/2" from the wall. (See Figure 1)
5. Hang main assembly (J) onto lag bolt (F) by latching key-shaped hole over top of bolt. (See Figure 1)
6. Mark two holes at lower mounting hole locations. (See Figure 2)
7. Remove main assembly (J) from wall.

8. Drill two 1/8" holes at locations marked in Step 6. (See Figure 2)
9. Hang main assembly (J) back onto wall.
10. Install two 1/4 x 2 1/2" lag bolts (F) into holes drilled in Step 8 to secure mount to wall. (See Figure 2)
11. Tighten all three lag bolts (F) to fully secure mount to wall.

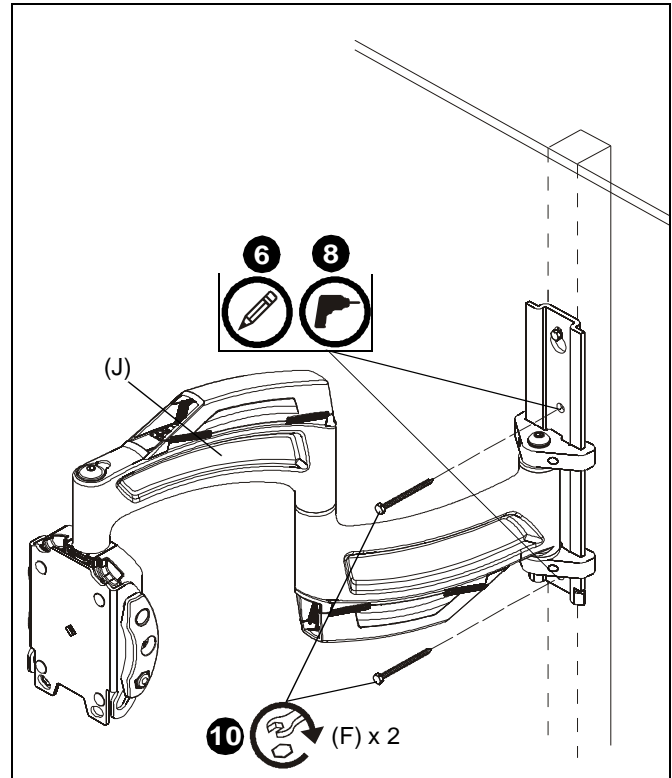


Figure 2

12. Proceed ahead to Display Installation Section on page 8.

Install Main Assembly to Wall - Hollow Concrete Block, Poured Concrete or Clay Brick

WARNING: Failure to provide adequate structural strength for this component can result in serious personal injury or damage to equipment! It is the installer's responsibility to make sure the structure to which this component is attached can support five times the combined weight of all equipment. Reinforce the structure as required before installing the component.

WARNING: The wall to which the mount is being attached may have a maximum drywall thickness of 5/8" (1.6cm). Do not install drywall anchors into the seam between drywall pieces.

WARNING: INSTALLING THE TS218SU INTO UNDERRATED OR DAMAGED CONCRETE CAN LEAD TO SERIOUS INJURY OR DAMAGE TO PRODUCT! Never install the TS218SU into cracked, chipped or flaking concrete.

1. Determine mounting location.
2. Measure 1" above desired center line and mark a hole at desired mounting location. (See Figure 3)

IMPORTANT ! : Use a level to make sure main assembly (J) is level when mounted to the wall!

IMPORTANT ! : The TS218SU mount is designed to be mounted to an 8" concrete, 8"x8"x16" concrete block or clay brick wall.

3. Drill one 8mm hole at location marked in Step 2. (See Figure 3)

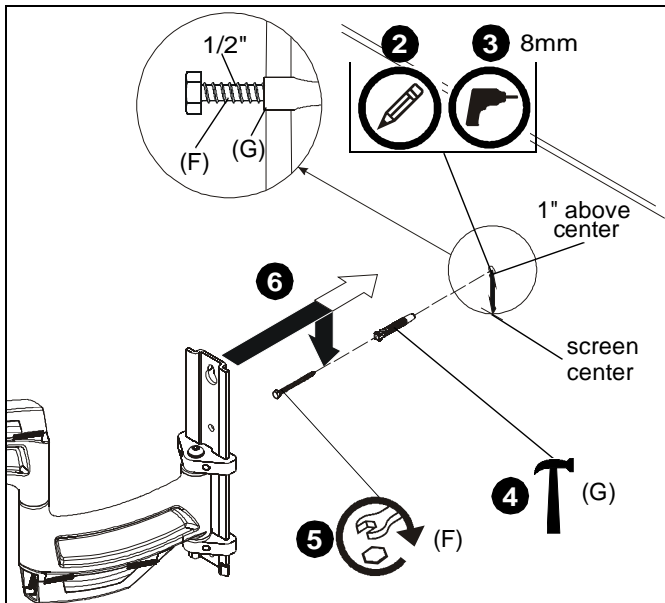


Figure 3

4. Install one concrete anchor (G) into drilled hole. (See Figure 3)
5. Install one 1/4 x 2 1/2" lag bolt (F) into concrete anchor (G), leaving bolt hanging out 1/2" from the wall. (See Figure 3)
6. Hang main assembly (J) onto lag bolt (F) by latching key-shaped hole over top of bolt. (See Figure 3)
7. Mark two holes at lower mounting hole locations. (See Figure 4)
8. Remove main assembly (J) from wall.
9. Drill two 8mm holes at marked locations. (See Figure 4)
10. Install two concrete anchors (G) into holes. (See Figure 4)
11. Hang main assembly (J) back onto wall.
12. Install two 1/4 x 2 1/2" lag bolts (F) into concrete anchors (G) to secure mount to wall. (See Figure 4)
13. Tighten all lag bolts (F) to fully secure mount to wall.

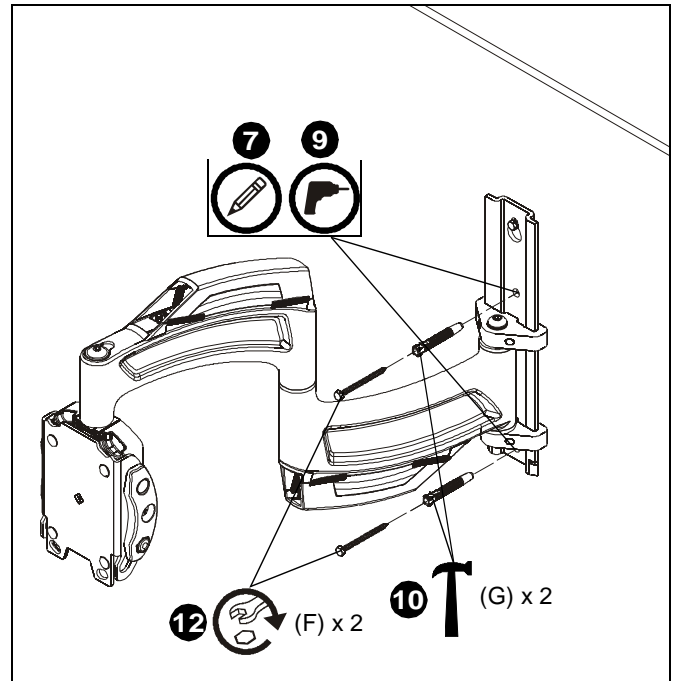


Figure 4

Display Installation

Install Interface Brackets to Faceplate (if necessary)

IMPORTANT ! : If the displays hole pattern size is 100mm x 100mm, 200mm x 100mm or 200mm x 200mm, the display can be mounted directly to the faceplate and the interface brackets **DO NOT** need to be installed! Proceed to Attach Faceplate to Display Without Interface Brackets Section.

1. Refer to chart in Figure 5 or enclosed quick-install sheet to determine the configuration to follow to assemble interface brackets to faceplate.

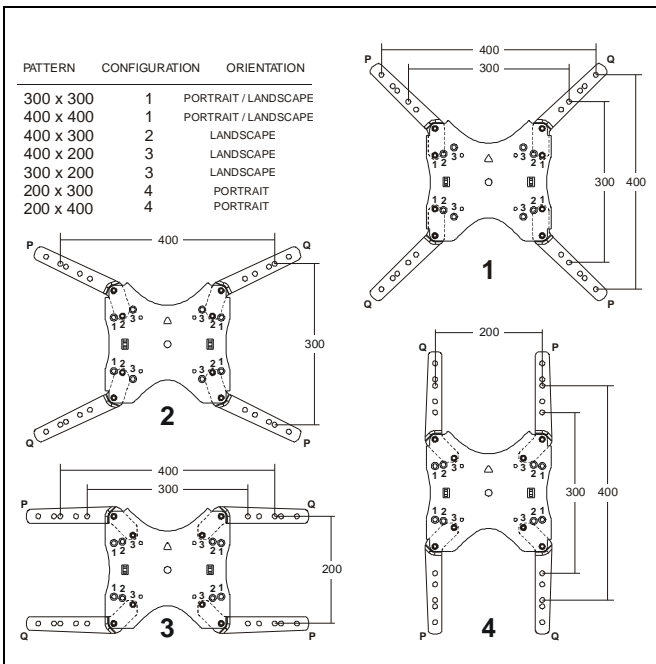


Figure 5

2. Use 5/32" hex key (S) and eight 1/4-20 x 3/8" flat head cap screws (R) to connect top right brackets (P) and top left brackets (Q) to faceplate (H). (See Figure 6) or (See Figure 7) for portrait mounting

NOTE: If portrait mounting to a 200 x 300 or 200 x 400 mounting pattern, the interface brackets (Q and P) are reversed from the other orientations. (See Figure 5) and (See Figure 7)

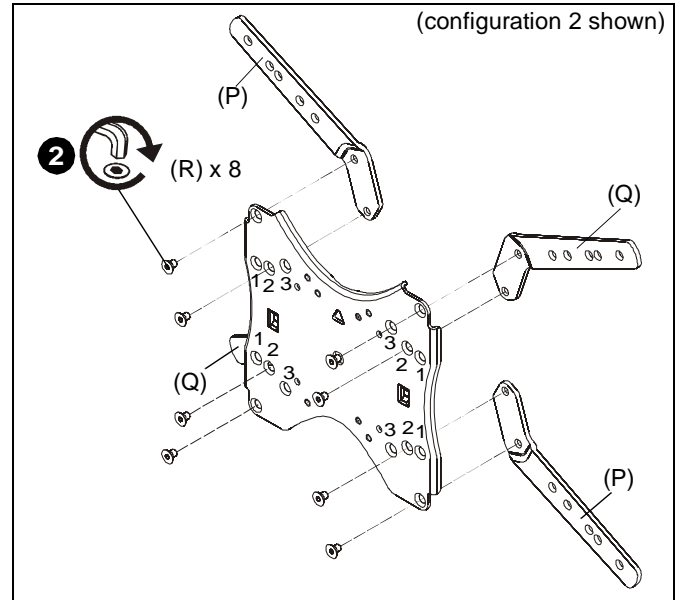


Figure 6

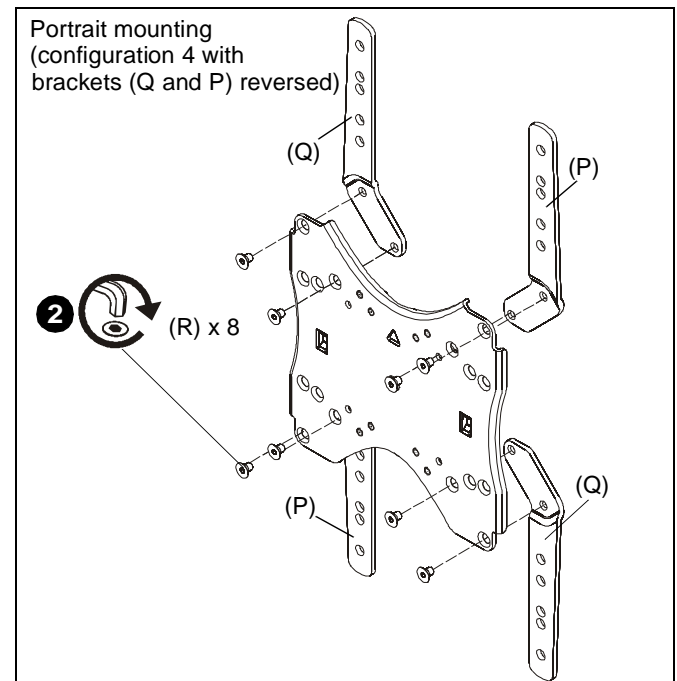


Figure 7

Attach Faceplate to Display Using Interface Brackets

1. Lay display face down on protective surface.



CAUTION: Using screws of improper diameter may damage your display! Proper screws will easily thread into display mounting holes.

2. Select screw *diameter* by examining hardware (A-D) (4mm, 5mm, 6mm or 8mm) and comparing with mounting holes on display. (See Figure 8)
3. Select spacers: (See Figure 8)
 - If mounting holes are not recessed and interface brackets (P and Q) can lay flat against display, then no spacers are required.
 - If mounting holes are recessed, or if protrusions prevent brackets (P and Q) from laying flat, then spacers (E2) must be used.



CAUTION: Using screws of improper length may damage your display! Proper screws will have adequate thread engagement without contacting bottom of display mounting holes.

4. Select screw *length*: (See Figure 8)
 - Using your hand, insert **SHORTEST** length screw of selected diameter (A1, B1, C1 or D1) through universal washer (E1) or M8 washer (E3), bracket (P or Q), selected spacer (E2, if required), into display mounting hole. Do **NOT** thread screw into hole at this time.
- NOTE:** If using M8 button head cap screws (D1-D3), use M8 washers (E3) rather than universal washers (E1).
- Proper screw length requires base of screw head to protrude above flat washer a *distance equal to or greater than the screw diameter*. If screw length is inadequate, select longer screw. Select *shortest* screw which will protrude the required distance.
5. Use selected screws and spacers to connect interface brackets to back of display. (See Figure 8) or (See Figure 9) for portrait mounting

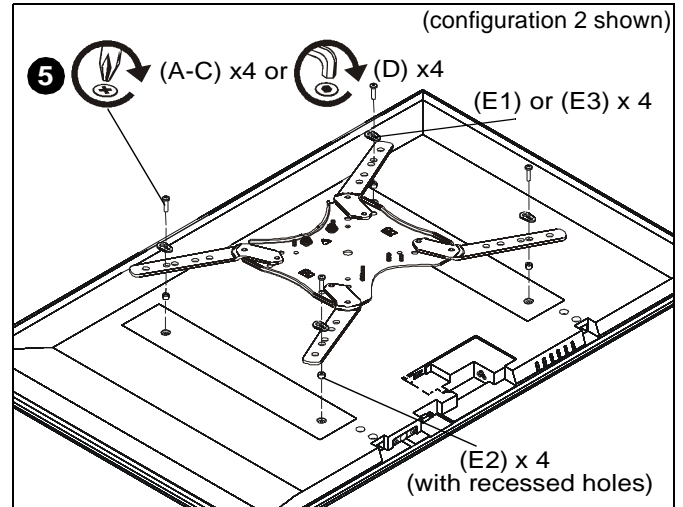


Figure 8

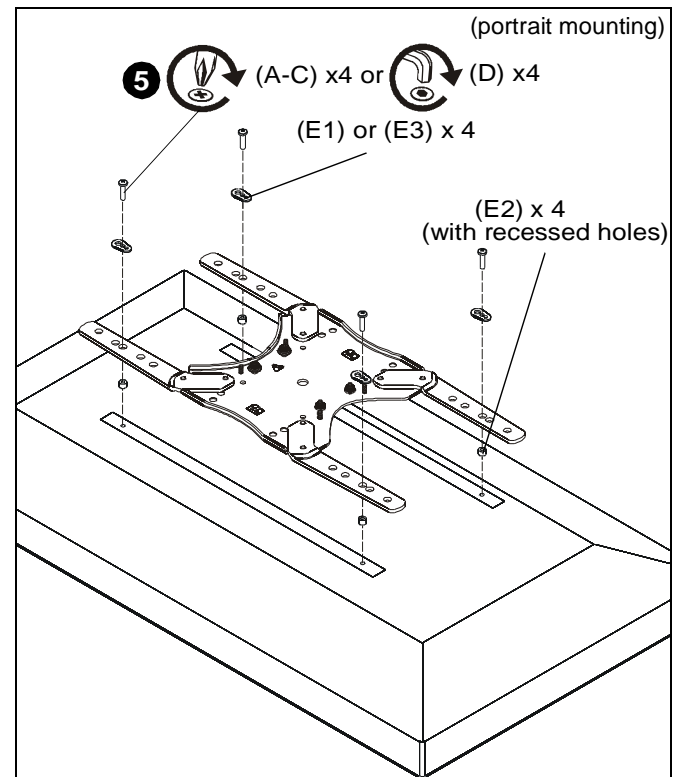


Figure 9

Attach Faceplate to Display Without Interface Brackets (100x100 or 200x200 or 100x200 hole patterns)

1. Lay display face down on protective surface.
2. Determine hole configuration to be used on faceplate. (See Figure 10)

NOTE: Displays may be mounted in a landscape or portrait position in each of these configurations.

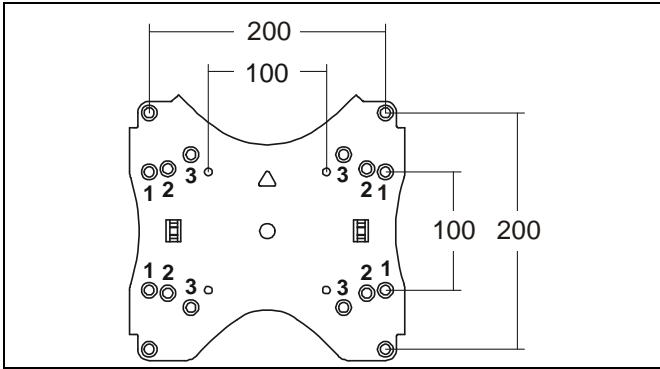


Figure 10



CAUTION: Using screws of improper diameter may damage your display! Proper screws will easily thread into display mounting holes.

3. Select screw *diameter* by examining hardware (A-D) (4mm, 5mm, 6mm or 8mm) and comparing with mounting holes on display. (See Figure 11)
4. Select spacers: (See Figure 11)
 - If mounting holes are not recessed and faceplate (H) can lay flat against display, then no spacers are required.
 - If mounting holes are recessed, or if protrusions prevent faceplate (H) from laying flat, then spacers (E2) must be used.



CAUTION: Using screws of improper length may damage your display! Proper screws will have adequate thread engagement without contacting bottom of display mounting holes.

5. Select screw *length*: (See Figure 11)
 - Using your hand, insert **SHORTEST** length screw of selected diameter (A1, B1, C1 or D1) through universal washer (E1) or M8 washer (E3), faceplate (H), selected spacer (E2, if required), into display mounting hole. Do NOT thread screw into hole at this time.

NOTE: If using M8 button head cap screws (D1-D3), use M8 washers (E3) rather than universal washers (E1).

- Proper screw length requires base of screw head to protrude above flat washer a *distance equal to or greater than the screw diameter*. If screw length is inadequate, select longer screw. Select *shortest* screw which will protrude the required distance.

6. Use selected screws and spacers to connect interface brackets to back of display. (See Figure 11)

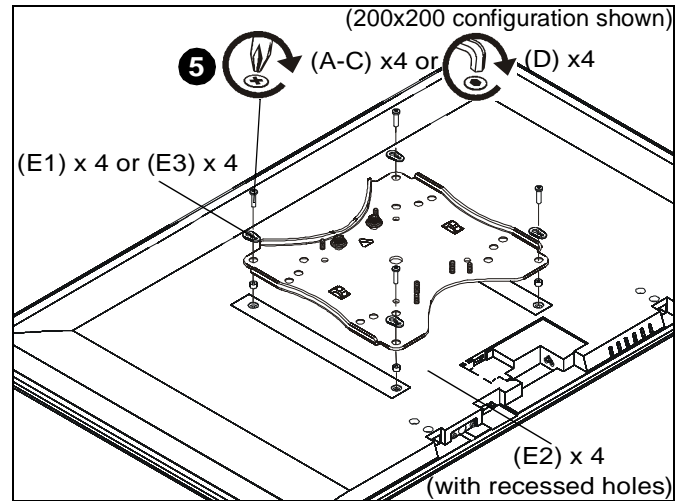


Figure 11

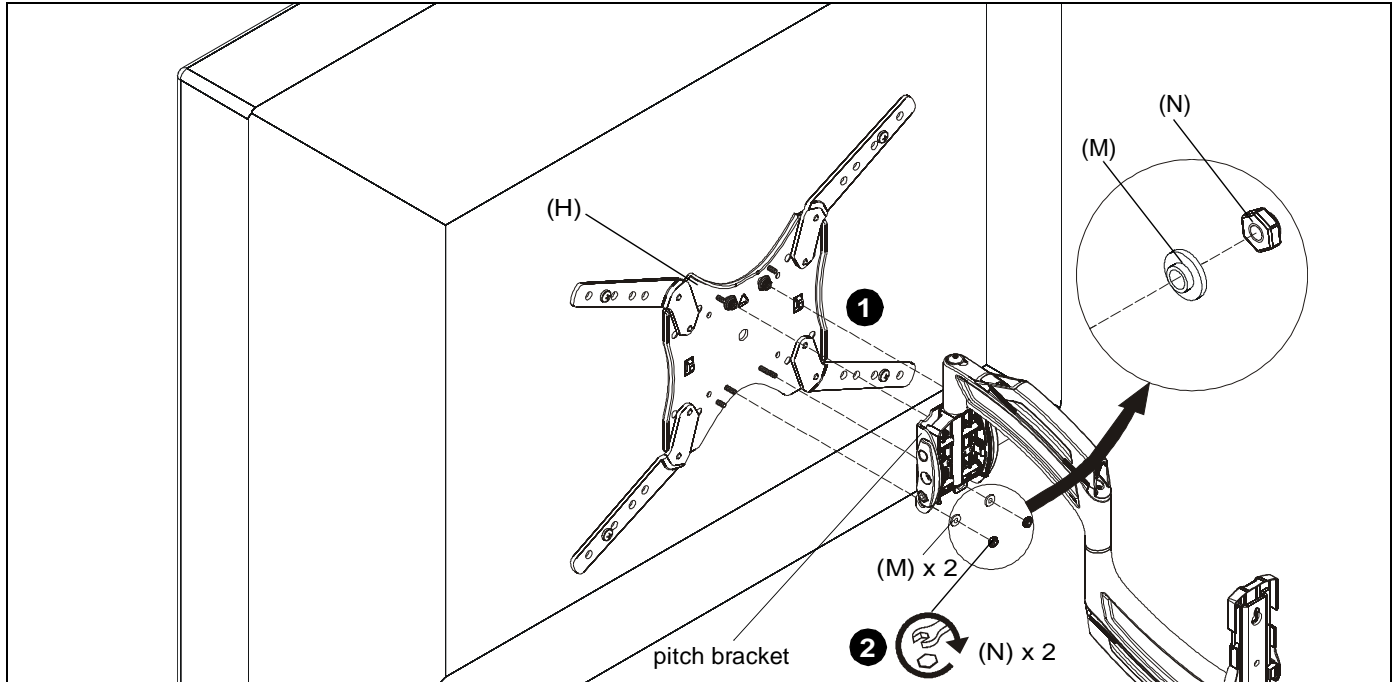


Figure 12

Install Display to Main Assembly



WARNING: Exceeding the weight capacity can result in serious personal injury or damage to equipment! It is the installer's responsibility to make sure the combined weight of all components attached does not exceed 75 lbs (34 kg). Use with products heavier than the maximum weight indicated may result in collapse of the mount and its accessories causing possible injury.



WARNING: Display may be very heavy! Ensure display can be safely lifted and maneuvered as required to install on wall plate. Failure to take adequate precautions can result in serious personal injury or damage to equipment!

1. Hang faceplate (H) to main assembly (J) by placing two mounting buttons near top of faceplate over two teardrop grooves on top of main assembly's pitch bracket. (See Figure 12)
2. Secure faceplate to pitch bracket by installing two #10-24" flange nuts (N) and two roll flange spacers (M) onto screws on faceplate (H). (See Figure 12)

IMPORTANT ! : Make sure roll flange spacers (M) are installed with the flat side directly against the flange nuts (N)! (See Inset View on Figure 12)

NOTE: Overtightening nuts will result in limited or no roll adjustment. If manual roll adjustment is desired, do not overtighten nuts.

Wall Cover Installation



CAUTION: Wall covers are fragile and may be damaged or broken if installed with excessive force! Use caution when installing and removing wall covers.

1. Install top cover (K) onto upper section of wall plate. (See Figure 13)
2. Install bottom cover (L) onto lower section of wall plate. (See Figure 13)

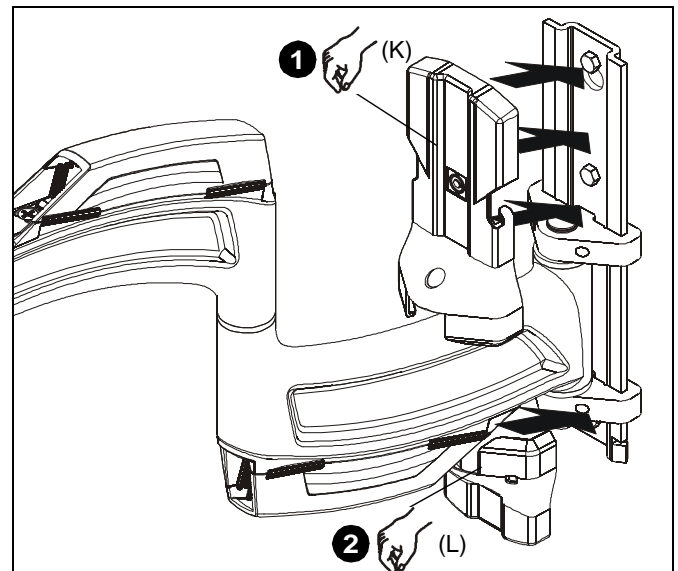


Figure 13

Cable Management

1. Make all cable connections to display.
2. Open cable management covers on upper and lower swing arms by unhinging center tabs and lifting covers to the open position. (See Figure 14)

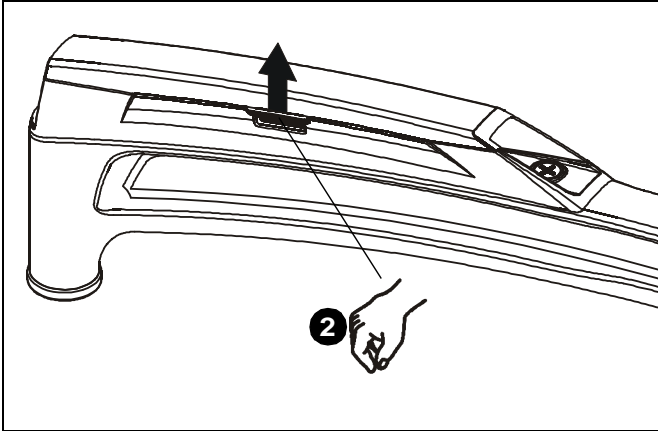


Figure 14

3. Route cables on top of upper arm. (See Figure 15)
4. (Optional) Use cable ties (not included) to secure cables to upper arms by threading ties around cable and through cable tie holes on arms. (See Figure 15)
5. Close upper cable management cover. (See Figure 15)
6. Route cables under lower portion of swing arm. (See Figure 15)
7. (Optional) Use cable ties (not included) to secure cables to lower arms by threading ties around cable and through cable tie holes on arms. (See Figure 15)
8. Close lower cable management cover. (See Figure 15)

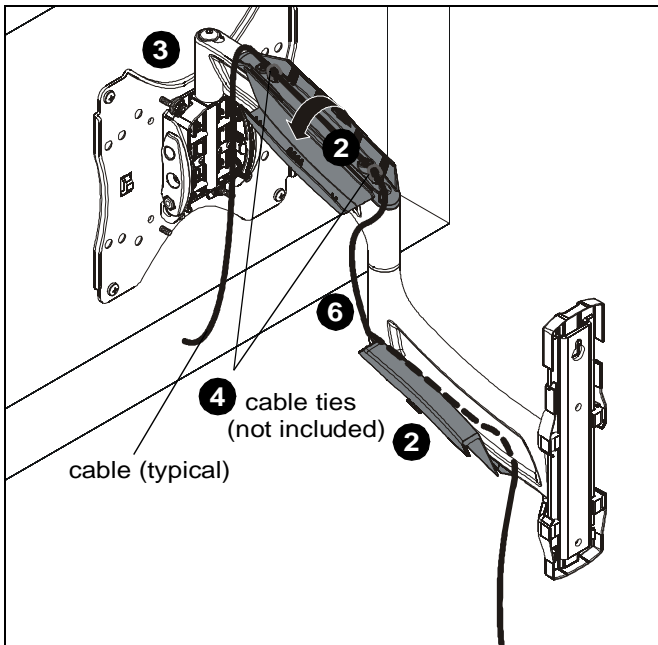


Figure 15

Height Adjustment

The TS218SU may be adjusted 1/2" up or down after installation to the wall.

1. Remove display from main assembly.
2. Remove top and bottom covers (K and L) to expose height adjustment screws.
3. Use 1/8" hex key (U) to loosen four height adjustment screws. (See Figure 16)
4. Raise or lower mount until desired height is achieved. (See Figure 16)

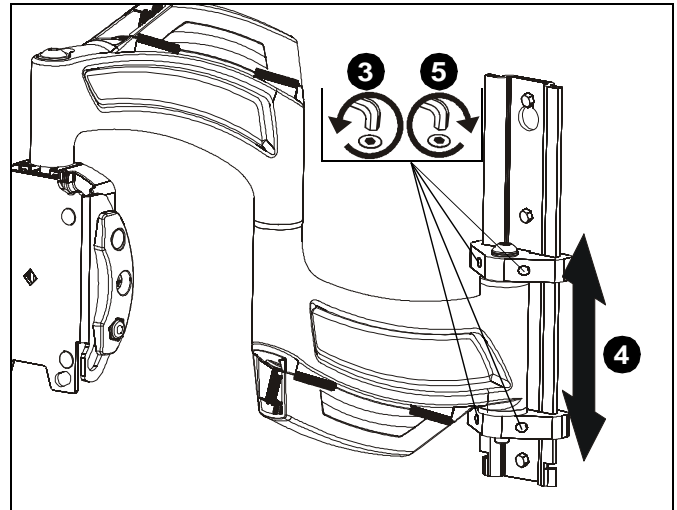


Figure 16

5. Tighten four height adjustment screws. (See Figure 16)
6. Reinstall top and bottom covers (K and L).
7. Reinstall display.

Roll Adjustment

NOTE: If flange nuts (N) were not fully tightened when display was installed, the roll may be adjusted manually without loosening the nuts further.

1. Loosen two flange nuts (N) to decrease roll tension. (See Figure 17)
2. Adjust roll position of display as desired. (See Figure 17)
3. Tighten two flange nuts (N) to increase roll tension, if desired. (See Figure 17)

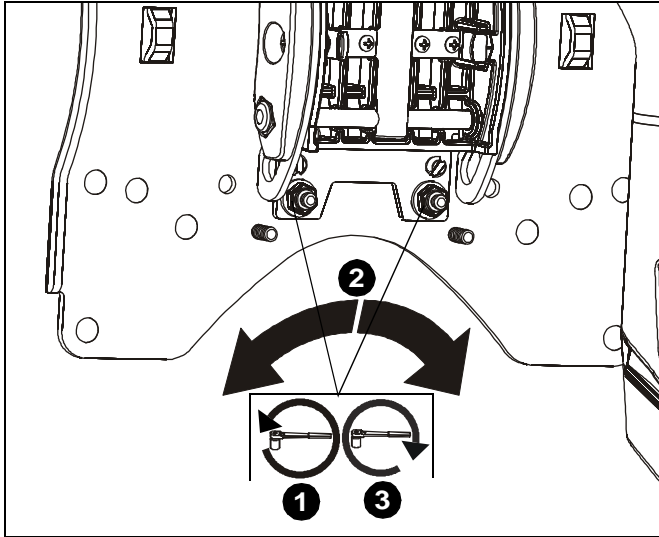


Figure 17

Tilt Friction Adjustment

1. Adjust tilt friction adjustment screws to increase or decrease tilt friction. (See Figure 18)

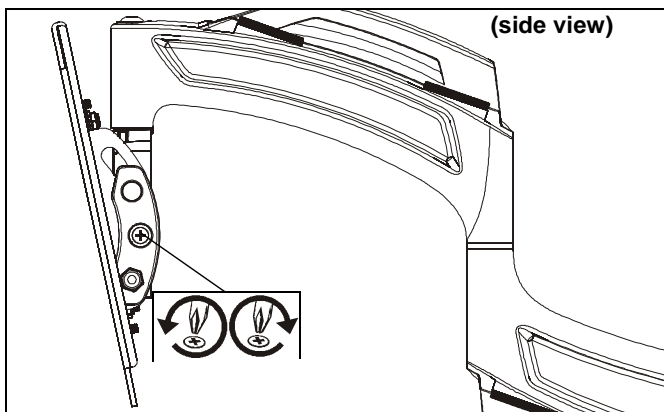


Figure 18

Arm Tension Adjustment

1. Use 3/16" hex key (T) to adjust arm tension at any of the three tension adjustment points. (See Figure 19) and (See Figure 20)

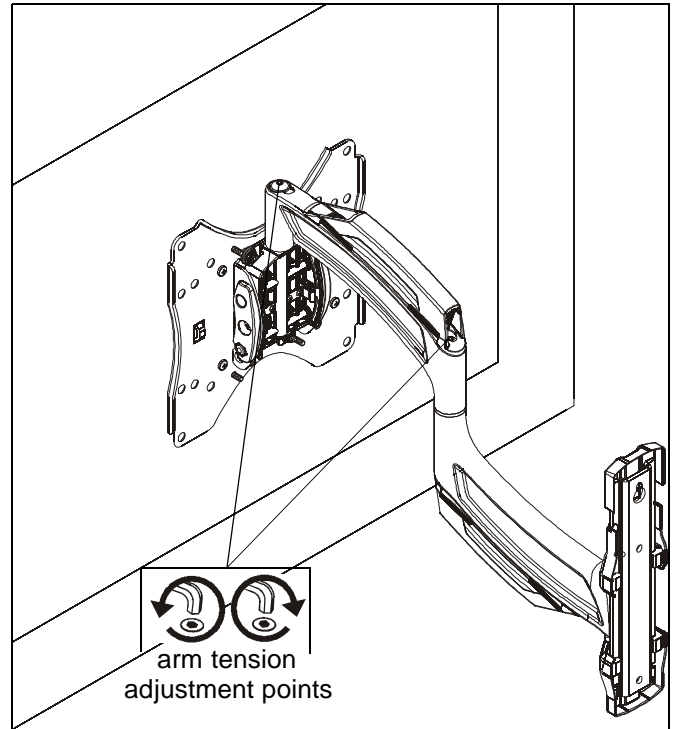


Figure 19

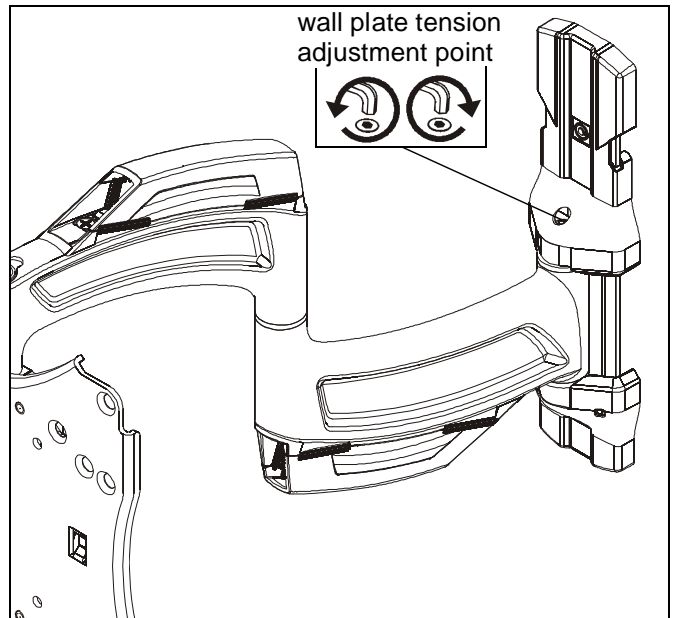


Figure 20



205 Westwood Ave, Long Branch, NJ 07740

Phone: 866-94 BOARDS (26273) / (732)-222-1511

Fax: (732)-222-7088 | E-mail: sales@touchboards.com



Our Mounts. **Your Vision.**

Chief Manufacturing, a products division
of Milestone AV Technologies

8832-002074 REV 04

©2012 Milestone AV Technologies, a
Duchossois Group Company
www.chiefmfg.com

04/12

USA/International	A 6436 City West Parkway, Eden Prairie, MN 55344 P 800.582.6480 / 952.225.6000 F 877.894.6918 / 952.894.6918
Europe	A Franklinstraat 14, 6003 DK Weert, Netherlands P +31 (0) 495 580 852 F +31 (0) 495 580 845
Asia Pacific	A Office No. 1 on 12/F, Shatin Galleria 18-24 Shan Mei Street Fotan, Shatin, Hong Kong P 852 2145 4099 F 852 2145 4477

