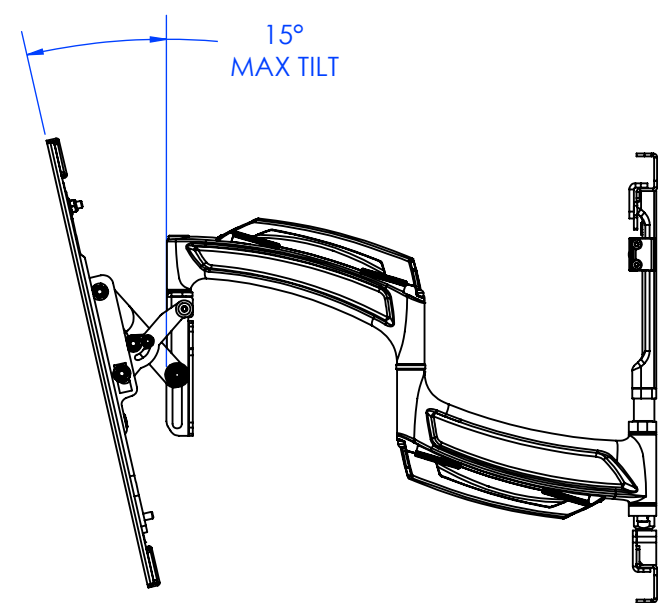
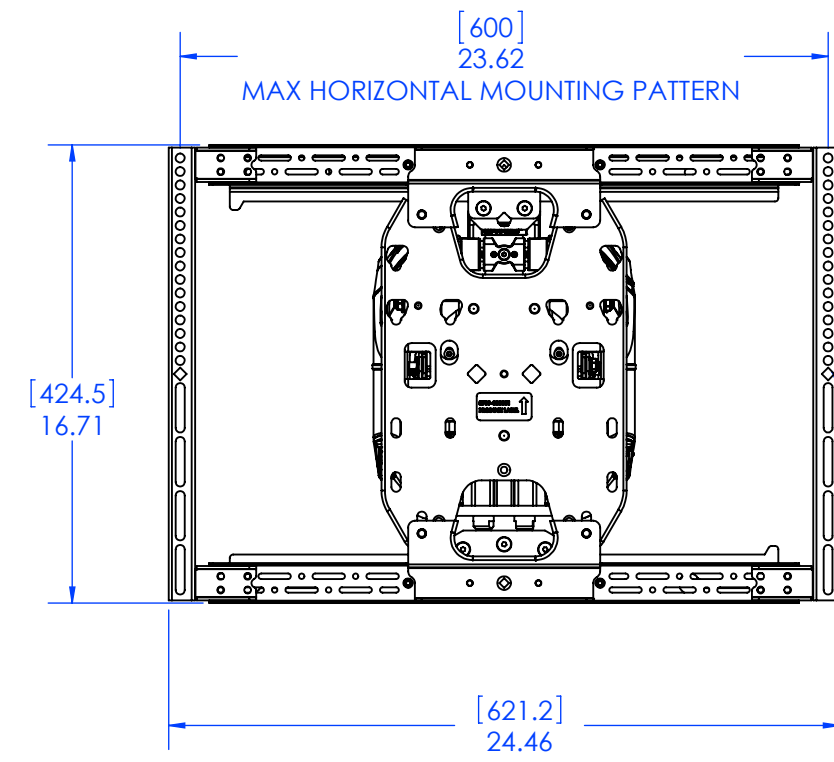
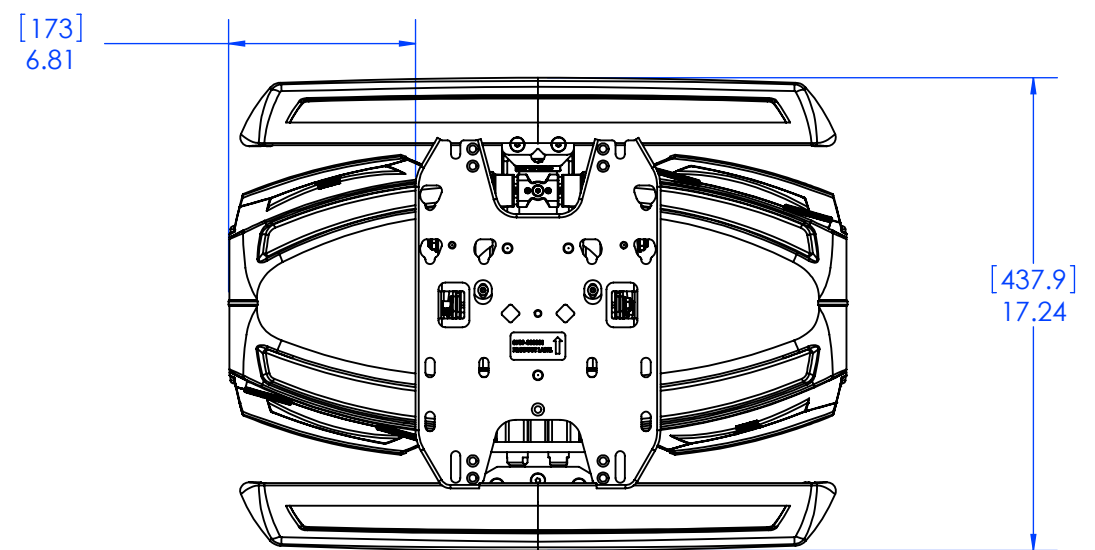
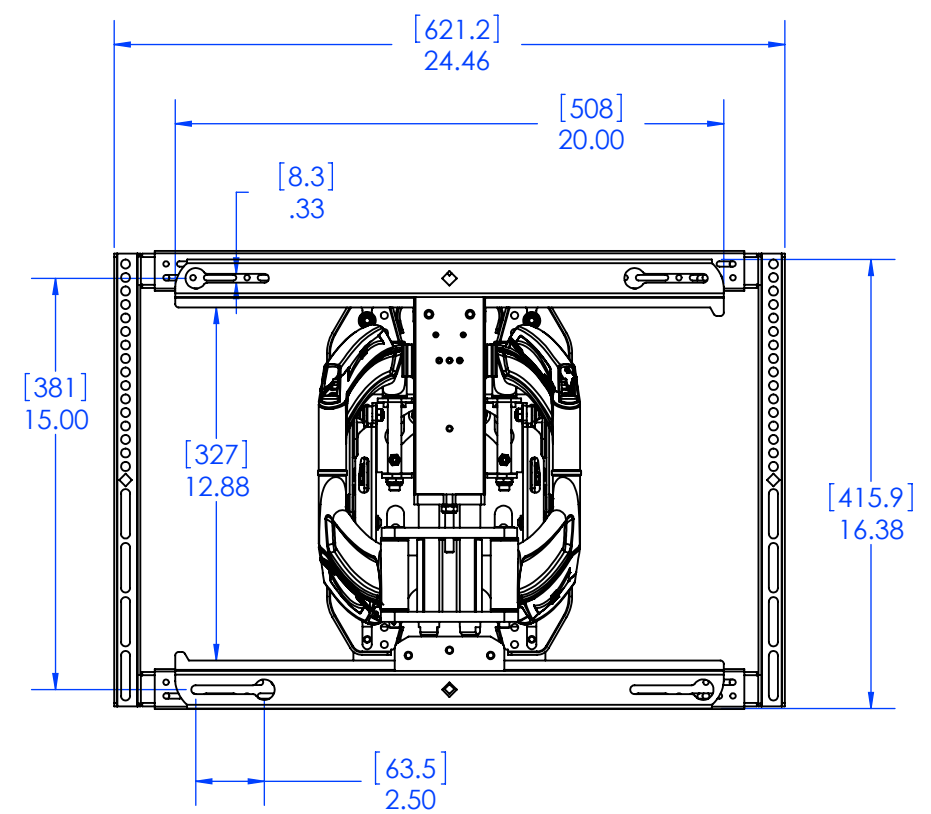


[45.7]
1.8
DEPTH
[48.2]
1.9
WITH INTERFACE



ALIGN CENTER DIAMOND
ON CENTER OF SCREEN

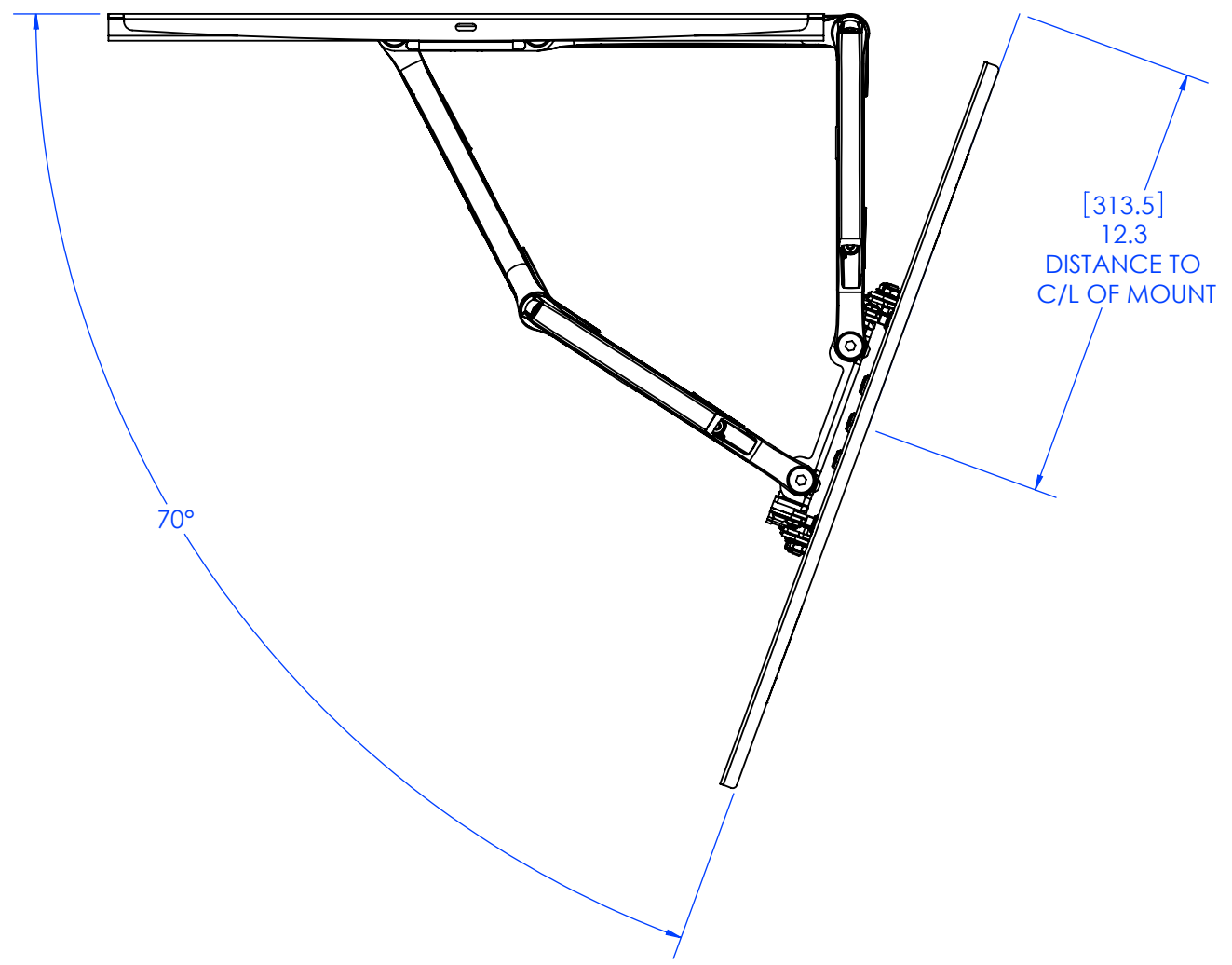
[400]
15.75
MAX VERTICAL MOUNTING PATTERN



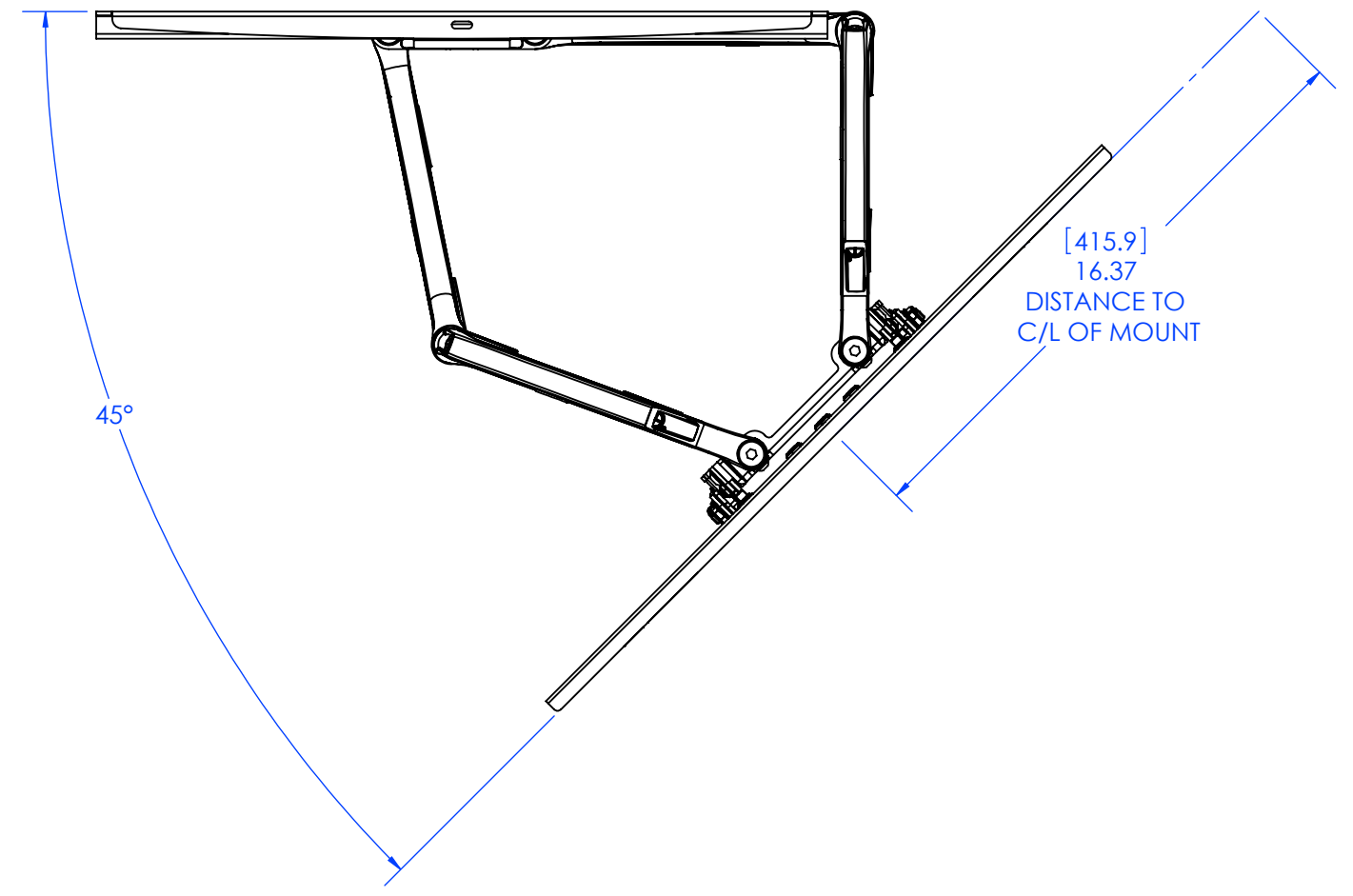
THE INFORMATION AND DESIGNS CONTAINED IN THIS DRAWING ARE CONFIDENTIAL AND THE PROPRIETARY PROPERTY OF MILESTONE AV TECHNOLOGIES NEITHER THIS DESIGN NOR ANY INFORMATION CONTAINED IN THIS DRAWING MAY BE REPRODUCED OR DISCLOSED TO OTHERS WITHOUT THE EXPRESS WRITTEN CONSENT OF MILESTONE AV TECHNOLOGIES.

CAD GENERATED DRAWING, DO NOT MANUALLY UPDATE.			CHIEF	6436 CITY WEST PKWY EDEN PRAIRIE MN, 55344 PHONE: 866-977-3901 FAX: 877-894-6918	
DRAWN BY	MW	4/11/2012		DESCRIPTION	TS318TU
ENG APPROVAL			MODEL NO.		
MFG APPROVAL			SCALE	SIZE	DWG. NO.
QA APPROVAL			SHEET 1 OF 2	1:7	B TECH-000035
					REV. 00

MAXIMUM ANGLE



**MAXIMUM CLEARANCE
AT 45°**



205 Westwood Ave, Long Branch, NJ 07740
 Phone: 866-94 BOARDS (26273) / (732)-222-1511
 Fax: (732)-222-7088 | E-mail: sales@touchboards.com

THE INFORMATION AND DESIGNS CONTAINED IN THIS DRAWING ARE CONFIDENTIAL AND THE PROPRIETARY PROPERTY OF MILESTONE AV TECHNOLOGIES NEITHER THIS DESIGN NOR ANY INFORMATION CONTAINED IN THIS DRAWING MAY BE REPRODUCED OR DISCLOSED TO OTHERS WITHOUT THE EXPRESS WRITTEN CONSENT OF MILESTONE AV TECHNOLOGIES.

CAD GENERATED DRAWING, DO NOT MANUALLY UPDATE.			6436 CITY WEST PKWY EDEN PRAIRIE MN, 55344 PHONE: 866-977-3901 FAX: 877-894-6918		
DRAWN BY	MW	4/11/2012			
ENG APPROVAL			DESCRIPTION		
MFG APPROVAL			TS318TU		
QA APPROVAL			MODEL NO.		
SHEET 2 OF 2		SCALE	SIZE	DWG. NO.	REV.
		1:5	B	TECH-000035	00