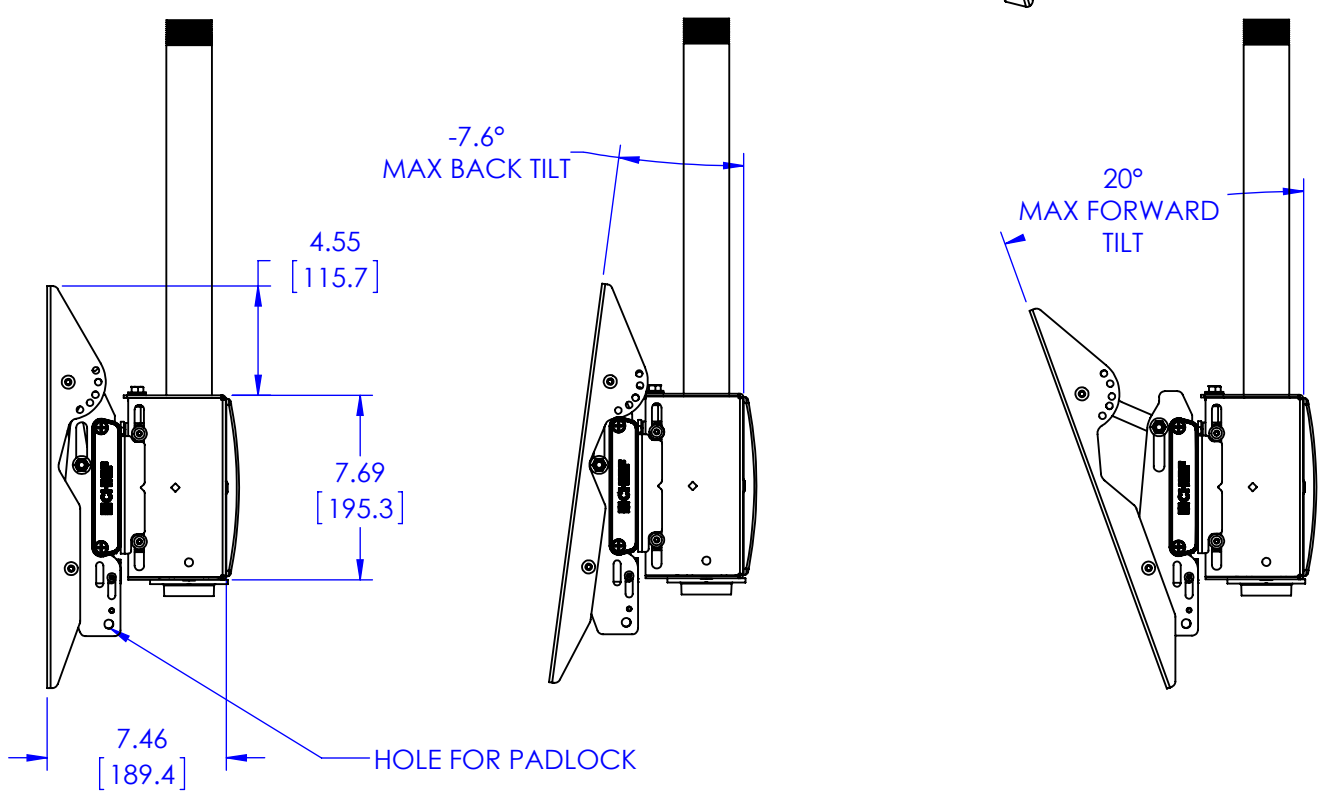
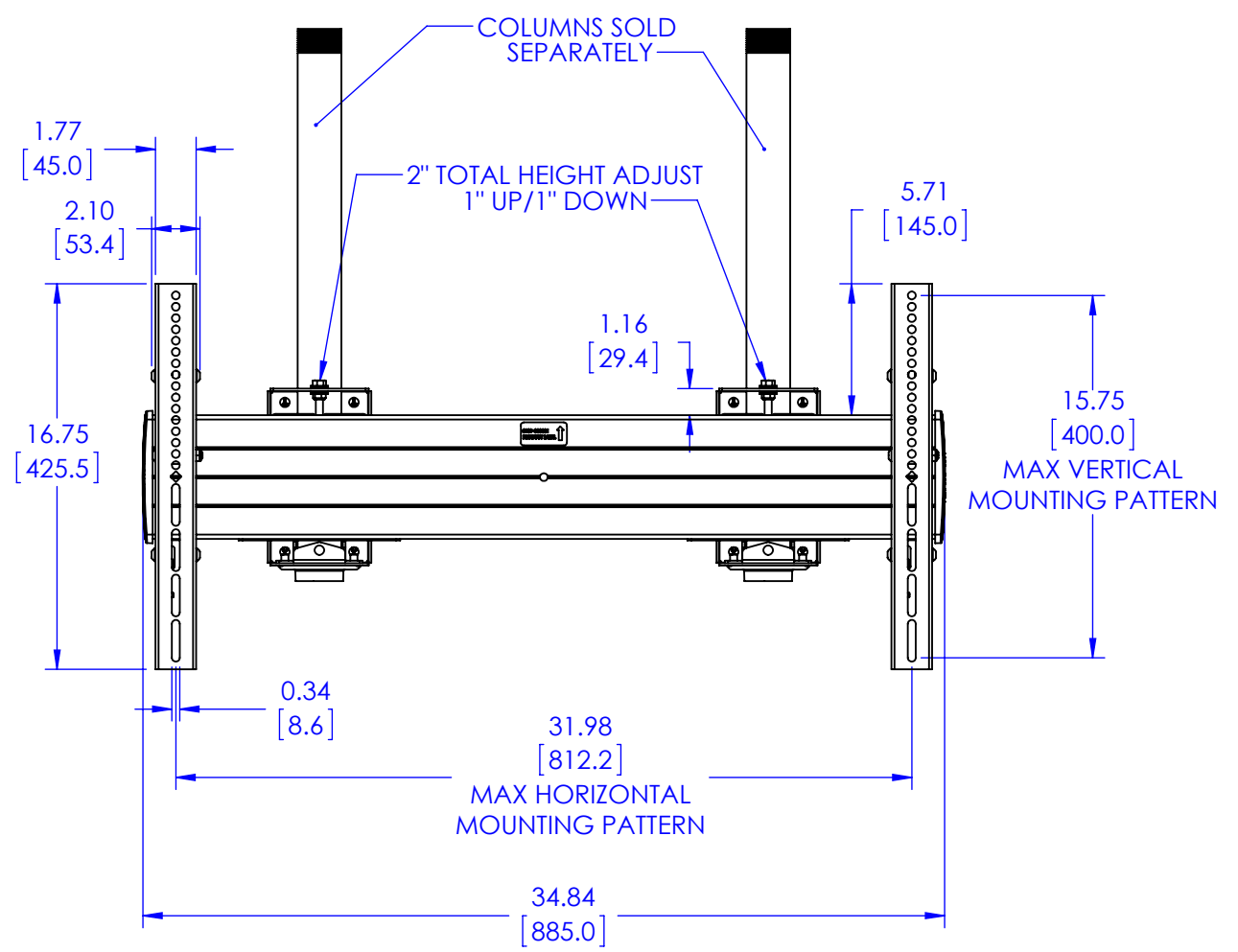
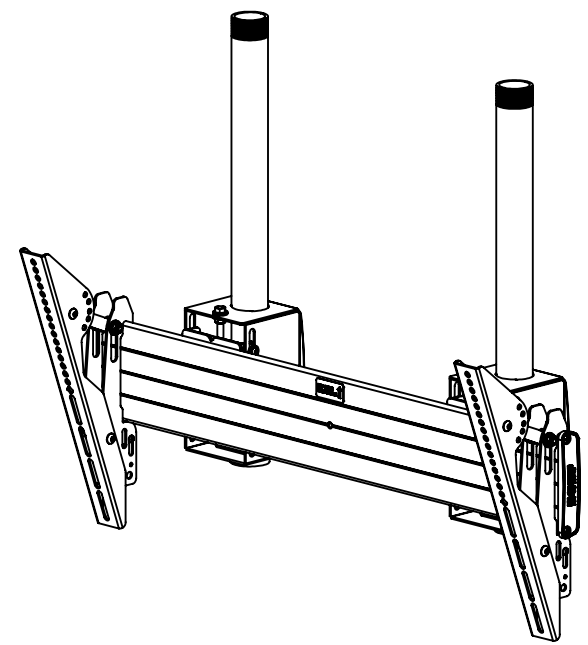
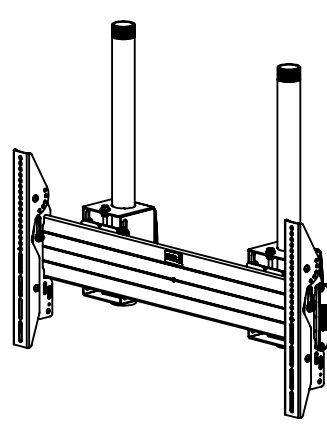
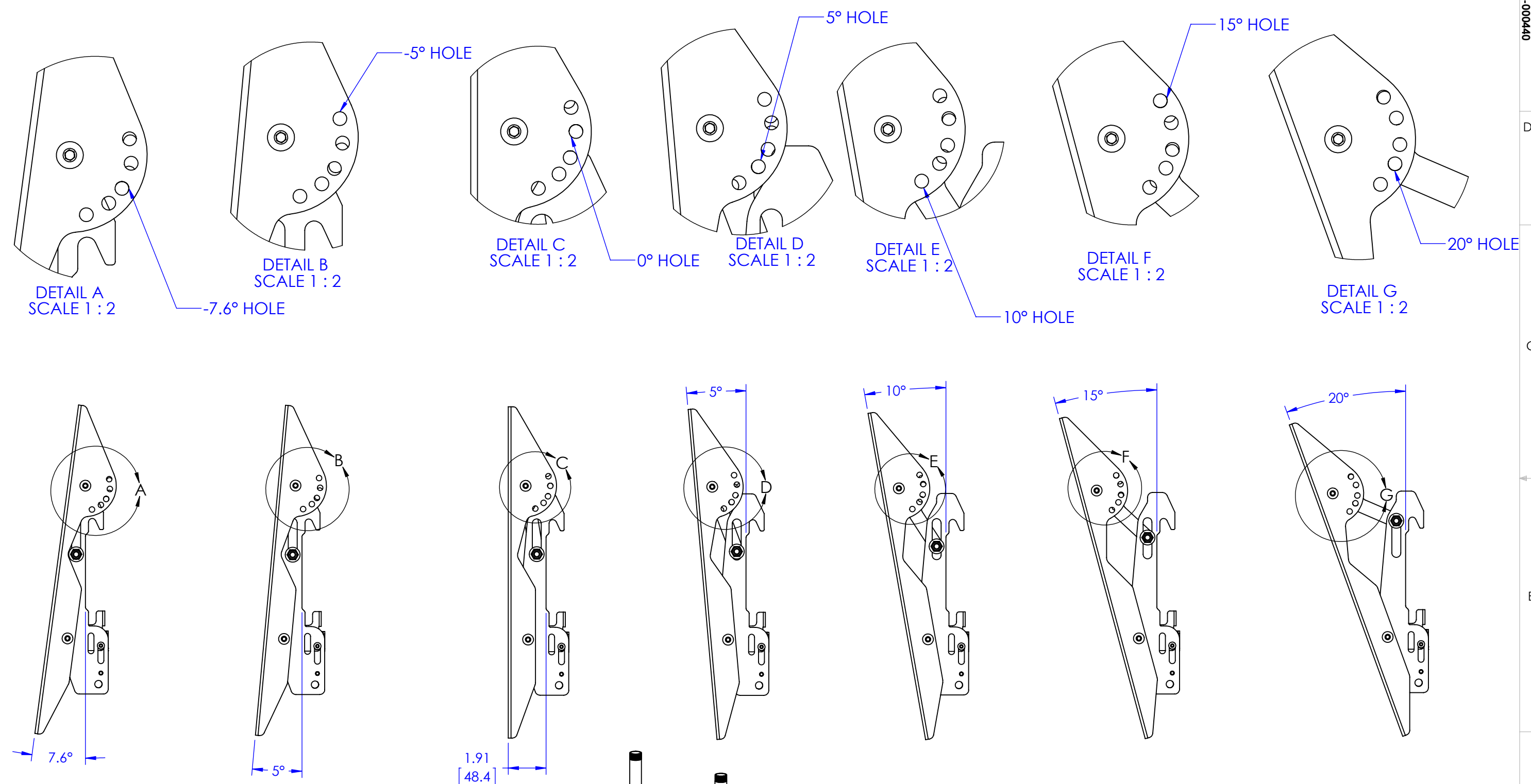


TILT LOCKOUTS AT
 -7.6°
 -5°
 0°
 5°
 10°
 15°
 20°



THE INFORMATION AND DESIGNS CONTAINED IN THIS DRAWING ARE CONFIDENTIAL AND THE PROPRIETARY PROPERTY OF MILESTONE AV TECHNOLOGIES NEITHER THIS DESIGN NOR ANY INFORMATION CONTAINED IN THIS DRAWING MAY BE REPRODUCED OR DISCLOSED TO OTHERS WITHOUT THE EXPRESS WRITTEN CONSENT OF MILESTONE AV TECHNOLOGIES.

CAD GENERATED DRAWING, DO NOT MANUALLY UPDATE.			6436 CITY WEST PKWY EDEN PRAIRIE MN, 55344 PHONE: 866-977-3901 FAX: 877-894-6918		
DRAWN BY	JAB	8/1/2013			
ENG APPROVAL			DESCRIPTION EXTRA LARGE, DUAL COLUMN, CEILING MOUNT		
MFG APPROVAL					
QA APPROVAL			MODEL NO. XCM7000		
SHEET 1 OF 2		SCALE 1:8	SIZE B	DWG. NO. TECH-000440	REV. 00



THE INFORMATION AND DESIGNS CONTAINED IN THIS DRAWING ARE CONFIDENTIAL AND THE PROPRIETARY PROPERTY OF MILESTONE AV TECHNOLOGIES NEITHER THIS DESIGN NOR ANY INFORMATION CONTAINED IN THIS DRAWING MAY BE REPRODUCED OR DISCLOSED TO OTHERS WITHOUT THE EXPRESS WRITTEN CONSENT OF MILESTONE AV TECHNOLOGIES.

CAD GENERATED DRAWING, DO NOT MANUALLY UPDATE.				6436 CITY WEST PKWY EDEN PRAIRIE MN, 55344 PHONE: 866-977-3901 FAX: 877-894-6918	
DRAWN BY	JAB	8/1/2013		DESCRIPTION EXTRA LARGE, DUAL COLUMN, CEILING MOUNT	
ENG APPROVAL			MODEL NO. XCM7000		
MFG APPROVAL			SIZE DWG. NO. B TECH-000440		
QA APPROVAL			REV. 00		
SHEET 2 OF 2			SCALE 1:8		