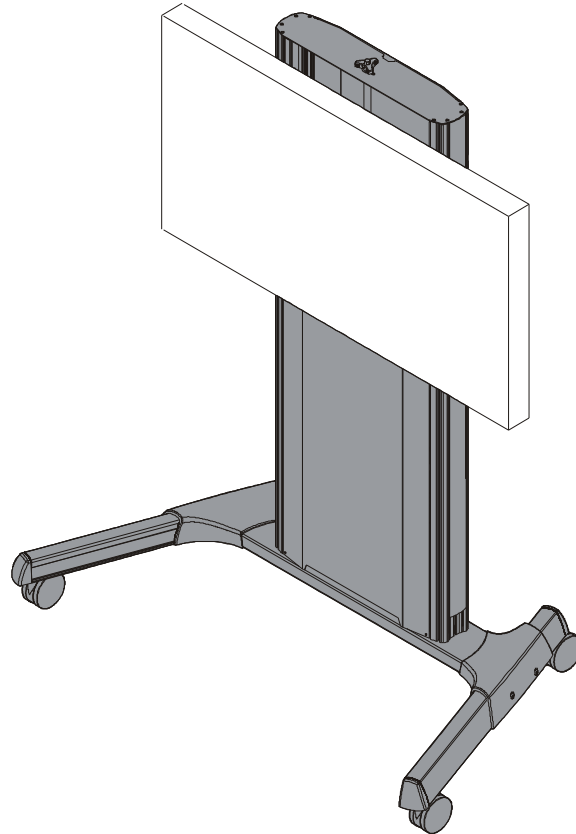

INSTALLATION INSTRUCTIONS



Extra Large Height Adjustable Video Cart

Touchboards

205 Westwood Ave, Long Branch, NJ 07740
Phone: 866-94 BOARDS (26273) / (732)-222-1511
Fax: (732)-222-7088 | E-mail: sales@touchboards.com

DISCLAIMER

Milestone AV Technologies and its affiliated corporations and subsidiaries (collectively "Milestone"), intend to make this manual accurate and complete. However, Milestone makes no claim that the information contained herein covers all details, conditions or variations, nor does it provide for every possible contingency in connection with the installation or use of this product. The information contained in this document is subject to change without notice or obligation of any kind. Milestone makes no representation of warranty, expressed or implied, regarding the information contained herein. Milestone assumes no responsibility for accuracy, completeness or sufficiency of the information contained in this document.

Chief® is a registered trademark of Milestone AV Technologies. All rights reserved.

DEFINITIONS

MOUNTING SYSTEM: A MOUNTING SYSTEM is the primary Chief product to which an accessory and/or component is attached.

ACCESSORY: AN ACCESSORY is the secondary Chief product which is attached to a primary Chief product, and may have a component attached or setting on it.

COMPONENT: A COMPONENT is an audiovisual item designed to be attached or resting on an accessory or mounting system such as a video camera, CPU, screen, display, projector, etc.



WARNING: A WARNING alerts you to the possibility of serious injury or death if you do not follow the instructions.



CAUTION: A CAUTION alerts you to the possibility of damage or destruction of equipment if you do not follow the corresponding instructions.



IMPORTANT SAFETY INSTRUCTIONS



WARNING: Failure to read, thoroughly understand, and follow all instructions can result in serious personal injury, damage to equipment, or voiding of factory warranty! It is the installer's responsibility to make sure all mounting systems/accessories are properly assembled and installed using the instructions provided.



WARNING: Failure to provide adequate structural strength for this mounting system can result in serious personal injury or damage to equipment! It is the installer's responsibility to make sure the structure to which this mounting system is attached can support five times the combined weight of all equipment. Reinforce the structure as required before installing the mounting system.



WARNING: Use this mounting system only for its intended use as described in these instructions. Do not use attachments not recommended by the manufacturer.



WARNING: Never operate this mounting system if it is damaged. Return the mounting system to a service center for examination and repair.



WARNING: Do not use this product outdoors.



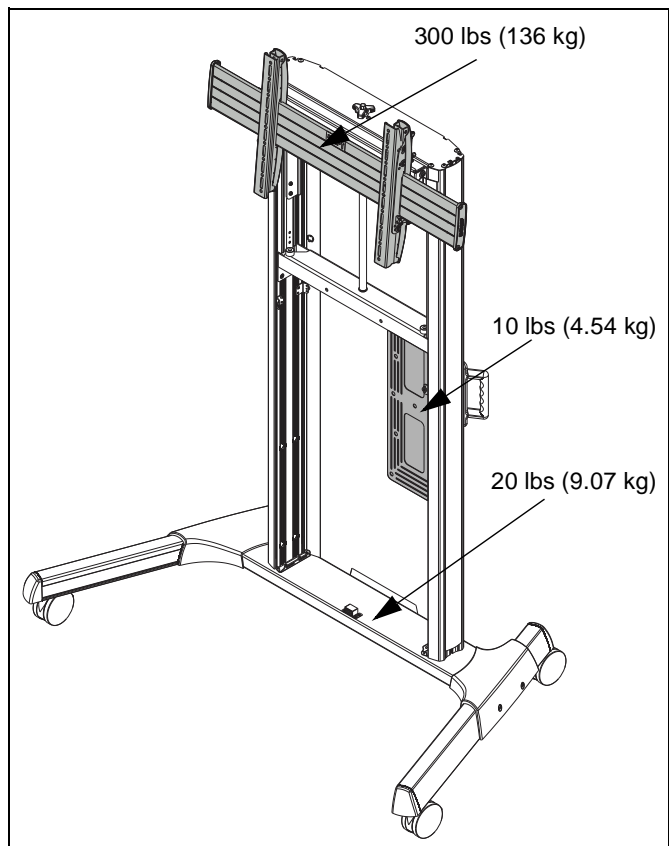
WARNING: RISK OF INJURY TO PERSONS! Do not place video equipment such as televisions or computer monitors on cart legs.



WARNING: Exceeding the weight capacity can result in serious personal injury or damage to equipment! It is the installer's responsibility to make sure the combined weight of all accessories and components attached to the XPA1U head assembly up to (and including) the display does not exceed 300 lbs (136 kg). Use with heavier televisions may result in instability causing tip over resulting in death or serious injury. See Figure below for reference.



WARNING: Exceeding the weight capacity can result in serious personal injury or damage to equipment! It is the installer's responsibility to make sure the combined weight of all accessories and components installed to the component bracket (C) does not exceed 10 lbs (4.54 kg). The combined weight of all accessories and components installed to the lower bracket (CPU's, etc.) cannot exceed 20 lbs (9.07 kg). Exceeding the weight capacity may result in damage to the equipment or components! See Figure below for reference.





WARNING: RISK OF SERIOUS INJURY OR DEATH!
 Placing a remote control or toy on the cart may encourage a child to climb onto the cart causing the cart to tip over onto the child. DO NOT place remote controls or toys on the cart!



WARNING: RISK OF SERIOUS INJURY OR DEATH!
 Relocating audio and/or video equipment to the cart may result in the cart collapsing or overturning onto a child. DO NOT relocate audio and/or video equipment to the cart!

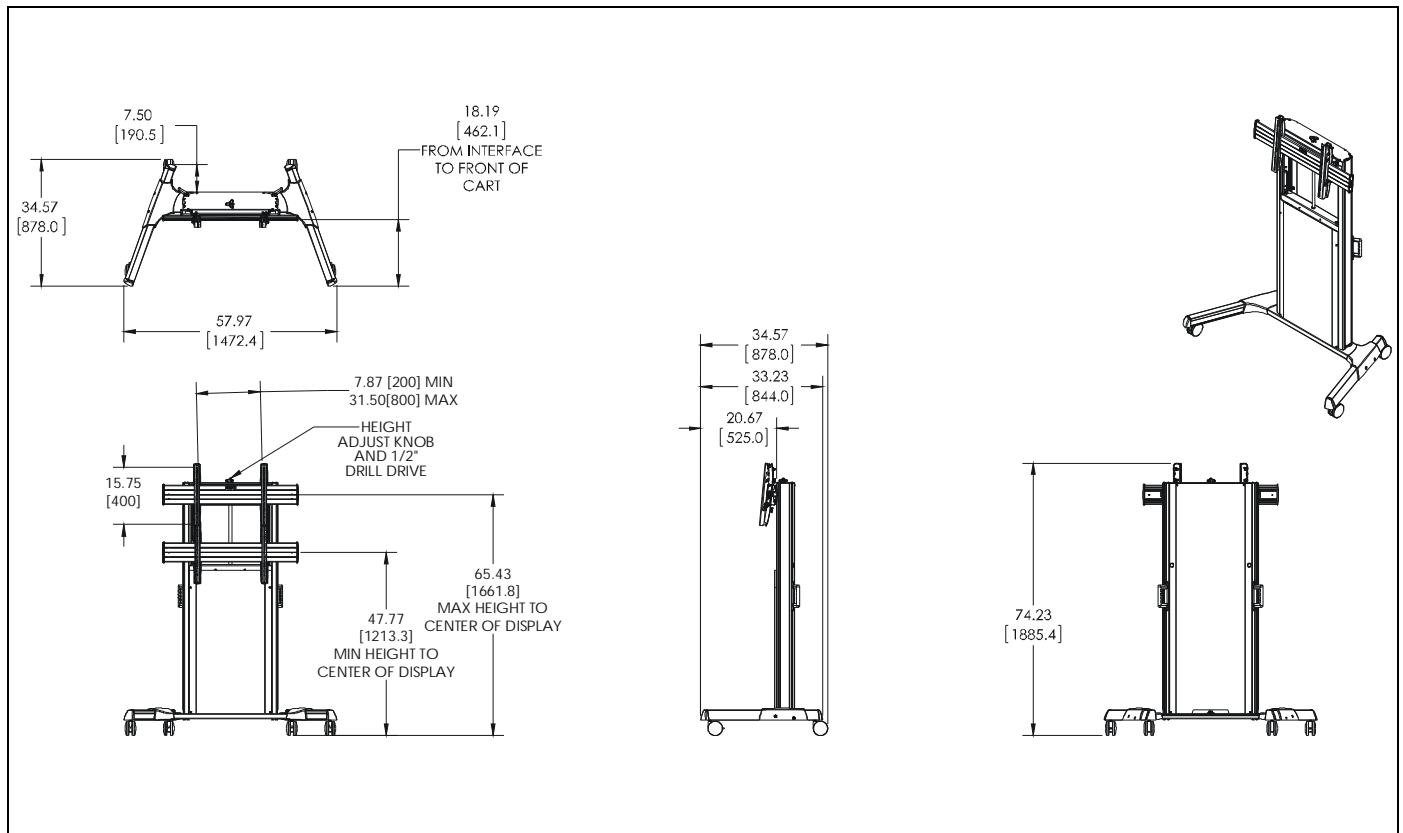
NOTE: The XPA1U cart has no user serviceable parts.

NOTE: The XPA1U cart can support screen sizes up to a maximum of 100" wide.

NOTE: The XPA1U cart may be used with the UL Listed FCA624 Dual Monitor Extension Accessory.

--SAVE THESE INSTRUCTIONS--

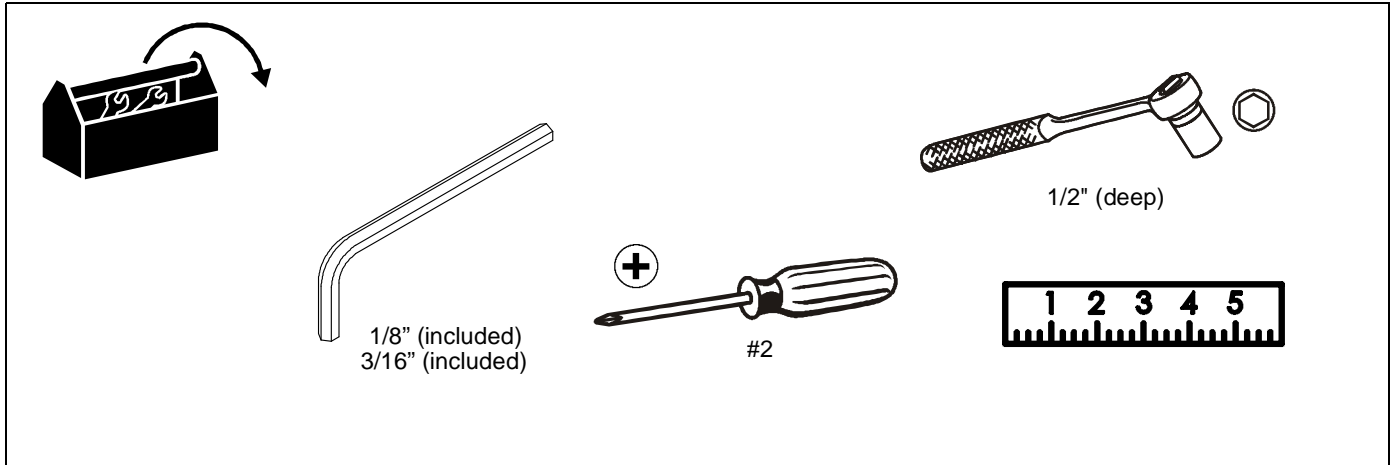
DIMENSIONS



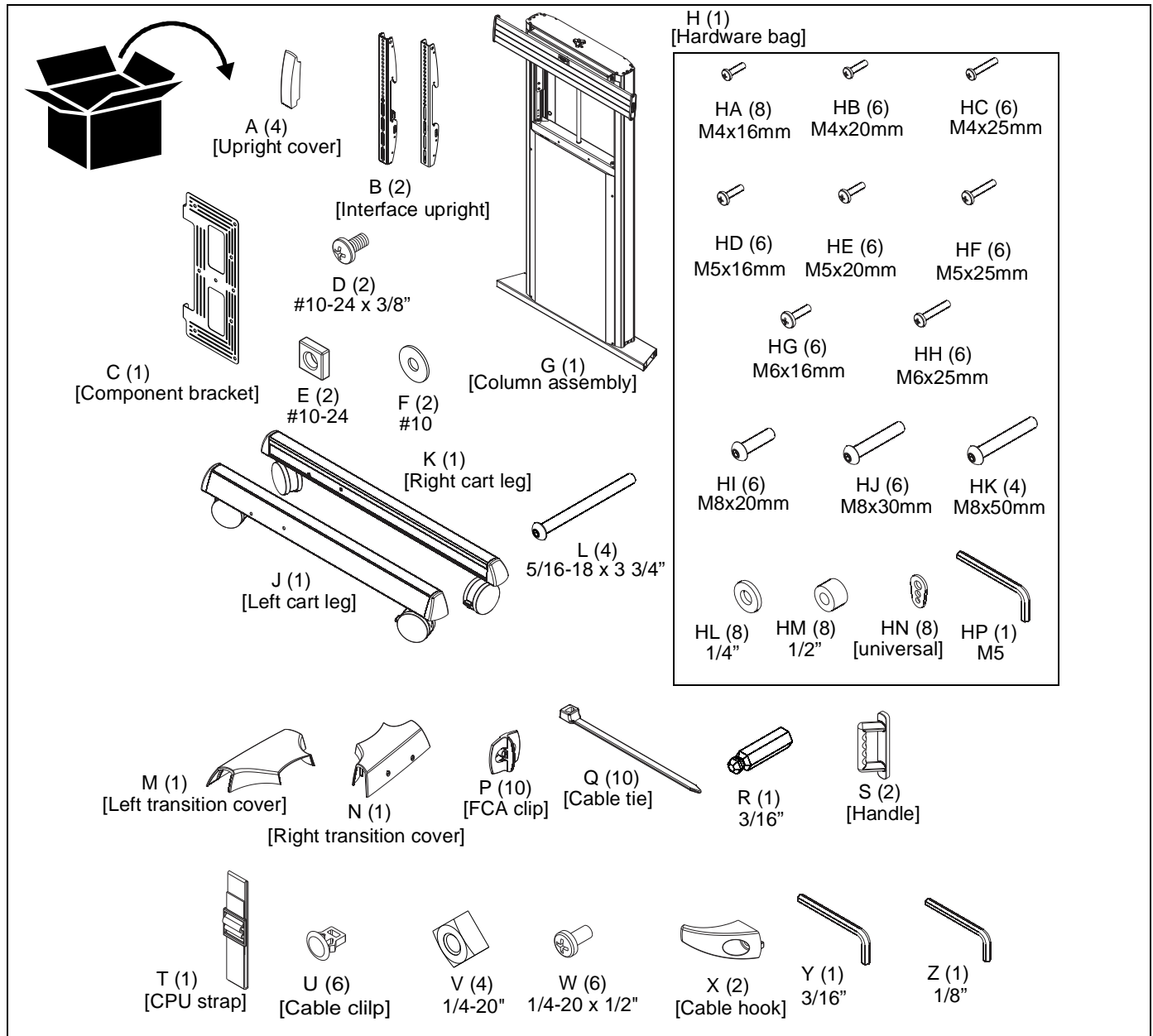
LEGEND

	Tighten Fastener Apretar elemento de fijación Befestigungsteil festziehen Apertar fixador Serrare il fissaggio Bevestiging vastdraaien Serrez les fixations		Pencil Mark Marcar con lápiz Stiftmarkierung Marcar com lápis Segno a matita Potloodmerkteken Marquage au crayon
	Loosen Fastener Aflojar elemento de fijación Befestigungsteil lösen Desapertar fixador Allentare il fissaggio Bevestiging losdraaien Desserrez les fixations		Drill Hole Perforar Bohrloch Fazer furo Praticare un foro Gat boren Percez un trou
	Phillips Screwdriver Destornillador Phillips Kreuzschlitzschraubendreher Chave de fendas Phillips Cacciavite a stella Kruiskopschroevendraaier Tournevis à pointe cruciforme		Adjust Ajustar Einstellen Ajustar Regolare Afstellen Ajuster
	Open-Ended Wrench Llave de boca Gabelschlüssel Chave de bocas Chiave a punte aperte Steeksleutel Clé à fourche		Remove Quitar Entfernen Remover Rimuovere Verwijderen Retirez
	By Hand A mano Von Hand Com a mão A mano Met de hand À la main		Optional Opcional Optional Opcional Opzionale Optie En option
	Hex-Head Wrench Llave de cabeza hexagonal Sechskantschlüssel Chave de cabeça sextavada Chiave esagonale Zeskantsleutel Clé à tête hexagonale		Security Wrench Llave de seguridad Sicherheitsschlüssel Chave de segurança Chiave di sicurezza Veiligheidsleutel Clé de sécurité

TOOLS REQUIRED FOR INSTALLATION



PARTS



Assembly And Installation



CAUTION: Attachment holes may be damaged if a power drill is used to insert button head cap screws. Screws should first be inserted and turned **BY HAND** with the hex key or with a hand-held screwdriver **BEFORE** using the hex head drill bit and power drill to complete the attachment.

Cart Assembly

1. Carefully set column assembly (G) on its left side. (See Figure 1)
2. Place right transition cover (N) on right cart leg (K), lining up the holes on the cover with the holes on the leg and column assembly base. (See Figure 1)
3. Use two 5/16-18 x 3 3/4" button head cap screws (L) to secure leg (K) and cover (N) to column assembly (D). (See Figure 1)

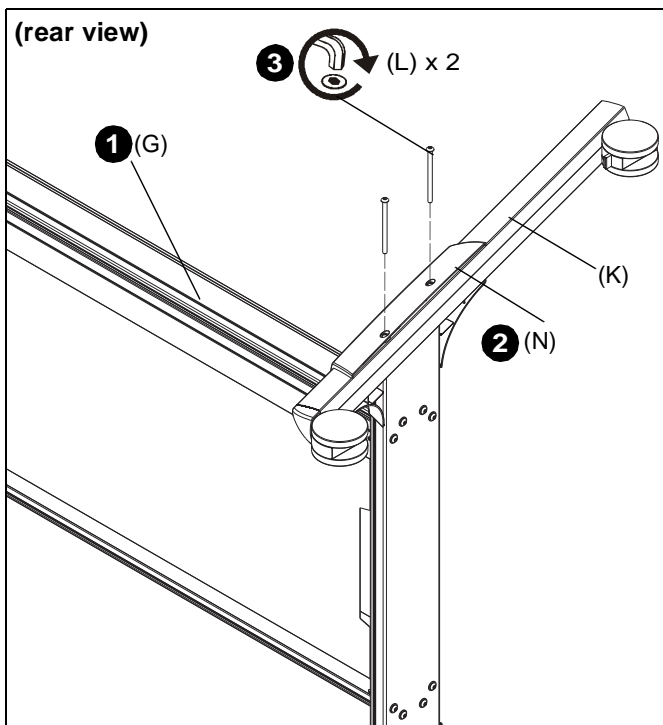


Figure 1

4. Turn column assembly (G) onto its right side. (See Figure 2)
5. Place left transition cover (M) on left cart leg (J), lining up the holes on the cover with the holes on the leg and column assembly base. (See Figure 2)
6. Use two 5/16-18 x 3 3/4" button head cap screws (L) to secure leg (J) and cover (M) to column assembly (G). (See Figure 2)

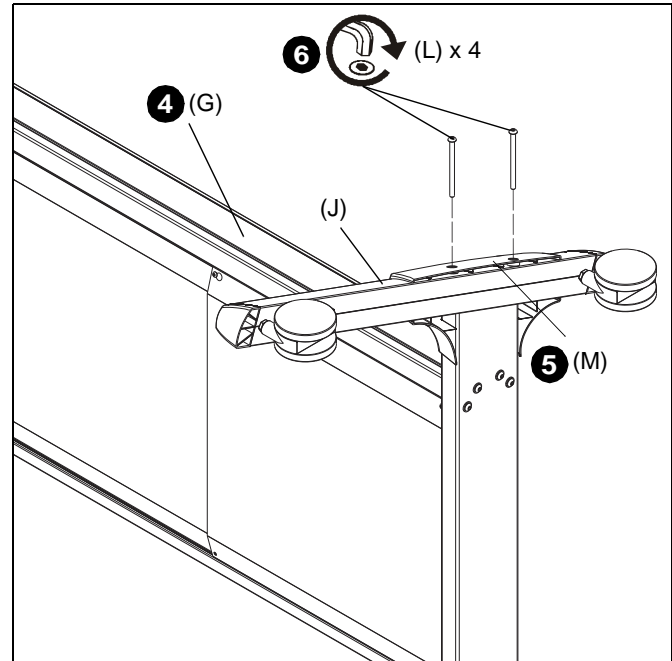


Figure 2

Display Installation



WARNING: Exceeding the weight capacity can result in serious personal injury or damage to equipment! It is the installer's responsibility to make sure the combined weight of all accessories and components attached to the XPA1U head assembly up to (and including) the display does not exceed 300 lbs (136 kg).

1. Lay display face down on protective surface.



CAUTION: Using screws of improper diameter may damage your display! Proper screws will easily thread into display mounting holes.

2. Select screw *diameter* by examining hardware (HA-HK) (4mm, 5mm, 6mm or 8mm) and comparing with mounting holes on display. (See Figure 3)
3. Select spacers: (See Figure 3)
 - If mounting holes are not recessed and both uprights (B) can lay flat against display, then no spacers are required.
 - If mounting holes are recessed, or if protrusions prevent uprights (B) from laying flat, then spacers (HL or HM) must be used.



CAUTION: Using screws of improper length may damage your display! Proper screws will have adequate thread engagement without contacting bottom of display mounting holes.

4. Select screw *length*: (See Figure 3)
 - Using your hand, insert **SHORTEST** length screw of selected diameter (HA, HD, HG or HI) through universal washer (HN), uprights (B), selected spacer (HL or HM), into display mounting hole. Do **NOT** thread screw into hole at this time.

NOTE: Universal washers (HN) are not needed if using M8 button head cap screws (HI, HJ or HK).

- Proper screw length requires base of screw head to protrude above flat washer a *distance equal to or greater than the screw diameter*. If screw length is inadequate, select longer screw. Select *shortest* screw which will protrude the required distance.
5. Place uprights (B) on display, ensuring: (See Figure 3)
 - Center of uprights (B) are as close to the center of the back of display as possible after being installed. Center of bracket is indicated by the diamond-shaped hole.
 6. Use selected screws and spacers to install two interface uprights (B) to back of display. (See Figure 3)

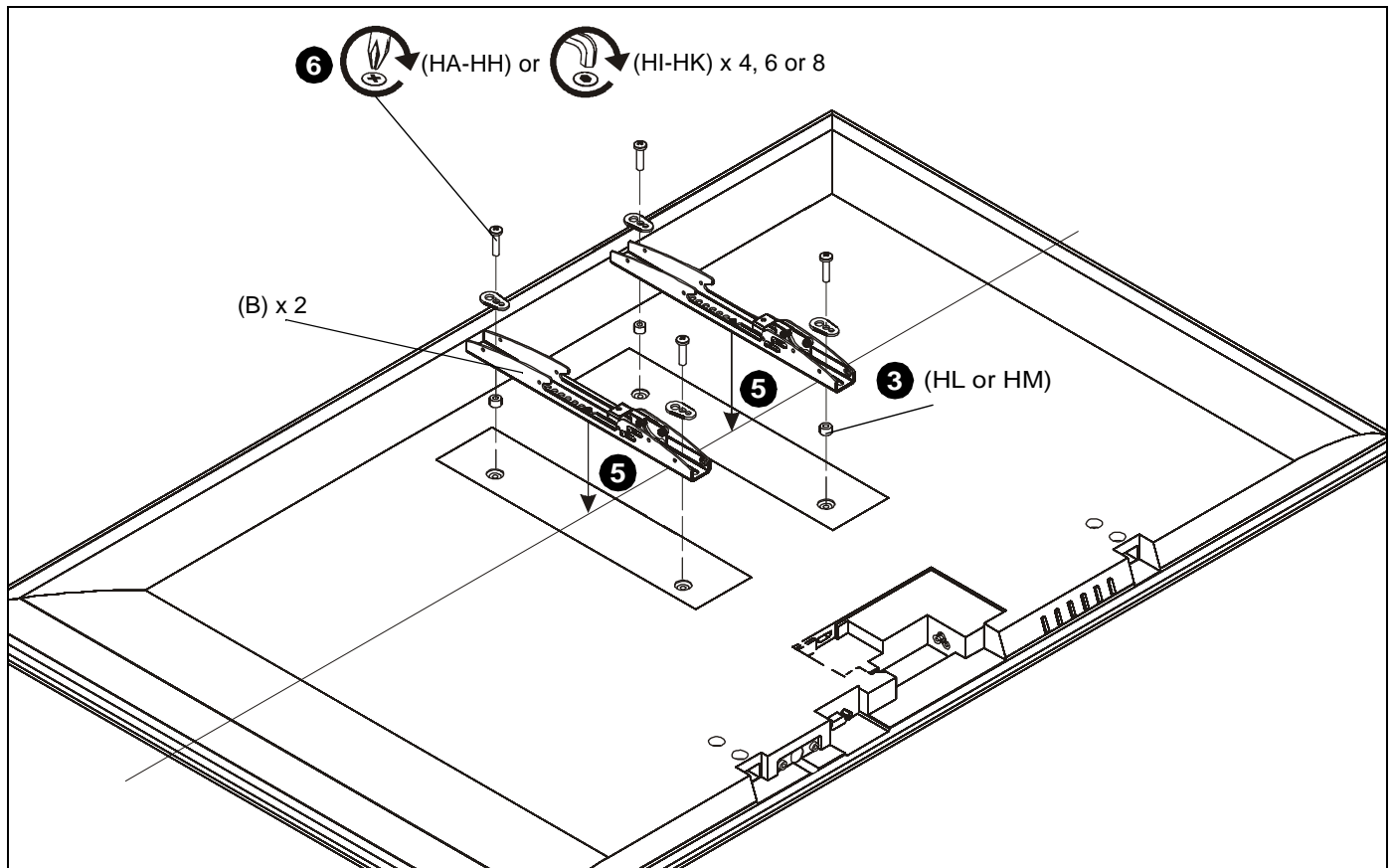


Figure 3

⚠ WARNING: Display may be very heavy! Ensure display may be safely lifted and maneuvered as required to install on cart. Failure to take adequate precautions can result in serious personal injury or damage to equipment!

7. Position latches on interface uprights so that they are in the "open" position. (See Figure 4)
8. Hang interface uprights (B) on head assembly. (See Figure 4)

IMPORTANT !: To ensure a stable mount, make sure stability knobs are tightened prior to installing display.

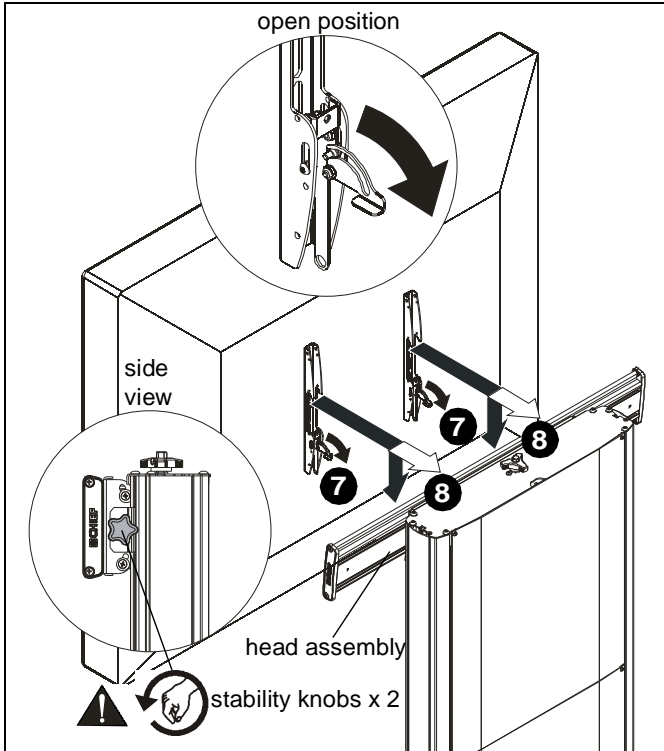


Figure 4

IMPORTANT !: In order to ensure an even mount, install uprights to be centered over column assembly. Do NOT install both uprights to the same side of column assembly! (See Figure 5)

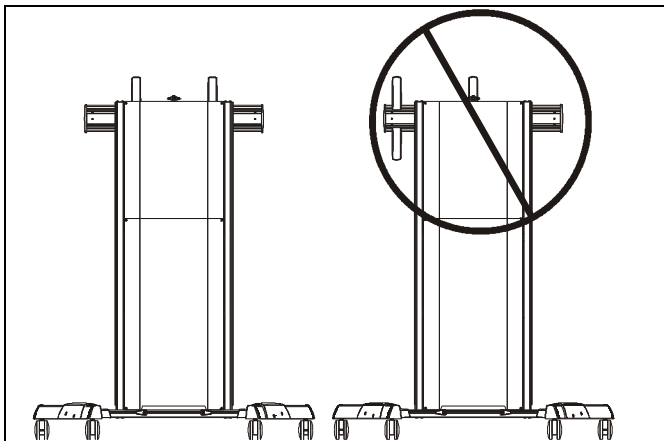


Figure 5

9. Move latches on interface uprights to the "closed" position to secure display to head assembly. (See Figure 6)

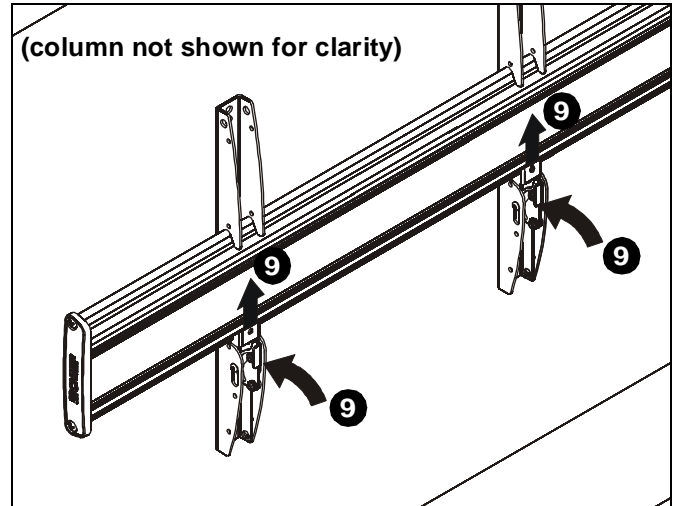


Figure 6

10. Snap four upright covers (A) onto uprights. (See Figure 7)

NOTE: Tabs on inside of covers (A) will snap directly into holes on uprights to ensure a secure connection.

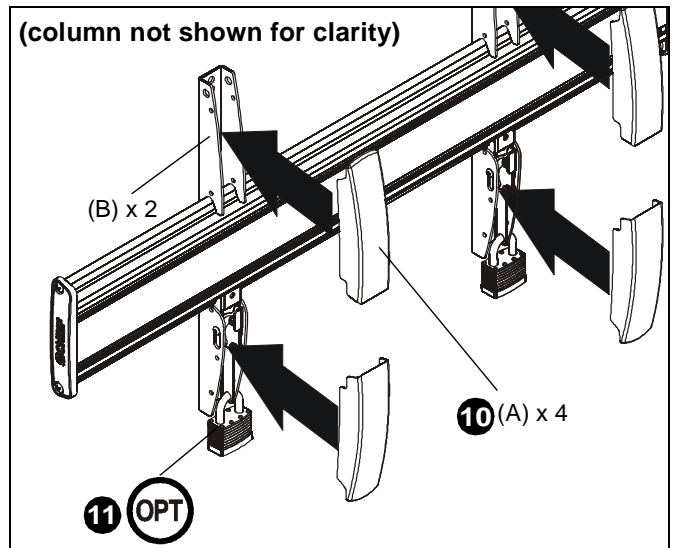


Figure 7

11. (Optional) Use padlocks (not provided) to secure uprights to head assembly. (See Figure 7)

Component Bracket Installation (Optional)

NOTE: Component bracket may be installed to either side of column.

NOTE: Lower cover must be removed to install component bracket. See Cover Removal section for details.

1. Loosely install two #10-24 x 3/8" Phillips head machine screws (D) through two #10 washers (F), holes in component bracket (C) and into two #10-24 square nuts (E). (See Figure 8)
2. Insert two #10-24 square nuts (E) into two openings on column channel. (See Figure 8)
3. Lift component bracket (C) to desired mounting position. (See Figure 8)
4. Tighten screws to a torque force of 10 ft-lbs. (See Figure 8)

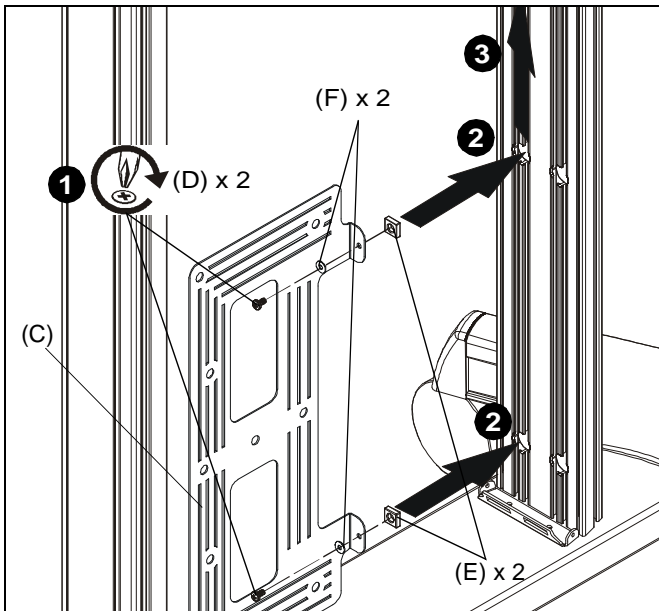


Figure 8



WARNING: Exceeding the weight capacity can result in serious personal injury or damage to equipment! It is the installer's responsibility to make sure the combined weight of all accessories and components installed to the component bracket (C) does not exceed 10 lbs (4.54 kg). Exceeding the weight capacity may result in damage to the equipment or components!

IMPORTANT ! : Do NOT attach component bracket too high on column or above height adjustment mechanism or it could interfere with the height adjustment mechanism. See Height Adjustment Section for details.

5. Install components to component bracket as desired using cable ties (Q), cable clips (U) or screws. (See Figure 9)

NOTE: Component bracket is designed to mount small audio/video components such as power strips, media players, etc.

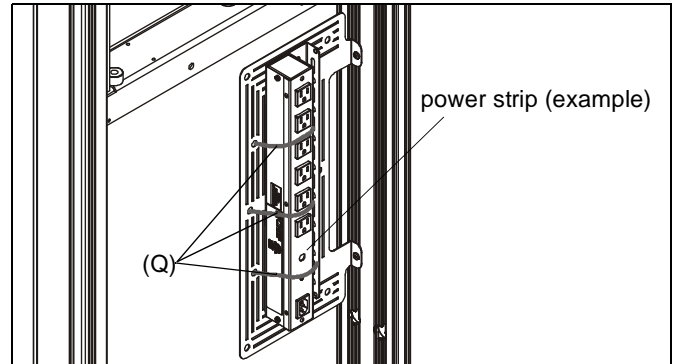


Figure 9

CPU Installation (Optional)

NOTE: Lower cover must be removed to install component bracket. See Cover Removal section for details.

1. Route CPU strap (T) through hole on lower bracket and around CPU to secure CPU to column base. (See Figure 10)



WARNING: Exceeding the weight capacity can result in serious personal injury or damage to equipment! It is the installer's responsibility to make sure the combined weight of all accessories and components installed to the lower bracket does not exceed 20 lbs (9.07 kg). Exceeding the weight capacity may result in damage to the equipment or components!

NOTE: CPU strap is designed for use with larger non-rack mountable CPU's or audio/video components.

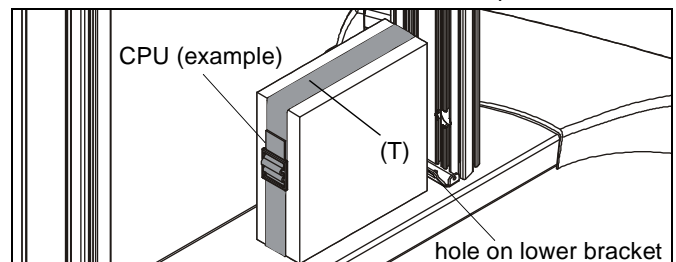


Figure 10

Handle Installation

1. Loosely install two 1/4-20 x 1/2" Phillips pan machine screws (W) through holes in each handle (S) and into 1/4-20 square nuts (V). (See Figure 11)
2. Slide each handle into slots back of cart. (See Figure 11)

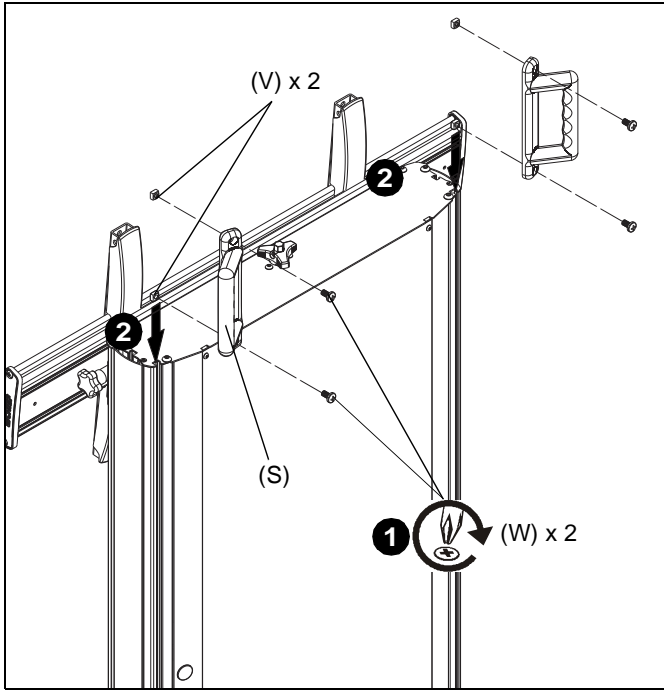


Figure 11

3. Adjust handles to desired height. (See Figure 12)
4. Tighten two screws on each handle to lock handles at desired positions. (See Figure 12)

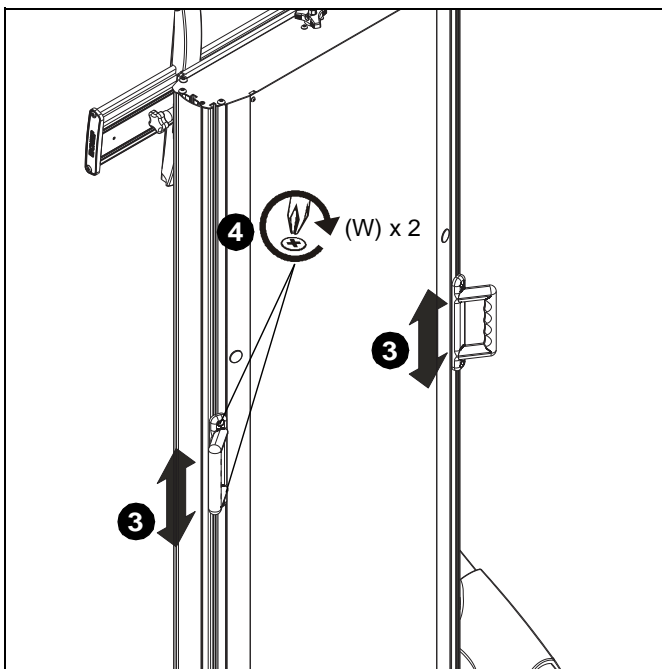


Figure 12

Cover Removal/Access/Re-install

NOTE: The front cover comes with four button head cap screws installed to provide additional security. But to have quick access to the interior of the cart, these screws do NOT need to be re-installed as the door can be closed using the magnets inside the door.

1. Remove four button head cap screws holding front cover to cart. (See Figure 13)
2. Pull front cover away from cart. (See Figure 13)

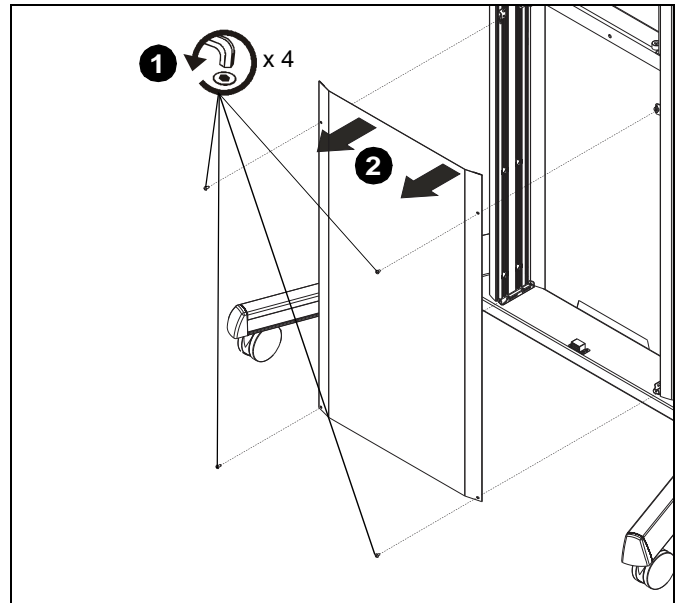


Figure 13

3. Install accessories and components as desired.
4. Install front cover back on cart using magnets. (See Figure 14)
5. (Optional) Re-install four button head cap screws if additional security is desired. (See Figure 14)

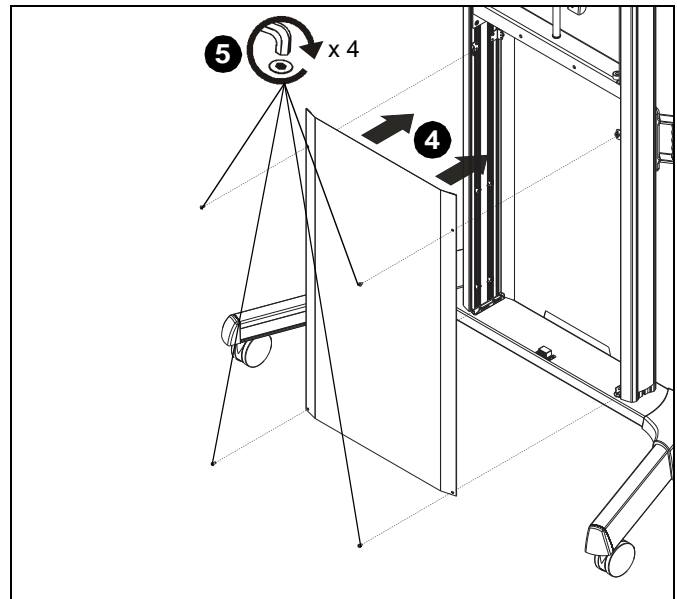


Figure 14

Cable Management

NOTE: The following cable management options may vary based on type of display being mounted and user preference.

1. Place FCA clip (P) into groove on back of Fusion mount with clip handle in a vertical position. (See Figure 15)
2. Rotate FCA clip (P) 90° in either direction until clip handle is in a horizontal position. (See Figure 15)
3. Repeat Steps 1-2 for all clips to be installed.

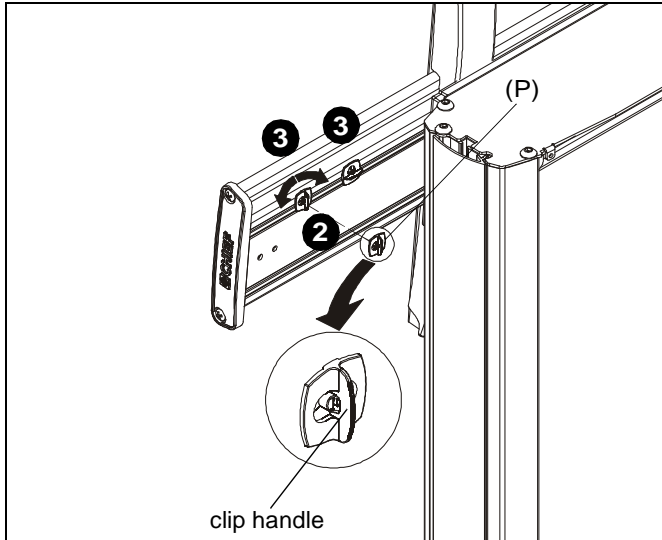


Figure 15

4. Route cables along FCA clips (P) to be used for cable management. (See Figure 16)
5. Use cable ties (Q) to secure cables to FCA clips. (See Figure 16)

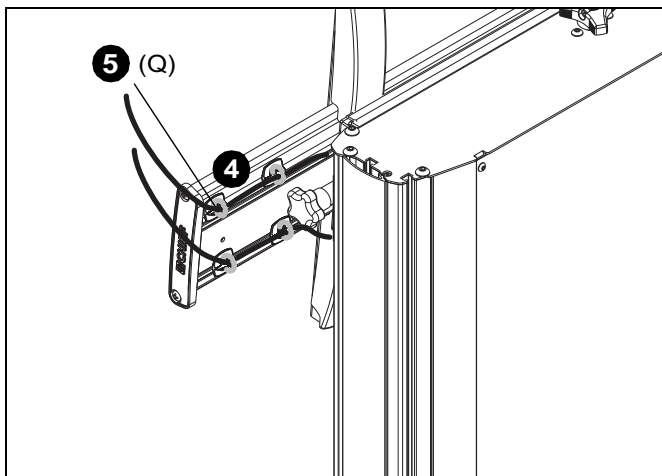


Figure 16

6. Route cables from display through inside of column assembly attaching at cable management attachment points and/or accessory bracket using cable ties (Q) or cable clips (U) as desired. (See Figure 17)

IMPORTANT ! : Route cables when display is at its highest point and make sure enough slack exists so that height may be adjusted without straining the cables!

7. Route cables out through the slot on the back of the cart. (See Figure 17)

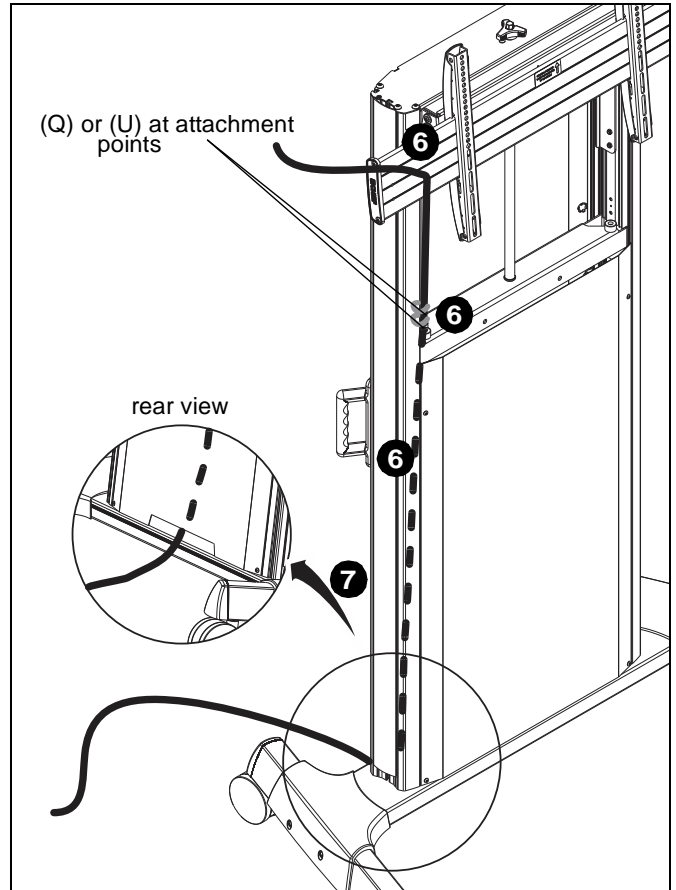


Figure 17

8. Use two 1/4-20 x 1/2" Phillips pan machine screws (W) to attach two cable hooks (X) to bottom of column assembly (G). (See Figure 18)

9. Wrap cables around cable hooks if desired.

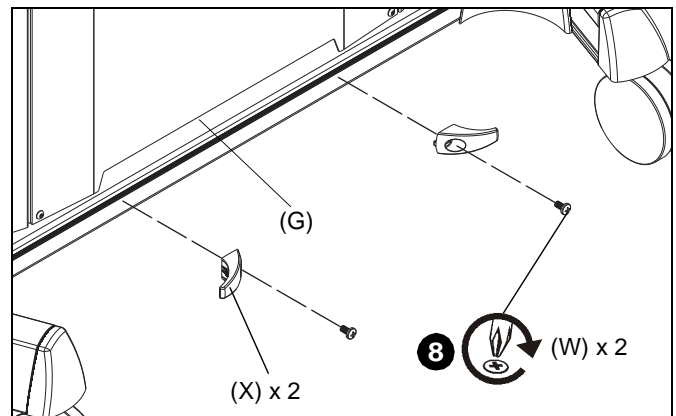


Figure 18

Adjustments

Height Adjustment

1. Loosen two stability knobs on either side of head assembly. (See Figure 19)
2. Turn height adjustment knob clockwise to raise display. (See Figure 19)
3. Turn height adjustment knob counterclockwise to lower display. (See Figure 19)



WARNING: Do not attempt to raise or lower the adjustment carriage beyond its upper or lower limit. High and low points are shown in Figures 19 and 20.

NOTE: A 1/2" socket wrench or drill may also be used to adjust height by turning bolt just above height adjustment knob.

4. Tighten two stability knobs on either side of head assembly. (See Figure 19)

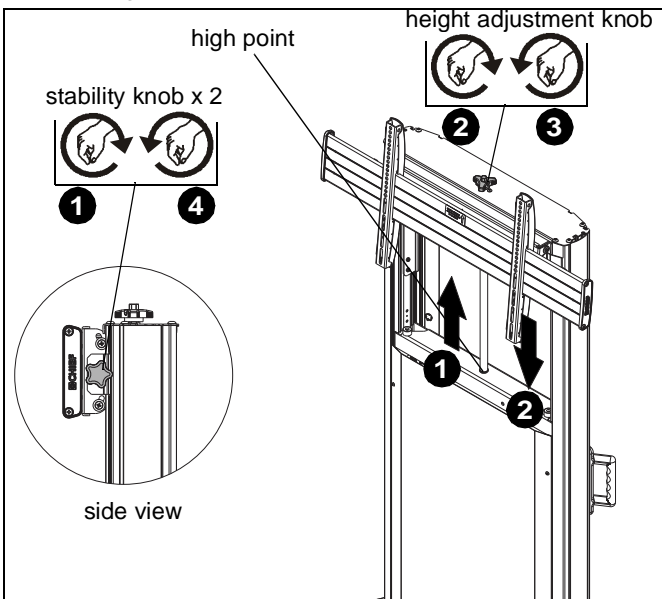


Figure 19

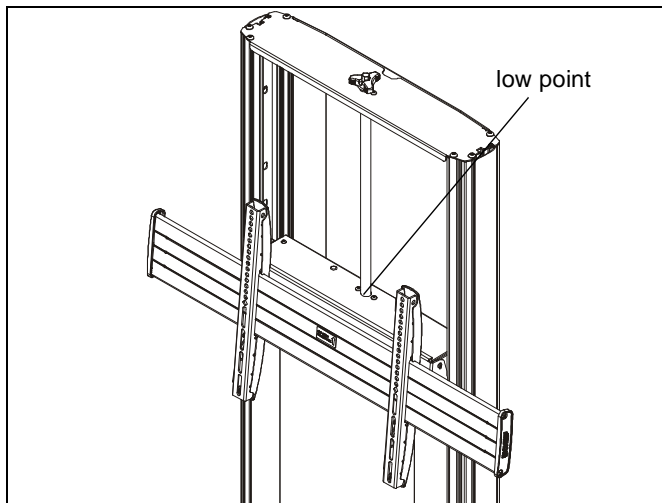


Figure 20

Pitch Adjustment



WARNING: Removing pitch adjustment screws when the display is installed will result in the display falling from the mount! Do NOT remove pitch adjustment screws completely while the display is installed to the mount!

5. Loosen two stability knobs on either side of head assembly. (See Figure 21)
6. Loosen pitch adjustment screws to allow pitch to be adjusted. (See Figure 21)
7. Adjust pitch as desired. (See Figure 21)
8. Tighten pitch adjustment screws to lock pitch position. (See Figure 21)
9. Tighten two stability knobs on either side of head assembly. (See Figure 21)

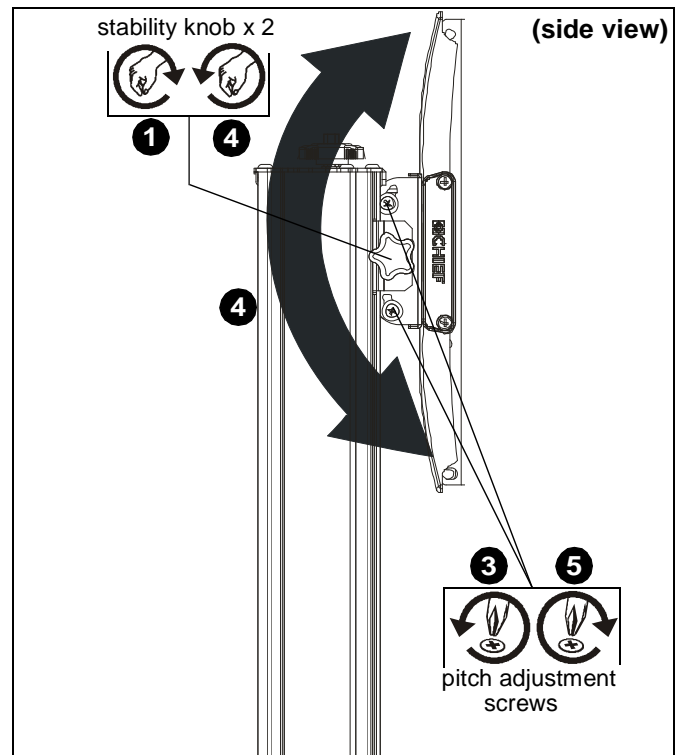


Figure 21

Cart Use and Maintenance

⚠ WARNING: Exceeding the weight capacity can result in serious personal injury or damage to equipment! It is the installer's responsibility to make sure the combined weight of all accessories and components located between the XPA1U up to (and including) the display does not exceed 300 lbs (136 kg).

⚠ WARNING: RISK OF SERIOUS INJURY OR DEATH! Placing a remote control or toy on the cart may encourage a child to climb onto the cart causing the cart to tip over onto the child. **DO NOT** place remote controls or toys on the cart!

⚠ WARNING: RISK OF SERIOUS INJURY OR DEATH! Relocating audio and/or video equipment to the cart may result in the cart collapsing or overturning onto a child. **DO NOT** relocate audio and/or video equipment to the cart!

⚠ WARNING: CART CAN TIP OVER RESULTING IN INJURY! Do not allow children under 16 to move cart. Only adults should move this cart. Move cart slowly. Apply moving force on narrow dimension. Never apply force at top - always push toward the middle. Push, don't pull cart. (See Figure 22)

NOTE: The XPA1U cart has no user serviceable parts.

NOTE: The XPA1U cart can support screen sizes up to a maximum of 100" wide.

1. Always place cart on a level surface.

2. Always lock the wheels when the cart is not moving.
3. Check and tighten the hex nuts on the casters occasionally. (See Figure 23) These should be checked especially after use on uneven ground.

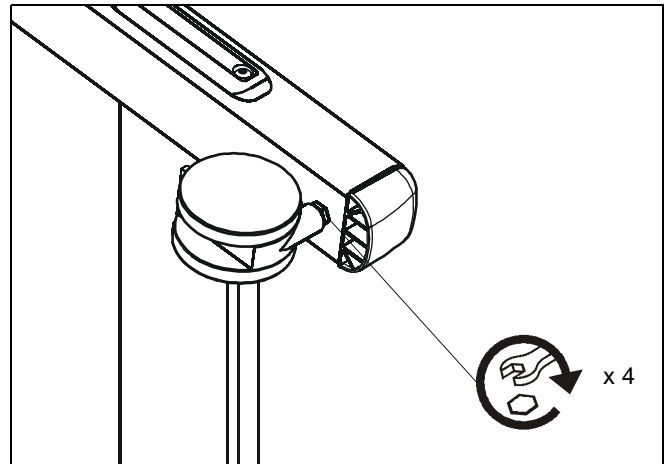


Figure 23

Removing Display from Cart

1. Remove any padlocks from interface uprights if installed.
2. Position latches on interface uprights so that they are in the "open" position. (See Figure 24)

⚠ WARNING: DISPLAYS MAY WEIGHT IN EXCESS OF 40 LBS! Always use two people and proper lifting techniques when installing or positioning display on cart.

3. Carefully lift display from cart. (See Figure 24)

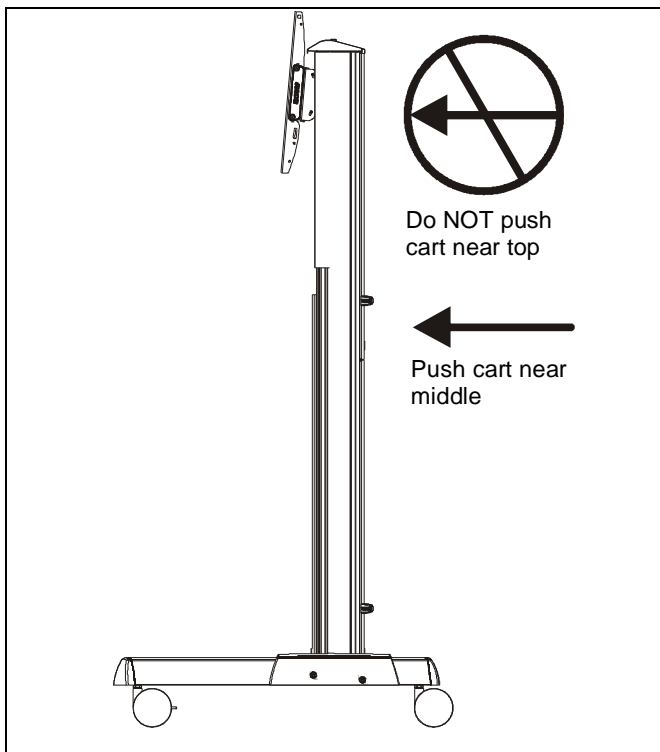


Figure 22

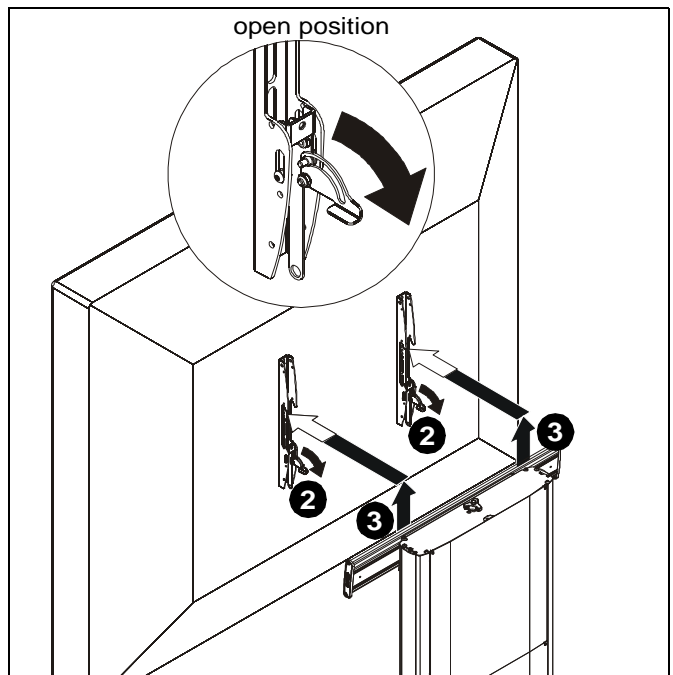


Figure 24

Touchboards

205 Westwood Ave, Long Branch, NJ 07740
Phone: 866-94 BOARDS (26273) / (732)-222-1511
Fax: (732)-222-7088 | E-mail: sales@touchboards.com



Our Mounts. **Your Vision.**

Chief, a products division of
Milestone AV Technologies

8800-002935 Rev01
 ©2016 Milestone AV Technologies
www.milestone.com
 12/16

USA/International	A 6436 City West Parkway, Eden Prairie, MN 55344
	P 800.582.6480 / 952.225.6000
	F 877.894.6918 / 952.894.6918
Europe	A Franklinstraat 14, 6003 DK Weert, Netherlands
	P +31 (0) 495 580 852
	F +31 (0) 495 580 845
Asia Pacific	A Office No. 918 on 9/F, Shatin Galleria 18-24 Shan Mei Street Fotan, Shatin, Hong Kong
	P 852 2145 4099
	F 852 2145 4477

