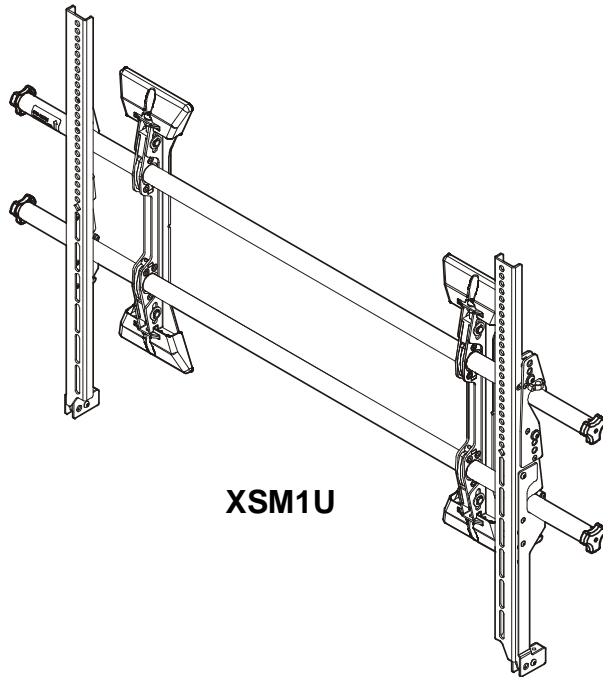


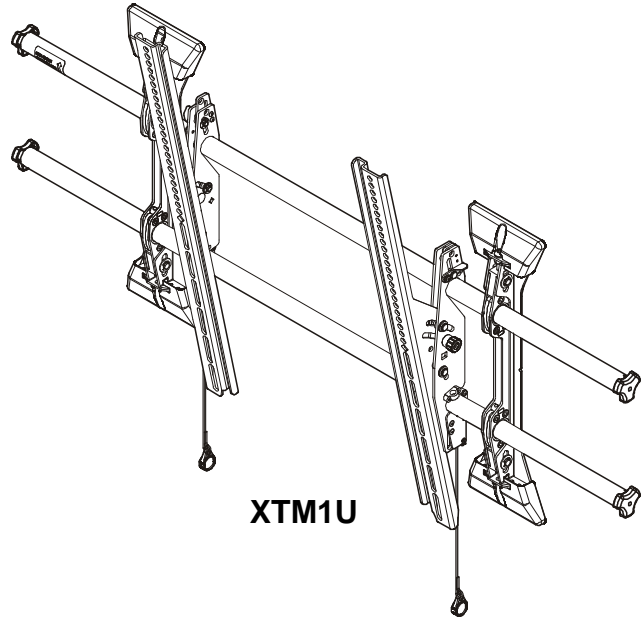
---

# INSTALLATION INSTRUCTIONS

---



**XSM1U**



**XTM1U**

---

## FUSION EXTRA LARGE HEIGHT ADJUST FLAT PANEL MOUNTS

---

**Touchboards**

205 Westwood Ave, Long Branch, NJ 07740  
Phone: 866-94 BOARDS (26273) / (732)-222-1511  
Fax: (732)-222-7088 | E-mail: [sales@touchboards.com](mailto:sales@touchboards.com)

---

**CHIEF**<sup>®</sup>  
Our Mounts. Your Vision.

**XSM1U/XTM1U**

---

## DISCLAIMER

Milestone AV Technologies, and its affiliated corporations and subsidiaries (collectively "Milestone"), intend to make this manual accurate and complete. However, Milestone makes no claim that the information contained herein covers all details, conditions or variations, nor does it provide for every possible contingency in connection with the installation or use of this product. The information contained in this document is subject to change without notice or obligation of any kind. Milestone makes no representation of warranty, expressed or implied, regarding the information contained herein. Milestone assumes no responsibility for accuracy, completeness or sufficiency of the information contained in this document.

Chief® is a registered trademark of Milestone AV Technologies. All rights reserved.



## IMPORTANT SAFETY INSTRUCTIONS



**WARNING:** A WARNING alerts you to the possibility of serious injury or death if you do not follow the instructions.



**CAUTION:** A CAUTION alerts you to the possibility of damage or destruction of equipment if you do not follow the corresponding instructions.



**WARNING:** Failure to read, thoroughly understand, and follow all instructions can result in serious personal injury, damage to equipment, or voiding of factory warranty! It is the installer's responsibility to make sure all components are properly assembled and installed using the instructions provided.



**WARNING:** Failure to provide adequate structural strength for this component can result in serious personal injury or damage to equipment! It is the installer's responsibility to make sure the structure to which this component is attached can support five times the combined weight of all equipment. Reinforce the structure as required before installing the component.



**WARNING:** Exceeding the weight capacity can result in serious personal injury or damage to equipment! It is the installer's responsibility to make sure the combined weight of all components located on the XSM1U/XTM1U does not exceed 250 lbs (113.4 kg).



**WARNING:** Use this mounting system only for its intended use as described in these instructions. Do not use attachments not recommended by the manufacturer.



**WARNING:** Never operate this mounting system if it is damaged. Return the mounting system to a service center for examination and repair.



**WARNING:** Do not use this product outdoors.

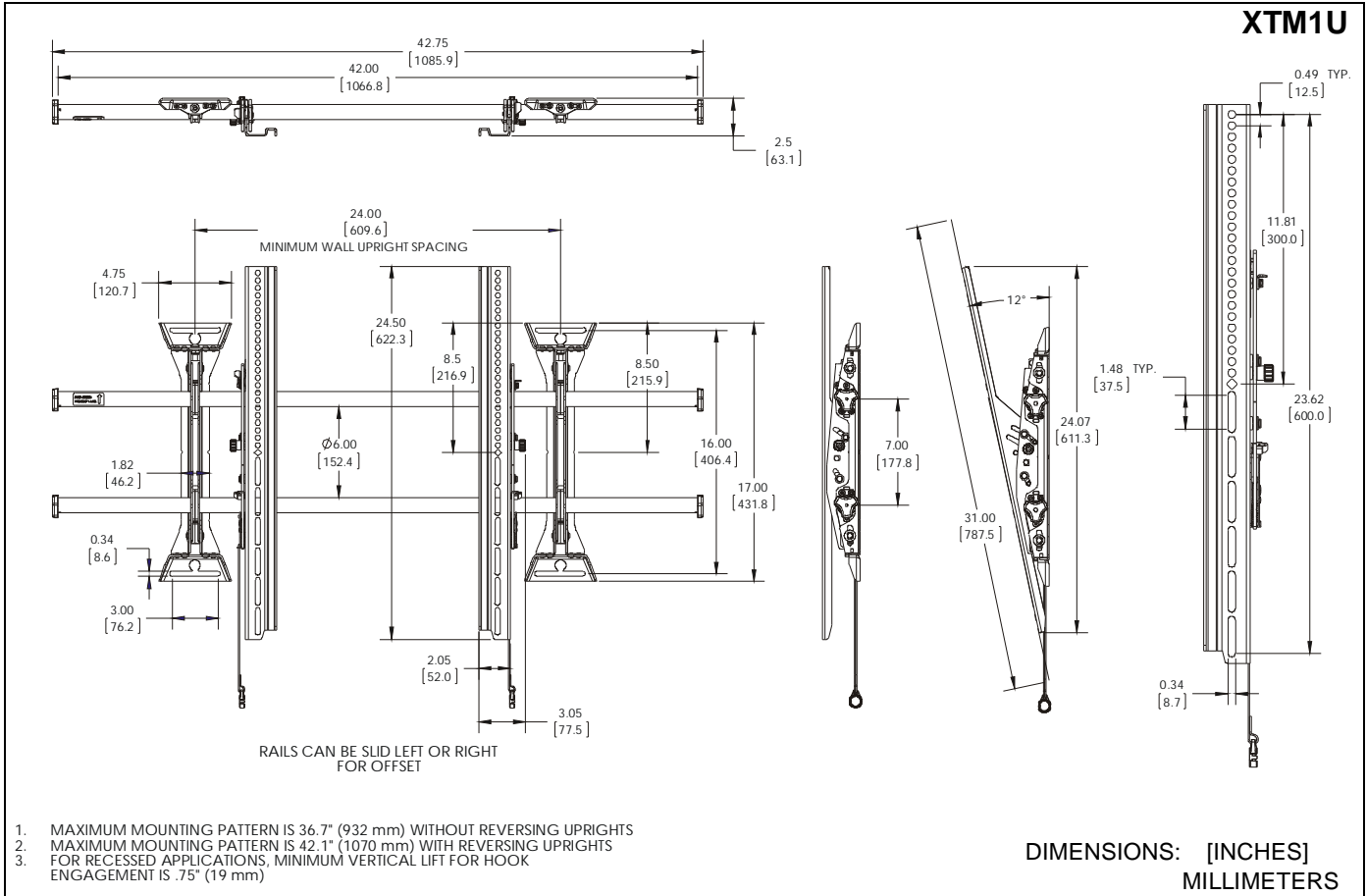
**IMPORTANT ! :** The XSM1U/XTM1U mounts are designed to be mounted to:

- a bare concrete wall with a minimum thickness of 8" (203mm);
- a bare 8" x 8" x 16" (203mm x 203mm x 406mm) concrete block wall; or
- wood studs spaced 24" or 32" (610mm or 813mm) on center with a maximum drywall covering of 5/8".



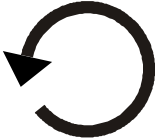









**--SAVE THESE INSTRUCTIONS--**



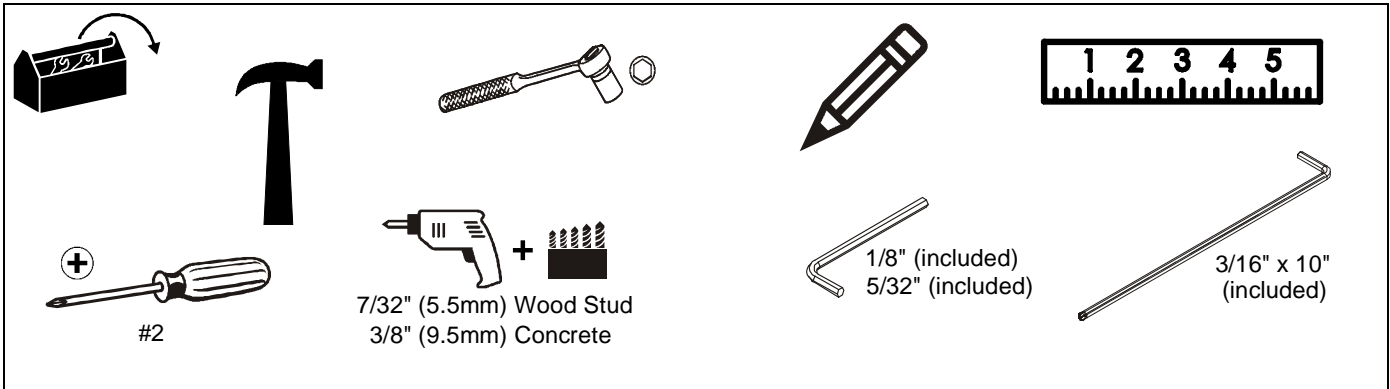
**DIMENSIONS--continued**



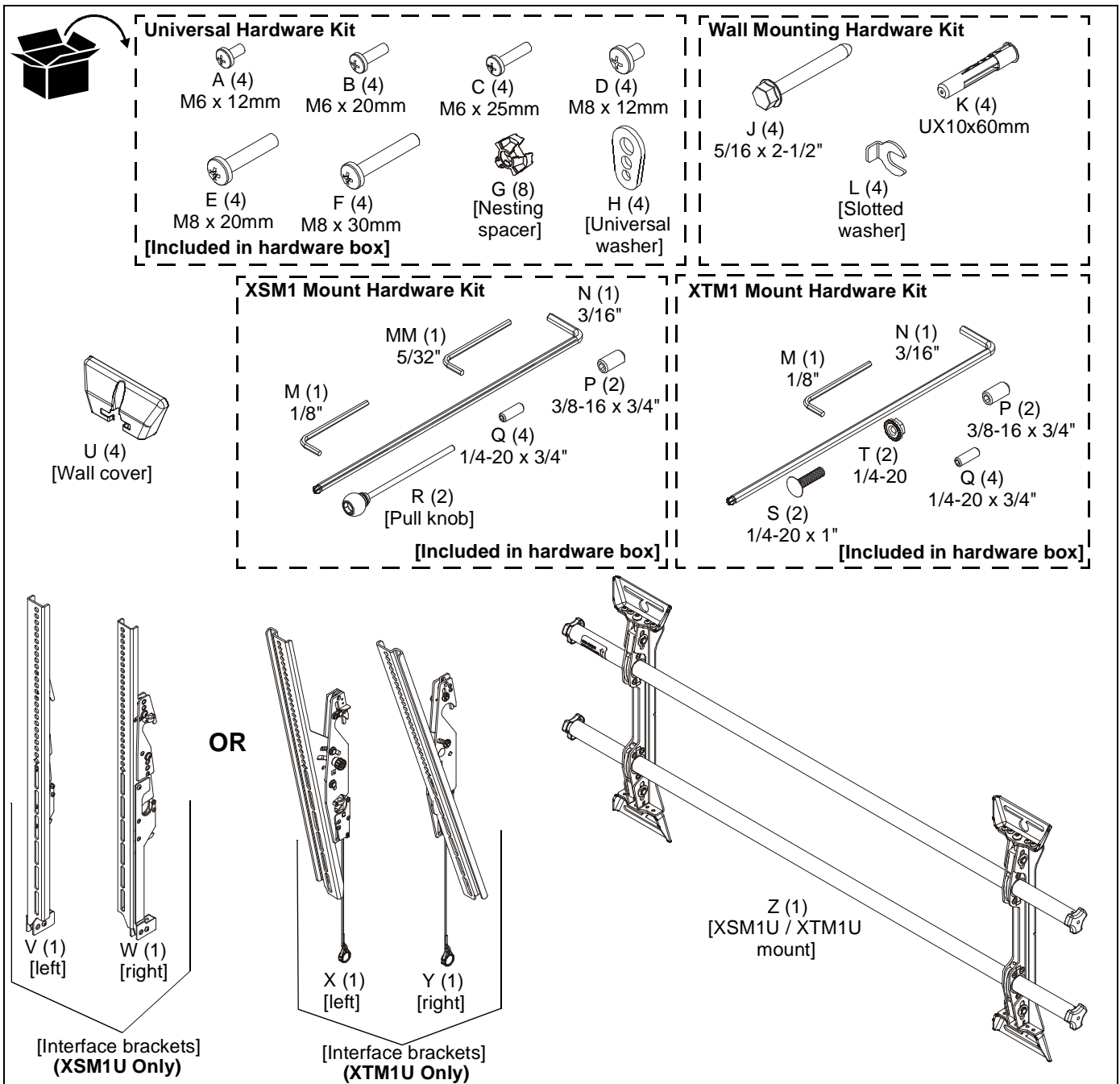
**LEGEND**

	<p><b>Tighten Fastener</b>                      Apretar elemento de fijación                      Befestigungsteil festziehen                      Apertar fixador                      Serrare il fissaggio                      Bevestiging vastdraaien                      Serrez les fixations</p>		<p><b>Pencil Mark</b>                      Marcar con lápiz                      Stiftmarkierung                      Marcar com lápis                      Segno a matita                      Potloodmerkteken                      Marquage au crayon</p>
	<p><b>Loosen Fastener</b>                      Aflojar elemento de fijación                      Befestigungsteil lösen                      Desapertar fixador                      Allentare il fissaggio                      Bevestiging losdraaien                      Desserrez les fixations</p>		<p><b>Drill Hole</b>                      Perforar                      Bohrloch                      Fazer furo                      Praticare un foro                      Gat boren                      Percez un trou</p>
	<p><b>Phillips Screwdriver</b>                      Destornillador Phillips                      Kreuzschlitzschraubendreher                      Chave de fendas Phillips                      Cacciavite a stella                      Kruiskopschroevendraaier                      Tournevis à pointe cruciforme</p>		<p><b>Adjust</b>                      Ajustar                      Einstellen                      Ajustar                      Regolare                      Afstellen                      Ajuster</p>
	<p><b>Open-Ended Wrench</b>                      Llave de boca                      Gabelschlüssel                      Chave de bocas                      Chiave a punte aperte                      Steeksleutel                      Clé à fourche</p>		<p><b>Remove</b>                      Quitar                      Entfernen                      Remover                      Rimuovere                      Verwijderen                      Retirez</p>
	<p><b>By Hand</b>                      A mano                      Von Hand                      Com a mão                      A mano                      Met de hand                      À la main</p>		<p><b>Optional</b>                      Opcional                      Optional                      Opcional                      Opzionale                      Optie                      En option</p>
	<p><b>Hex-Head Wrench</b>                      Llave de cabeza hexagonal                      Sechskantschlüssel                      Chave de cabeça sextavada                      Chiave esagonale                      Zeskantsleutel                      Clé à tête hexagonale</p>		<p><b>Security Wrench</b>                      Llave de seguridad                      Sicherheitsschlüssel                      Chave de segurança                      Chiave di sicurezza                      Veiligheidsleutel                      Clé de sécurité</p>

**TOOLS REQUIRED FOR INSTALLATION**



**PARTS**



## INSTALLATION

The XSM1U/XTM1U mounts are designed to be mounted to:

- a bare concrete wall with a minimum thickness of 8" (203mm);
- a bare 8" x 8" x 16" (203mm x 203mm x 406mm) concrete block wall; or
- wood studs spaced 24" or 32" (610mm or 813mm) on center with a maximum drywall covering of 5/8".

The XTM1U has brackets which allow the TV to be tilted. The XSM1U has static brackets which keep the TV in an upright position.

### Locate Mounting Site



**WARNING:** IMPROPER INSTALLATION CAN LEAD TO MOUNT FALLING CAUSING SEVERE PERSONAL INJURY OR DAMAGE TO EQUIPMENT! It is the installers responsibility to make certain the structure to which the mount is being attached is capable of supporting five times the combined weight of all components located on the mount, not to exceed 250 lbs (113.4 kg).

**NOTE:** Proceed to either the **Installing to a Wood Stud Wall** section or the **Installing to a Concrete Wall** section.

### Installing to a Wood Stud Wall



**CAUTION:** MINIMUM HORIZONTAL DISTANCE BETWEEN WALL BRACKETS IS 24" (610mm). Do not place mounting brackets closer together than 24" (610mm). When attaching to a wall containing studs located 16" on center, space the uprights 32" (813mm) apart.

1. Determine the center of the TV screen, and where it should be located on the wall.
2. Locate the closest stud to the left and right of the selected location.

**NOTE:** If the screen area lies over a stud, use that stud and the stud to either the left or right of it.

3. Line up the notches on mount (Z) with center of screen marking to determine vertical center. (See Figure 1)
4. Measure up 8" (203mm) from the center point to mark location of the upper mounting slots.
5. Using a level, mark the wall on each stud to attach the mount through the upper mounting slots. (See Figure 2)
6. Drill one 7/32" (5.5mm) pilot hole in each stud.
7. Partially install two 5/16 x 2-1/2" flanged lag bolts (J) into pilot holes but do not tighten to wall.
8. Hang mount (Z), aligning upper mounting slots over lag bolts and adjust side-to-side for proper location.
9. Place one slotted washer (L) over each flanged lag bolt. (See Figure 2)
10. Tighten lag bolts to secure mount (Z) to wall at upper mounting slots.
11. Mark the attachment points for the lower mounting slots, making sure the attachment points are located on the studs. (See Figure 2)

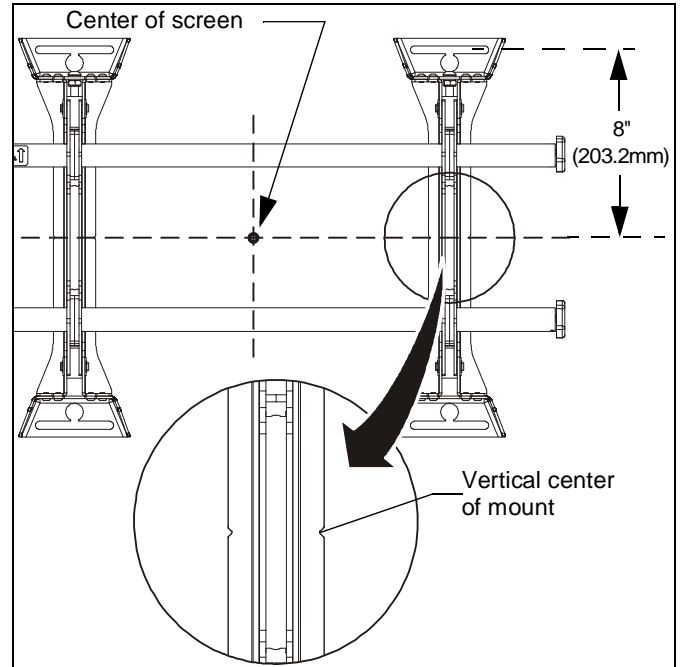


Figure 1

12. Drill 7/32" (5.5mm) pilot holes at markings for lower mounting holes. (See Figure 2)
13. Use two 5/16 x 2-1/2" flanged lag bolts (J) and two 5/16" slotted washers (L) to attach the mount to the wall through the lower mounting holes. (See Figure 2)
14. Slide rails to approximate center of screen location.
15. Proceed to **Locking Rails** section.

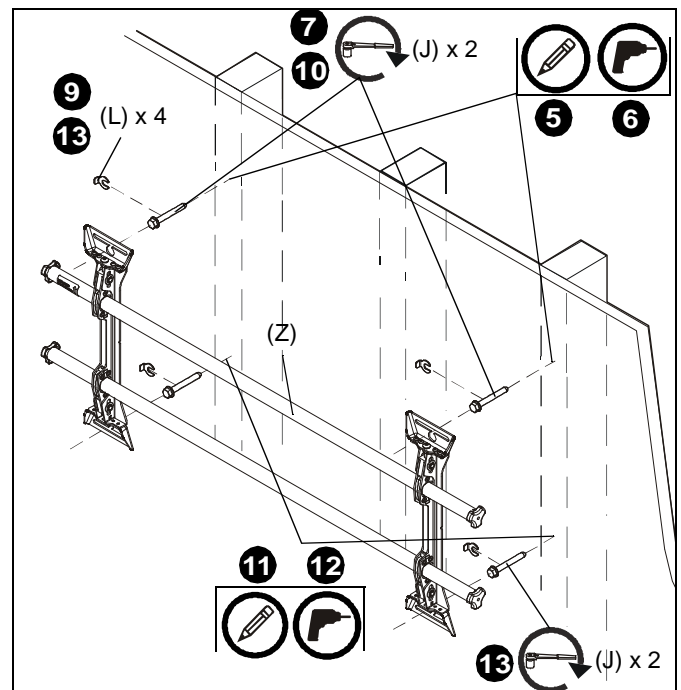


Figure 2

## Installing to a Concrete Wall



**CAUTION:** MINIMUM HORIZONTAL DISTANCE BETWEEN WALL BRACKETS IS 24" (610mm). Do not place mounting brackets closer together than 24" (610mm).

1. Determine the center of the TV screen, and where it should be located on the wall.
2. Line up the notches on mount (Z) with center of screen marking to determine vertical center. (See Figure 1)
3. Measure up 8" (203.2mm) from the center point to mark location of the upper mounting slots. (See Figure 1)
4. Using a level, mark the wall through both upper mounting slots. (See Figure 3)

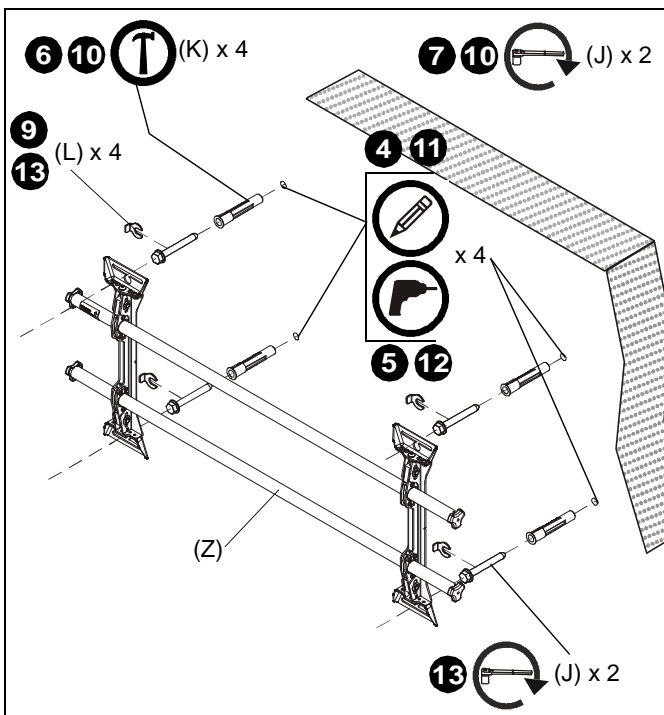


Figure 3

5. Drill one 3/8" x 3-1/2" (9.5mm x 88.9mm) pilot hole at each marking.
6. Install an anchor (K) into each pilot hole using a hammer, making sure that the anchor is flush with the wall.
7. Partially install two 5/16 x 2-1/2" flanged lag bolts (J) into pilot holes but do not tighten to wall.
8. Hang mount (Z), aligning upper mounting slots over lag bolts and adjust side-to-side for proper location.
9. Place one slotted washer (L) over each flanged lag bolt. (See Figure 3)
10. Tighten lag bolts to secure mount (Z) to wall at upper mounting slots.
11. Mark the attachment points for the lower mounting slots, making sure the attachment points are located on the studs. (See Figure 3)
12. Drill 3/8" x 3-1/2" (9.5mm x 88.9mm) pilot holes at markings for lower mounting holes. (See Figure 3)

13. Use two 5/16 x 2-1/2" flanged lag bolts (J) and two 5/16" slotted washers (L) to attach the mount to the wall through the lower mounting holes. (See Figure 3)
14. Slide rails to approximate center of screen location.

## Locking Rails (Optional)

1. Lock rails into place using two 1/4-20 x 3/4" set screws (Q) on mount upright (Z) and the 1/8" hex key (M). (See Figure 4)
2. Repeat for remaining mount upright.

**NOTE:** To easily install upper set screw against upper rail, place set screw (Q) onto hex key (M), and feed up into hole while turning to tighten.

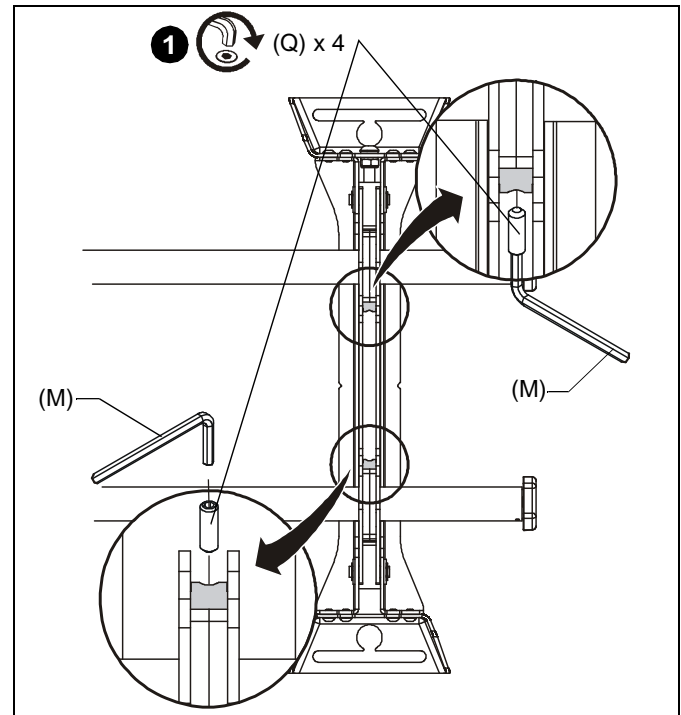


Figure 4

# Touchboards

205 Westwood Ave, Long Branch, NJ 07740  
 Phone: 866-94 BOARDS (26273) / (732)-222-1511  
 Fax: (732)-222-7088 | E-mail: sales@touchboards.com



### Attaching Interface Brackets to Screen

1. Align the center of the bracket (V and W or X and Y) with center of screen. (See Figure 5)

**NOTE:** The diamond-shape holes in the bracket correspond to the center of the mount.

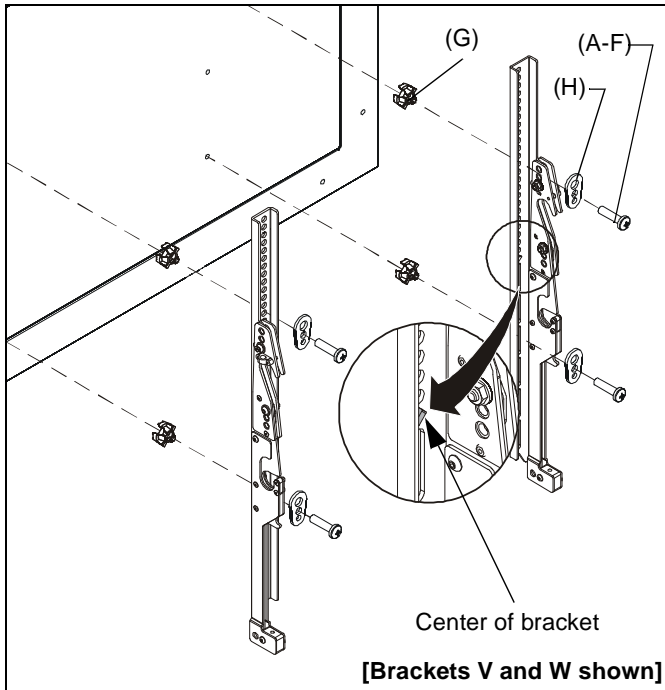


Figure 5



**WARNING:** IMPROPER INSTALLATION CAN LEAD TO DISPLAY FALLING CAUSING SERIOUS PERSONAL INJURY OR DAMAGE TO EQUIPMENT! Using screws of improper size may damage your display. Properly sized screws will easily and completely thread into display mounting holes. If spacers are required, be sure to use longer screws of the same diameter.

2. Select correct screws, nesting spacers (if necessary) and universal washers from the hardware bag (A-H) and attach brackets to back of screen. (See Figure 5)

**NOTE:** The nesting spacers (G) may be used separately, or put two together in different configurations to create different size spacers. (See Figure 6)

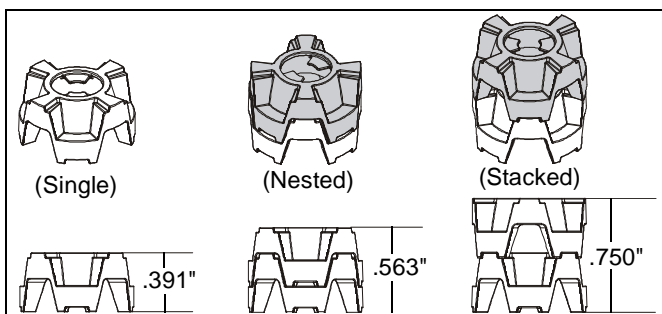


Figure 6

### Switching Interface Brackets (Optional)

If an installation situation makes adjusting the location of interface brackets necessary, there are several options.

1. The wall brackets may be adjusted side to side at the point of attachment. (See Figure 7)
2. The location of the left and right interface brackets (V and W or X and Y) may be switched, with the knobs on the XTM1U interface brackets (X and Y) facing the inside of the mount. (See Figure 7)

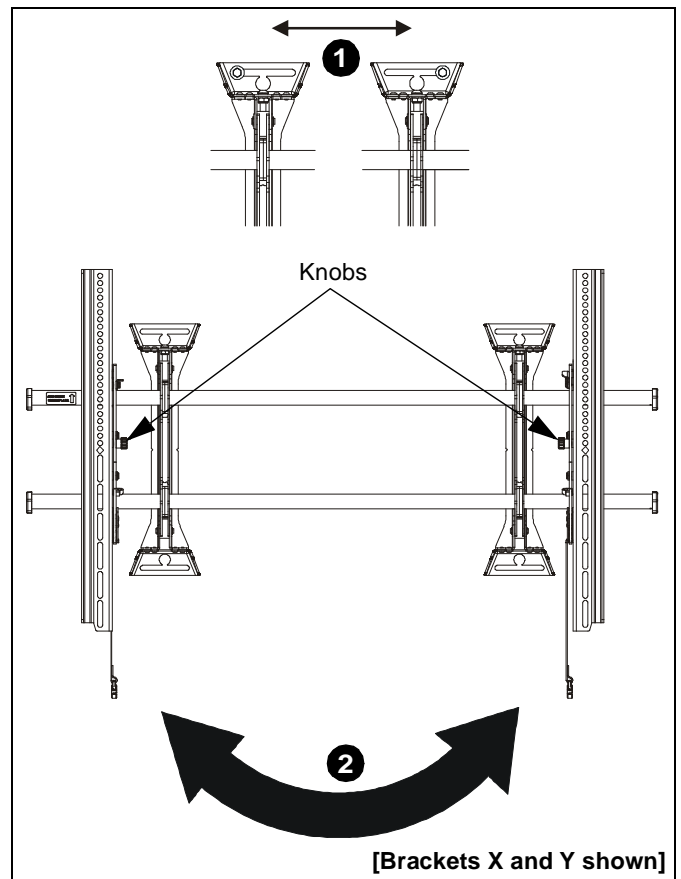


Figure 7

3. If necessary, the tilt interface bracket knobs may be switched to allow the interface brackets (X and Y) to be reversed. (See Figure 8)
  - a. Remove display from mount.
  - b. Remove interface brackets from display.
  - c. Hold the right interface bracket horizontally, tightly gripping it so that spacers do not move.
  - d. Remove the knob and screw.
  - e. Replace the knob and screw in the opposite order, with the knob on the inside of the bracket.
  - f. Switch the right interface bracket to the left side of the wall mount.
  - g. Repeat Steps 3c through 3f with the left interface bracket.

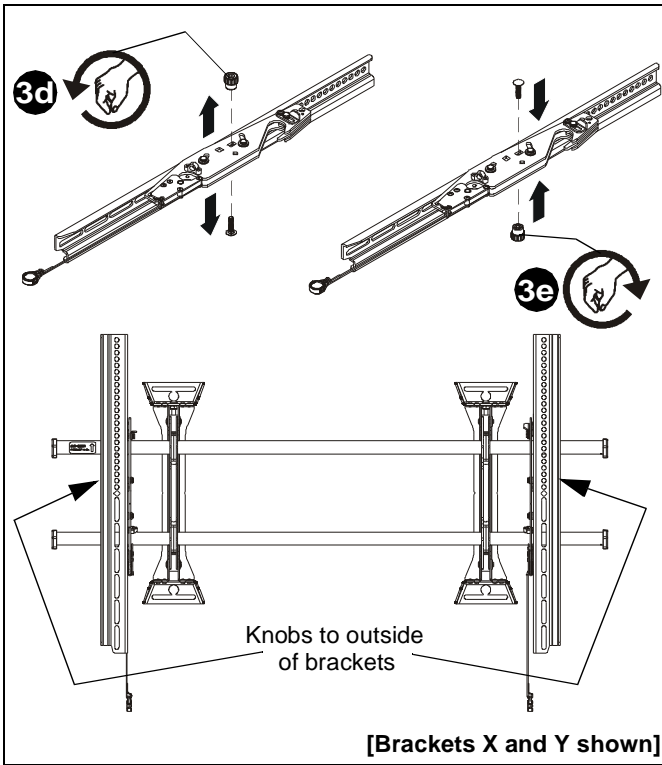


Figure 8

**Attaching Screen to Wall Mount**

1. Attach wall covers (U) to top and bottom of both wall brackets. (See Figure 9)

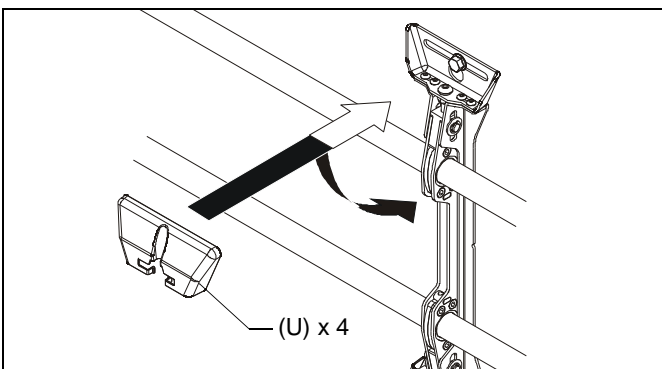


Figure 9

**NOTE:** NEVER place both interface brackets (V and W or X and Y) to one side of the wall mount center line! (See Figure 10)

**NOTE:** Do NOT allow both interface brackets (V and W or X and Y) to be located on same side of wall bracket. (See Figure 10)

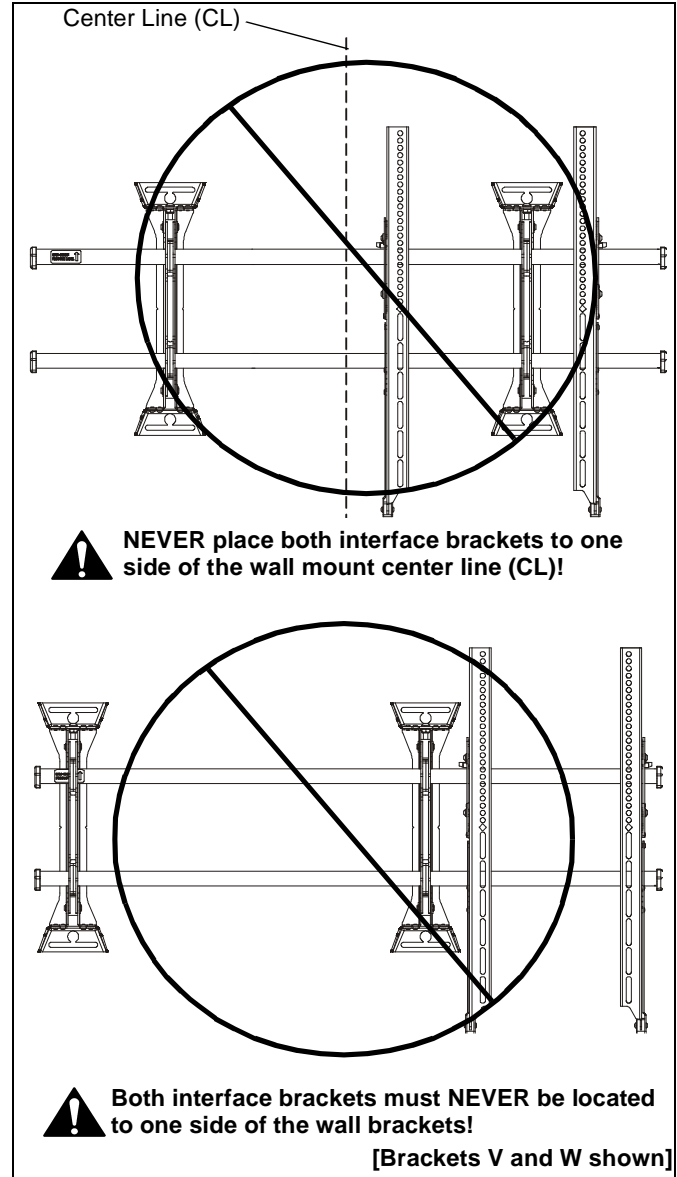


Figure 10

**IMPORTANT ! : (XSM1U Only)** Completely extend bottom of interface brackets (by pulling downward) to set interface brackets in **SERVICE** position before hanging on top rail. (See Figure 11)

2. Hang screen onto the top rail of the mount (Z). (See Figure 12)
  - **XSM1U:** Hang top hook of interface brackets (V and W) onto the top rail of the mount (Z). (See Figure 12)
  - **XTM1U:** Move latch on top of interface bracket to **OPEN** position and hang top hook of interface brackets (X and Y) onto the top rail of the mount (Z). (See Figure 12)

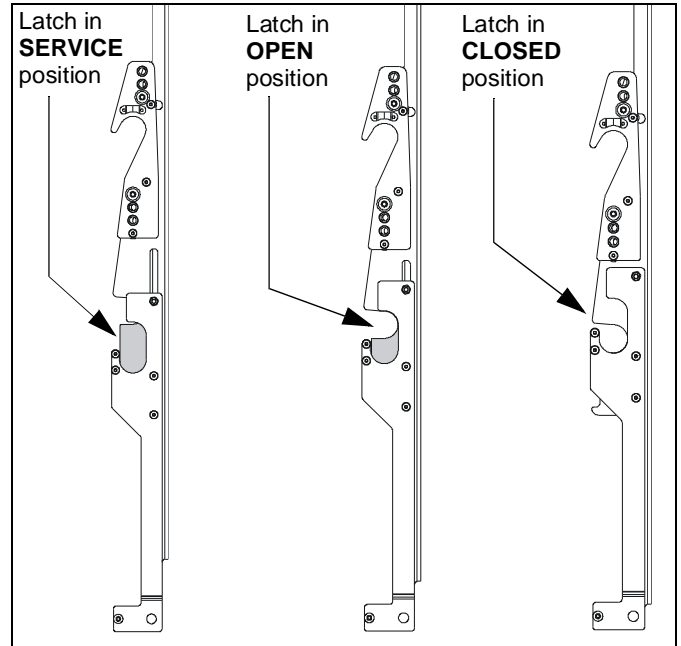
**NOTE:** The screen initially installs into the "service mode" to allow easy cable access.

3. Adjust screen and rails to desired viewing position, and route cables between wall and rails.



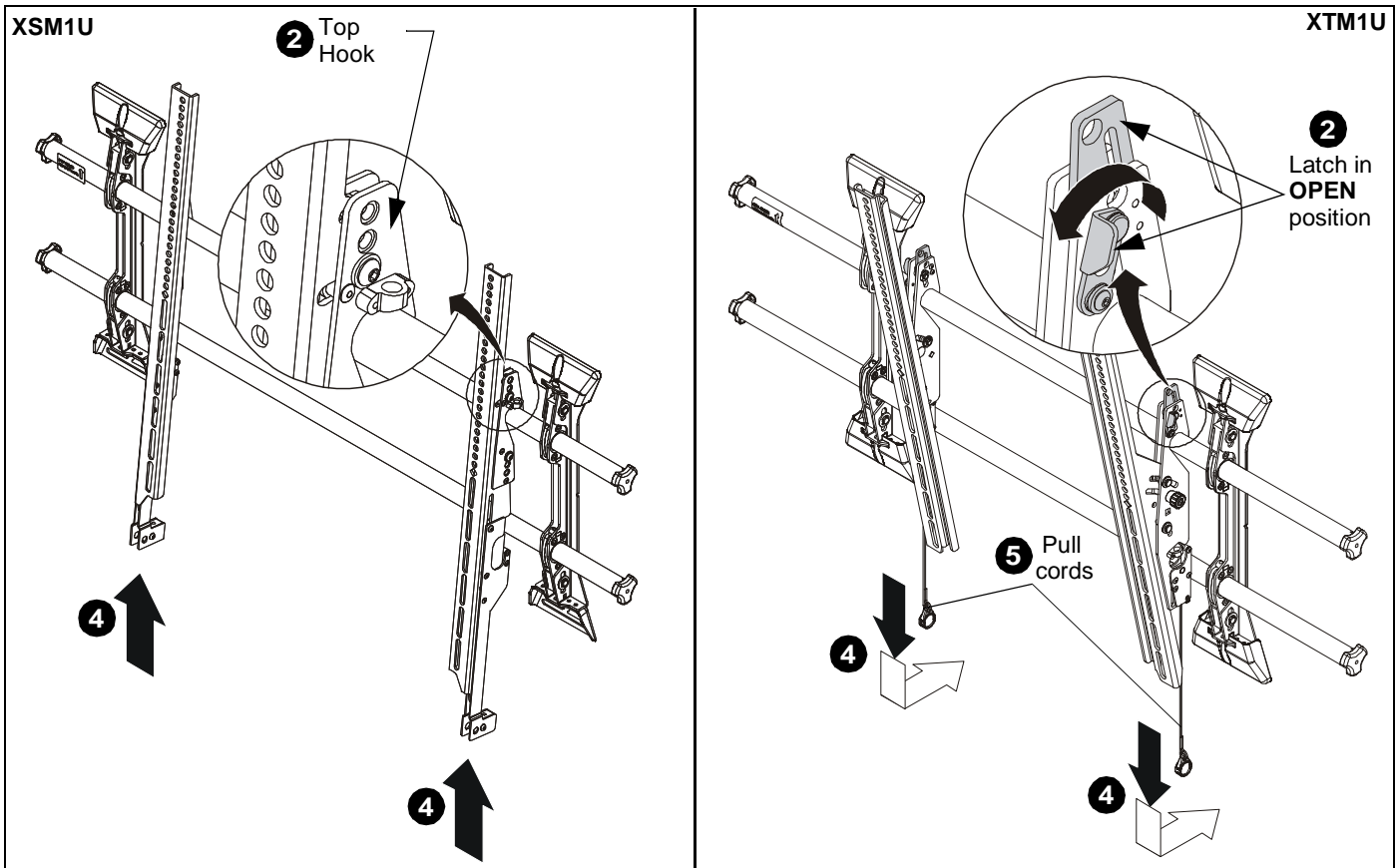
**CAUTION:** PINCH POINTS! Keep fingers, hands and cables out of pinch point areas.

4. Fasten bottom of screen to mount:
  - **XSM1U** - Open latch by pushing bottom of interface bracket up to **OPEN** position, latching interface brackets to lower rail, and then push up from bottom of interface bracket again until the interface bracket is in **CLOSED** position. (See Figure 11) and (See Figure 12)
  - **XTM1U** - Pull downward on the pull cords and swing inward toward mount, latching interface brackets to lower rail and fastening bottom of screen to the mount. (See Figure 12)



**Figure 11**

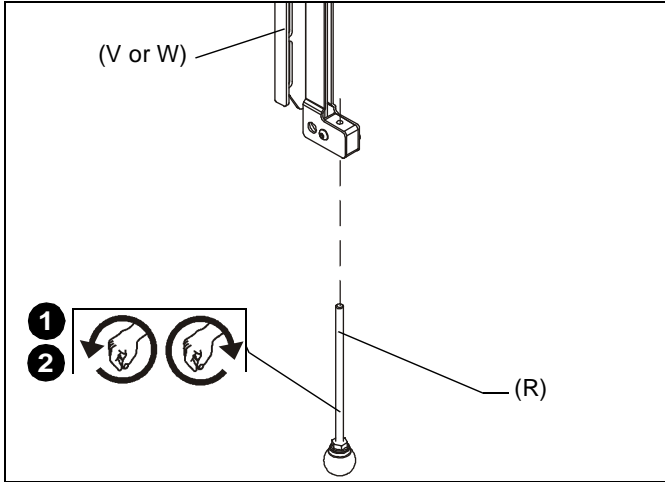
5. **XTM1U Only:** Attach end of pull cord (a magnet) to mount so it does not extend beyond bottom of screen. (See Figure 12)



**Figure 12**

**OPTIONAL: Adding Pull Knob (XSM1U Only)**

1. If necessary due to height of tall screen, add pull knob (R) to bottom of interface brackets (V and W) to allow easier accessibility for adjustment purposes. (See Figure 13)
2. Adjust length of pull knob so it is not visible below screen. (See Figure 13)

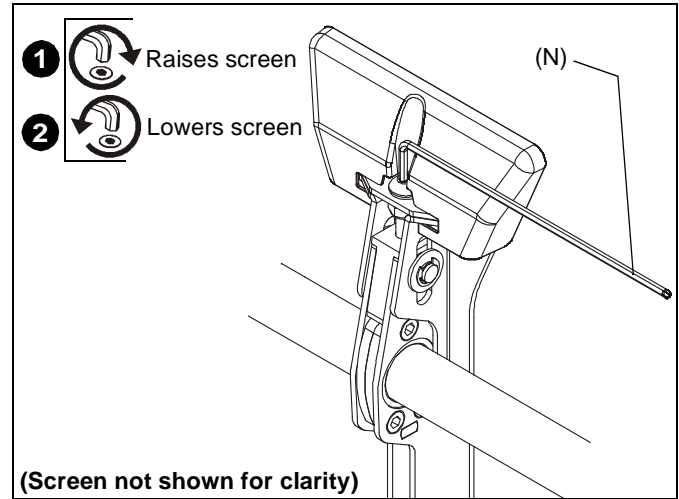


**Figure 13**

**Roll/Height Adjustment of Wall Brackets**

**NOTE:** The height adjust wall brackets allow adjustment of  $\pm 1/2"$  (12.7mm).

1. Turn to right (tighten) to raise side of screen. (See Figure 15)
2. Turn to left (loosen) to lower side of the screen.

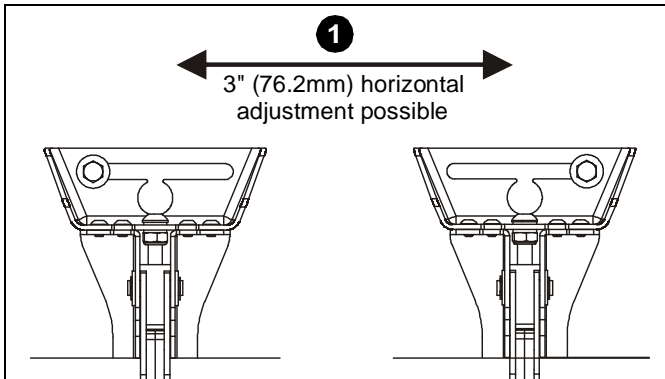


**Figure 15**

**Adjustments**

**Horizontal Adjustment**

1. The mount wall brackets may be adjusted side-to-side at the point of attachment. (See Figure 14)



**Figure 14**

2. The screen may be adjusted along rails side to side.

**NOTE:** NEVER place both interface brackets (V and W or X and Y) to one side of the wall mount center line! (See Figure 10)

**NOTE:** Do NOT allow both interface brackets (V and W or X and Y) to be located on same side of wall bracket. (See Figure 10)

3. **(XTM1U only)** Move latch on top of interface brackets to CLOSED position. (See Figure 16)

**Tilt (XTM1U Only)**

The interface brackets (X and Y) allow from  $-5^{\circ}$  to  $12^{\circ}$  tilt, and can be locked at  $0^{\circ}$ ,  $6^{\circ}$  and  $12^{\circ}$ .

1. Loosen the interface bracket knob.
2. Adjust tilt as required. (See Figure 16)
3. The tilt may be locked at  $0^{\circ}$ ,  $6^{\circ}$  or  $12^{\circ}$  using one 1/4-20 x 1" round head carriage bolt (S) and one 1/4-20 hex nut (T) per interface bracket. (See Figure 16)
4. Tighten interface bracket knob as necessary.

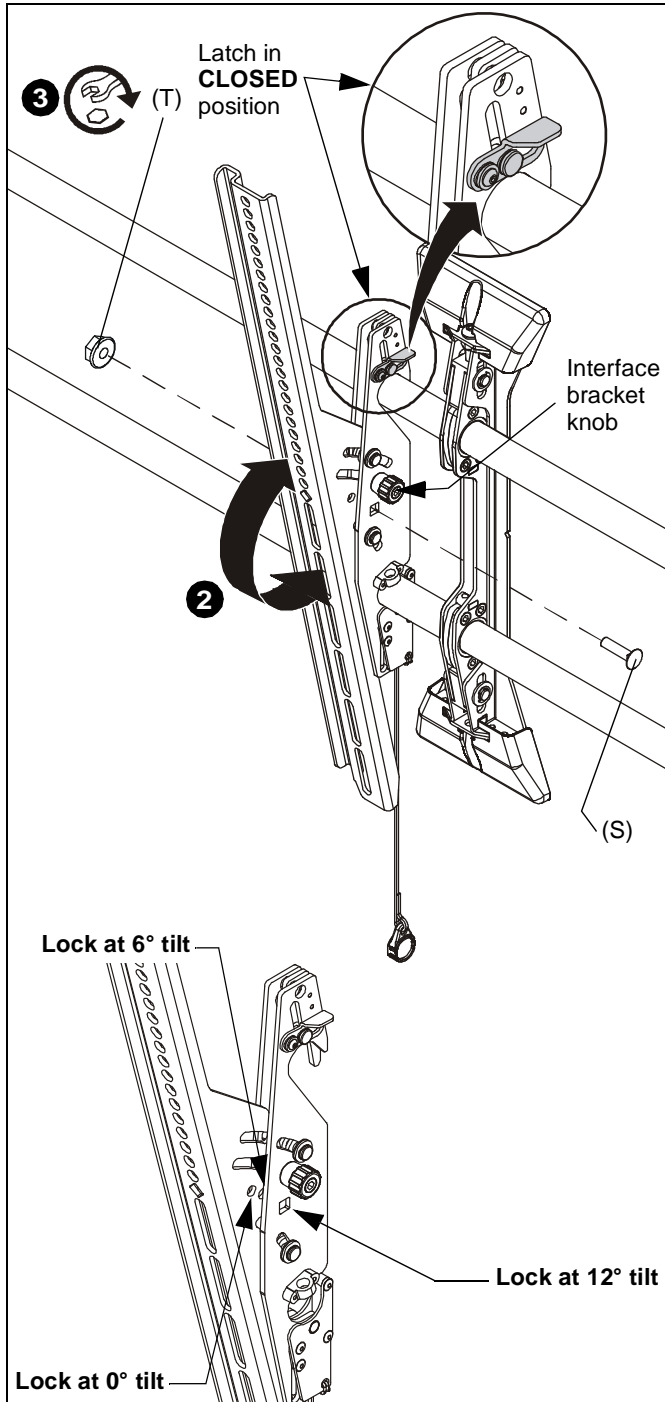


Figure 16

**Backwards Angle Compensation (XSM1U Only)**

The XSM1U may be slightly adjusted to help compensate for the forward tilt of a heavy screen.

**NOTE:** The interface brackets (V and W) ship in the 0° tilt position. (See Figure 17)

1. With interface brackets in **CLOSED** position (See Figure 11), remove two fasteners holding tilt compensation in place on each interface bracket (V and W). (See Figure 17)
2. Adjust interface bracket for -1° or -2° back tilt, as required. (See Figure 17)
3. Tighten two fasteners (removed in Step 1). (See Figure 17)

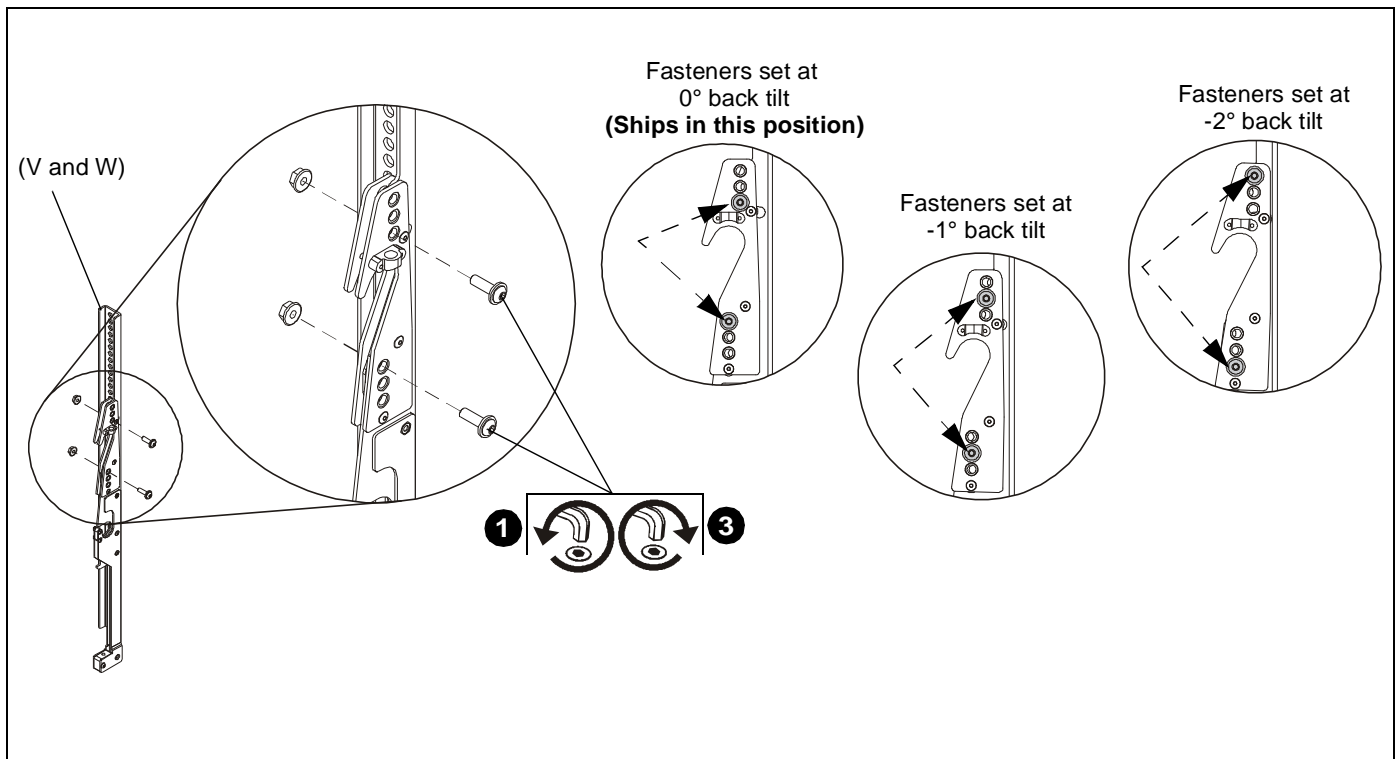
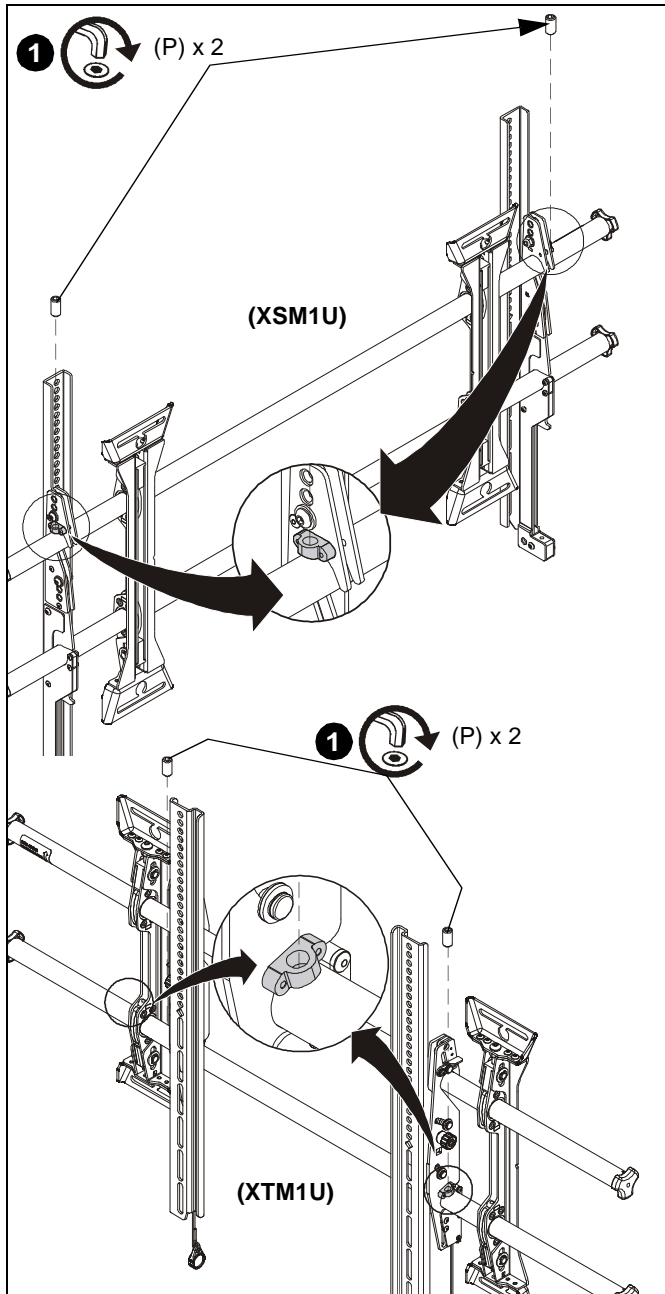


Figure 17

**Locking Screen Interface Brackets (Optional)**

1. Lock screen interface brackets onto mount rails using one 3/8-16 x 3/4" set screw (P) on each interface bracket. (See Figure 18)

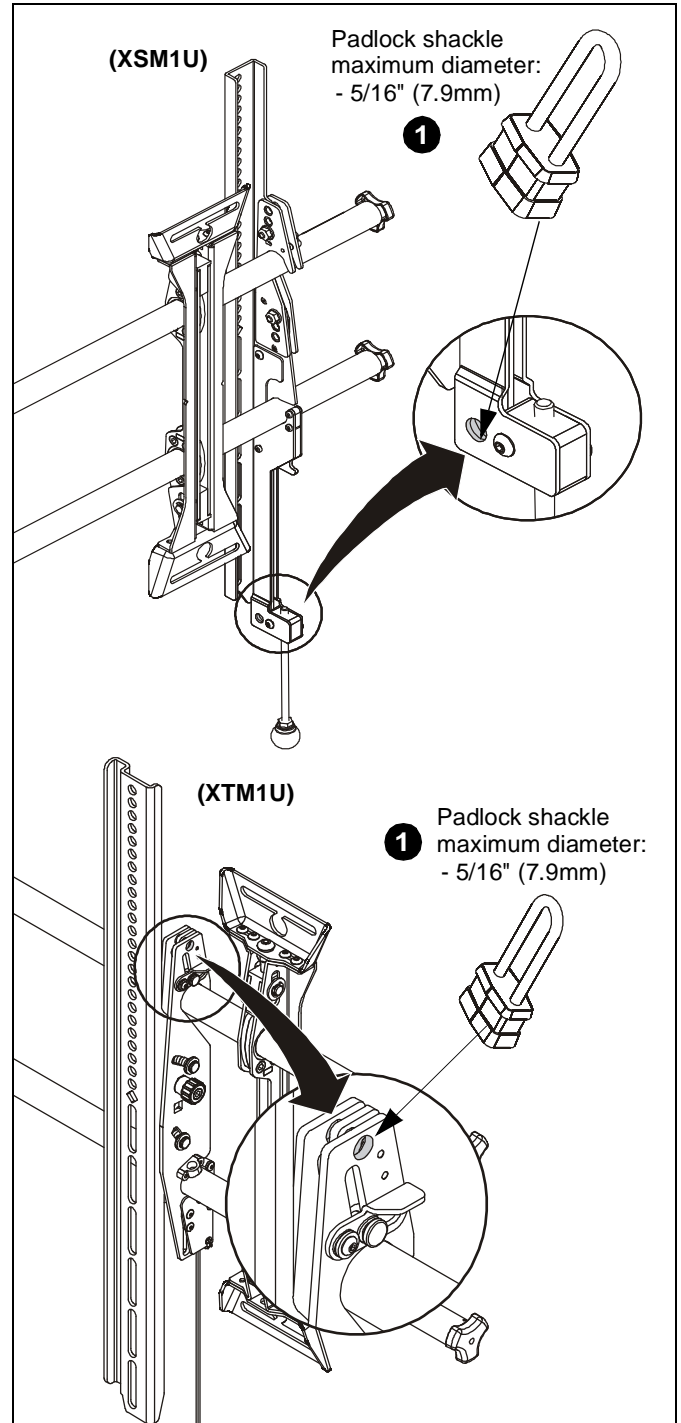


**Figure 18**

**Locking Mount (Optional)**

1. Add padlock (not included) to interface bracket to complete security. (See Figure 19)

**NOTE:** The padlock maximum shackle diameter is 5/16" (7.9 mm).



**Figure 19**

# Touchboards

**205 Westwood Ave, Long Branch, NJ 07740**

**Phone: 866-94 BOARDS (26273) / (732)-222-1511**

**Fax: (732)-222-7088 | E-mail: [sales@touchboards.com](mailto:sales@touchboards.com)**



Our Mounts. **Your Vision.**

Chief, a products division of  
Milestone AV Technologies

8800-002635 Rev02  
©2015 Milestone AV Technologies  
[www.chiefmfg.com](http://www.chiefmfg.com)  
01/15

<b>USA/International</b>	<b>A</b> 6436 City West Parkway, Eden Prairie, MN 55344 <b>P</b> 800.582.6480 / 952.225.6000 <b>F</b> 877.894.6918 / 952.894.6918
<b>Europe</b>	<b>A</b> Franklinstraat 14, 6003 DK Weert, Netherlands <b>P</b> +31 (0) 495 580 852 <b>F</b> +31 (0) 495 580 845
<b>Asia Pacific</b>	<b>A</b> Office No. 918 on 9/F, Shatin Galleria 18-24 Shan Mei Street Fotan, Shatin, Hong Kong <b>P</b> 852 2145 4099 <b>F</b> 852 2145 4477

