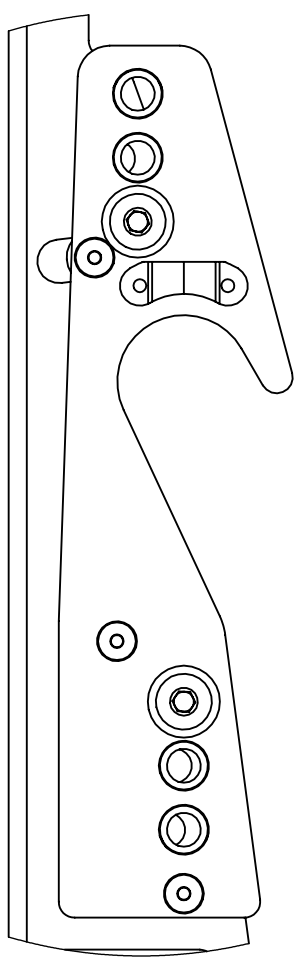
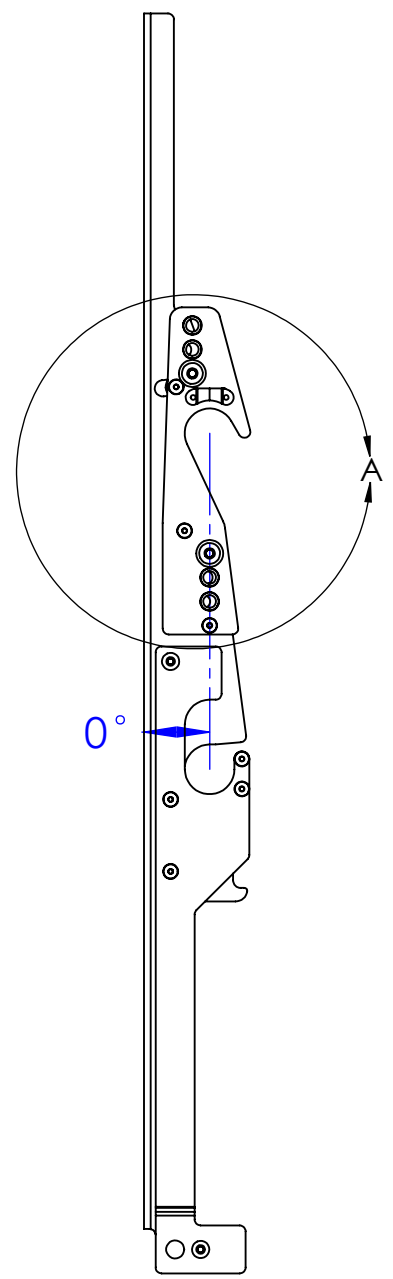


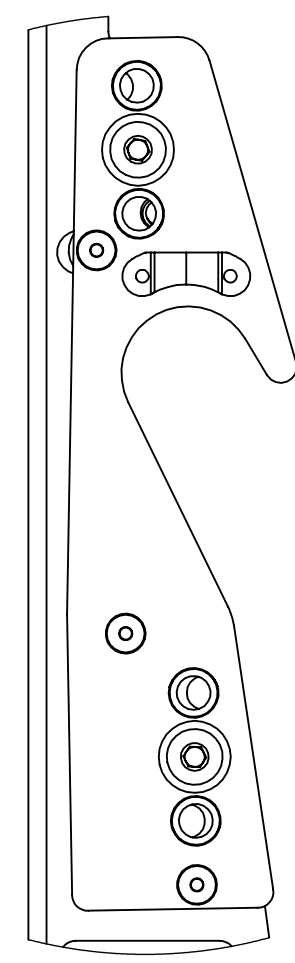
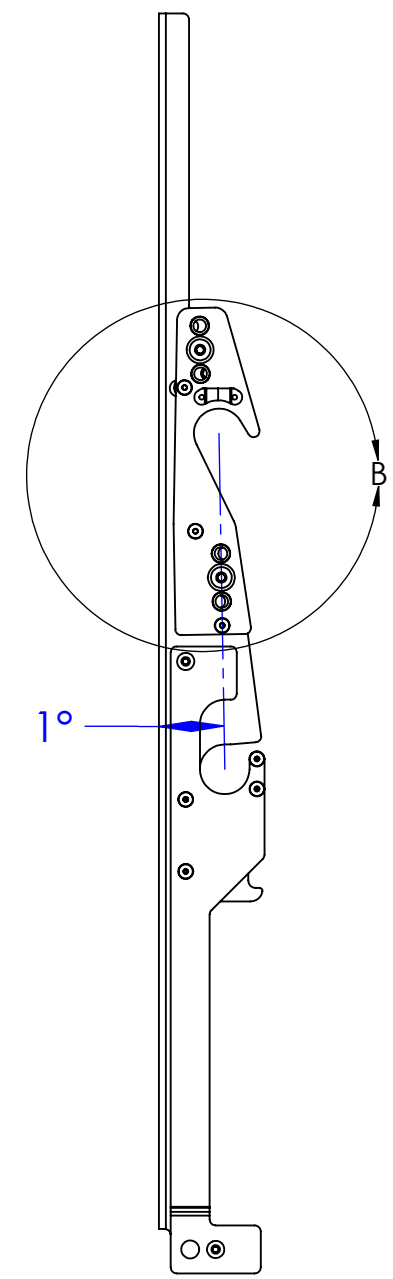
1. MAXIMUM MOUNTING PATTERN IS 38.7" (982 mm) WITHOUT REVERSING UPRIGHTS
2. MAXIMUM MOUNTING PATTERN IS 42.1" (1070 mm) WITH REVERSING UPRIGHTS
3. FOR RECESSED APPLICATIONS, MINIMUM VERTICAL LIFT FOR HOOK ENGAGEMENT IS .75" (19 mm)

THE INFORMATION AND DESIGNS CONTAINED IN THIS DRAWING ARE CONFIDENTIAL AND THE PROPRIETARY PROPERTY OF MILESTONE AV TECHNOLOGIES NEITHER THIS DESIGN NOR ANY INFORMATION CONTAINED IN THIS DRAWING MAY BE REPRODUCED OR DISCLOSED TO OTHERS WITHOUT THE EXPRESS WRITTEN CONSENT OF MILESTONE AV TECHNOLOGIES.

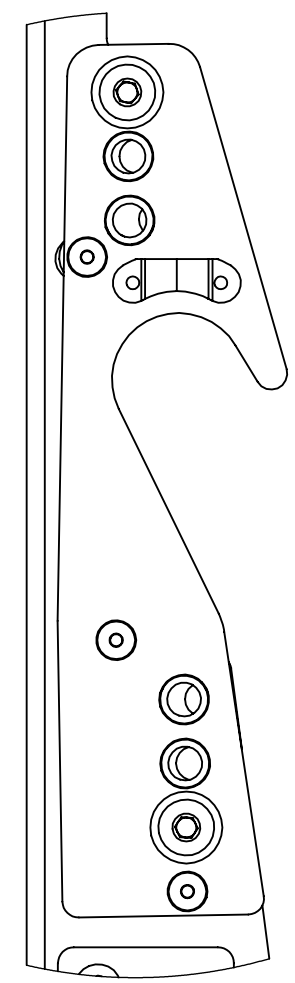
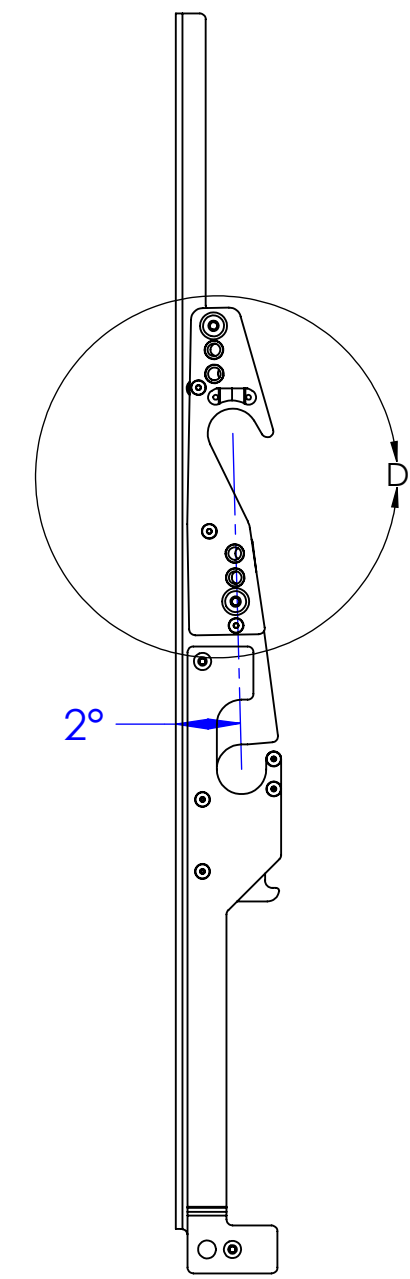
CAD GENERATED DRAWING, DO NOT MANUALLY UPDATE.			CHIEF		6436 CITY WEST PKWY EDEN PRAIRIE MN, 55344 PHONE: 866-977-3901 FAX: 877-894-6918
DRAWN BY	JAB	7/2/2014	DESCRIPTION XSM1U CUSTOMER TECHNICAL DRAWING		
ENG APPROVAL			MODEL NO. XSM1U		
MFG APPROVAL			SIZE	DWG. NO.	REV.
QA APPROVAL			B	TECH-000618	01
SHEET 1 OF 2			SCALE		
			1:8		



DETAIL A
SCALE 1 : 1.5



DETAIL B
SCALE 1 : 1.5



DETAIL D
SCALE 1 : 1.5

BACKWARDS ANGLE COMPENSATION SETTINGS

THE INFORMATION AND DESIGNS CONTAINED IN THIS DRAWING ARE CONFIDENTIAL AND THE PROPRIETARY PROPERTY OF MILESTONE AV TECHNOLOGIES NEITHER THIS DESIGN NOR ANY INFORMATION CONTAINED IN THIS DRAWING MAY BE REPRODUCED OR DISCLOSED TO OTHERS WITHOUT THE EXPRESS WRITTEN CONSENT OF MILESTONE AV TECHNOLOGIES.

CAD GENERATED DRAWING, DO NOT MANUALLY UPDATE.			6436 CITY WEST PKWY EDEN PRAIRIE MN, 55344 PHONE: 866-977-3901 FAX: 877-894-6918
DRAWN BY	JAB	7/2/2014	
ENG APPROVAL			DESCRIPTION XSM1U CUSTOMER TECHNICAL DRAWING
MFG APPROVAL			
QA APPROVAL			
SHEET 2 OF 2			MODEL NO. XSM1U
SCALE	1:8	SIZE	DWG. NO. TECH-000618
			REV. 01