



TILT WALL MOUNTS

XTM 55 - 75" MICRO-ADJUSTABLE TILT MOUNT

FUSION® SERIES



FEATURES

- 1 CONTROLZONE™ LEVELING**
Industry-first feature allows post-installation fine tuning of height and leveling, up to 0.5" (13 mm) adjustment up or down.
- 2 CENTRIS® LOW-PROFILE TILT**
Centris fingertip tilt technology uses the center of gravity to balance the screen while maintaining a low profile under 2" (51 mm) deep! Screen angle stays set in place until readjusted.
- 3 CENTERLESS™ SHIFT**
Provides up to 23.5" (597 mm) of post-installation lateral shift - 11.75" (298 mm) left/right of uprights - for limitless centering capabilities.
- 4 CLICKCONNECT™**
Hear an audible click when the screen safely engages with the mount. A built-in cable stand provides easy access under the screen.

WHAT YOU NEED TO KNOW

MULTIPLE INSTALLATION OPTIONS

Can be installed on 24" on-centers up to 48". For 16" on-centers, span three studs.

OTHER PRODUCT OPTIONS



RXT2
FIT™ Series Low-Profile Hinge Mount
- For flat panels 40 - 63"



PPH2000
Heavy-Duty, Tilt-Adjustable Wall Mount
- For flat panels up to 250 lbs (113.4 kg)

SPECIFICATIONS

Tilt*	-12°
Depth from Wall	1.98" (50 mm)
Max Lateral Shift	23.5" (597 mm) max
Dimensions (HxWxD)	16.5 x 48.44 x 1.98" (42 x 123 x 5 cm)
Max Mounting Pattern (H,W)	25.98" (660 mm) 49.21" (1250 mm)
Color	Black
Weight Capacity	250 lbs (113 kg)

*Varies with screen height.

RECOMMENDED ACCESSORIES



FLR100 ■ Left/Right Speaker Adapter

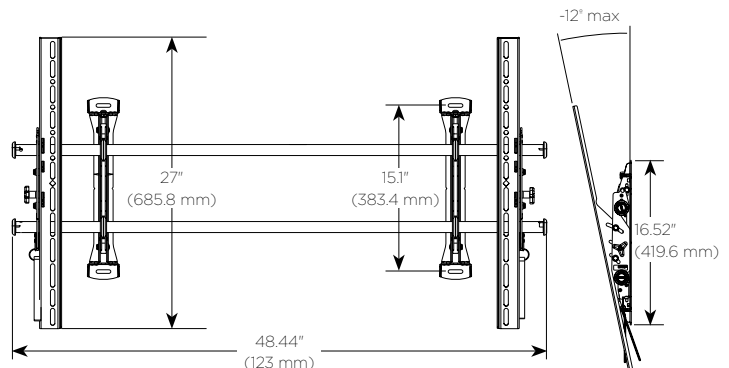


FVS250 ■ 12" (305 mm) Video Conferencing Shelf - above



FCS100 ■ Single Component Shelf - below

TECHNICAL DRAWINGS



For a complete list of FUSION accessories see pages 86 - 88.



205 Westwood Ave, Long Branch, NJ 07740
Phone: 866-94 BOARDS (26273) / (732)-222-1511
Fax: (732)-222-7088 | E-mail: sales@touchboards.com