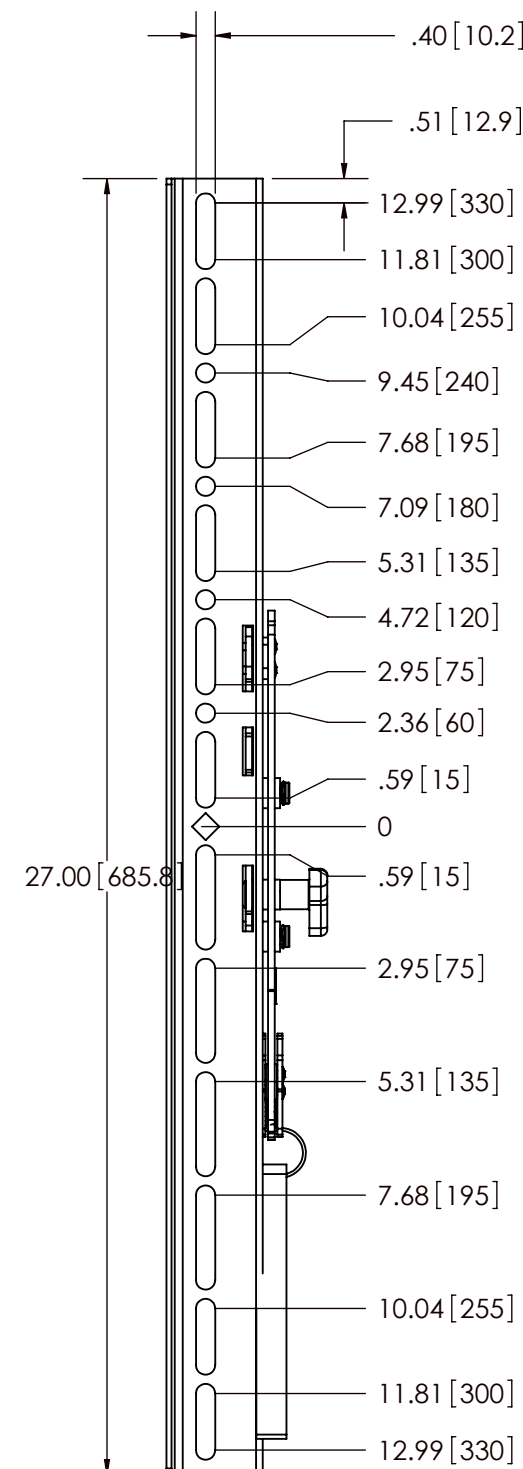
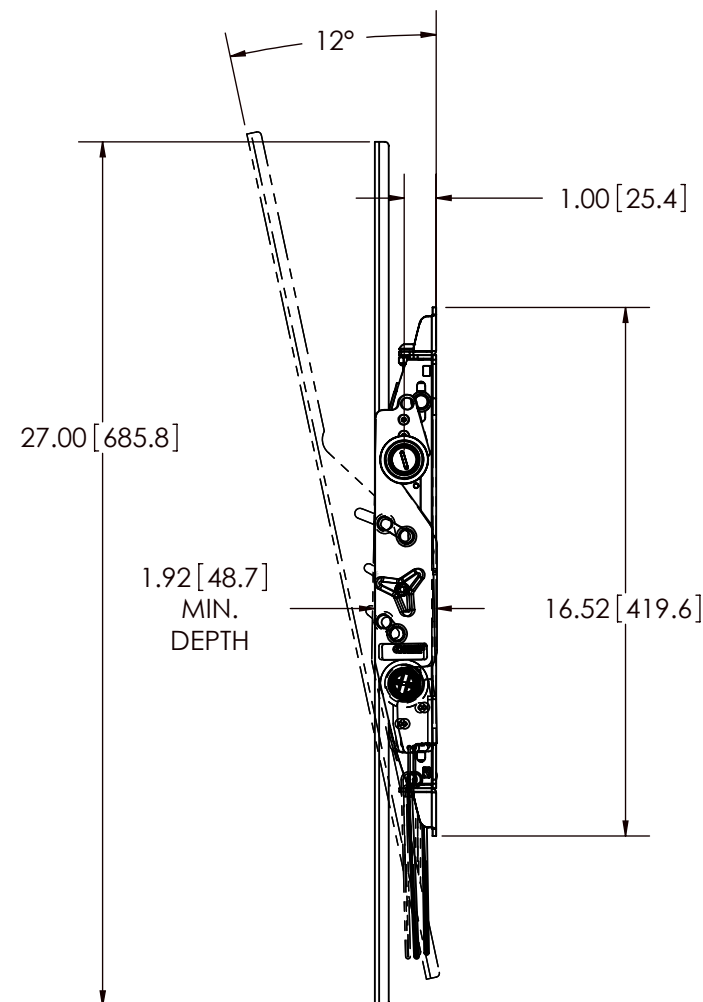
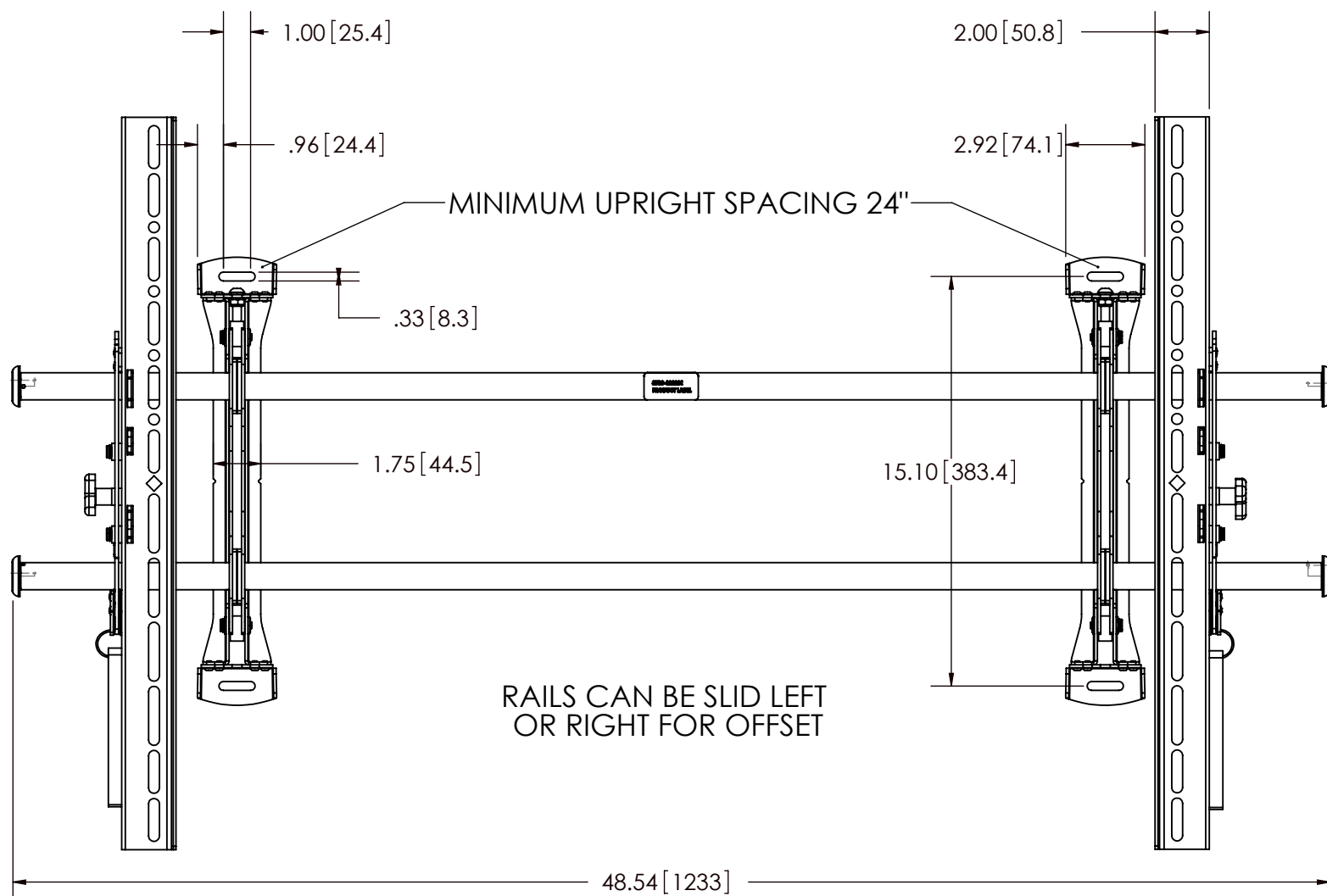
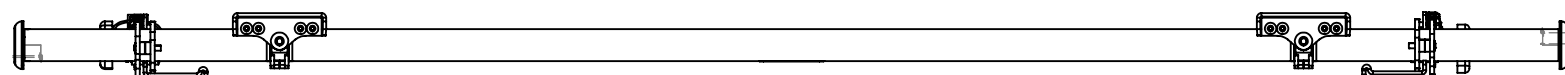


NOTES:

1. MAX MOUNTING PATTERN IS 44.7" (1135.4 mm) WITHOUT REVERSING UPRIGHTS.
2. MAX MOUNTING PATTERN IS 49.2" (1249.7 mm) WITH REVERSING UPRIGHTS.
3. FOR RECESSED APPLICATIONS, MINIMUM VERTICAL LIFT FOR HOOK ENGAGEMENT IS .41"[10.4mm].
4. MOUNT IS 1.92"[48.7mm] DEEP WHEN FLAT TO WALL.



205 Westwood Ave, Long Branch, NJ 07740  
 Phone: 866-94 BOARDS (26273) / (732)-222-1511  
 Fax: (732)-222-7088 | E-mail: sales@touchboards.com



CHIEF MANUFACTURING INC.  
 PRODUCT ORDER NUMBER IS: XTMU AND XTMXXXX  
 PHONE: 1-800-582-6480

SHEET SCALE = 1:6

THE INFORMATION AND DESIGNS CONTAINED IN THIS DRAWING ARE CONFIDENTIAL AND THE PROPRIETARY PROPERTY OF MILESTONE AV TECHNOLOGIES NEITHER THIS DESIGN NOR ANY INFORMATION CONTAINED IN THIS DRAWING MAY BE REPRODUCED OR DISCLOSED TO OTHERS WITHOUT THE EXPRESS WRITTEN CONSENT OF MILESTONE AV TECHNOLOGIES.



TITLE  
**CUSTOMER PRINT  
 XTMU AND XTMXXXX**

SIZE DWG. NO.  
**B XTMU AND XTMXXXX**

8401 EAGLE CREEK PKY  
 SUITE #700  
 SAVAGE, MN 55378  
 PHONE: 952-894-6280  
 FAX: 877-894-6918

XTMU AND XTMXXXX