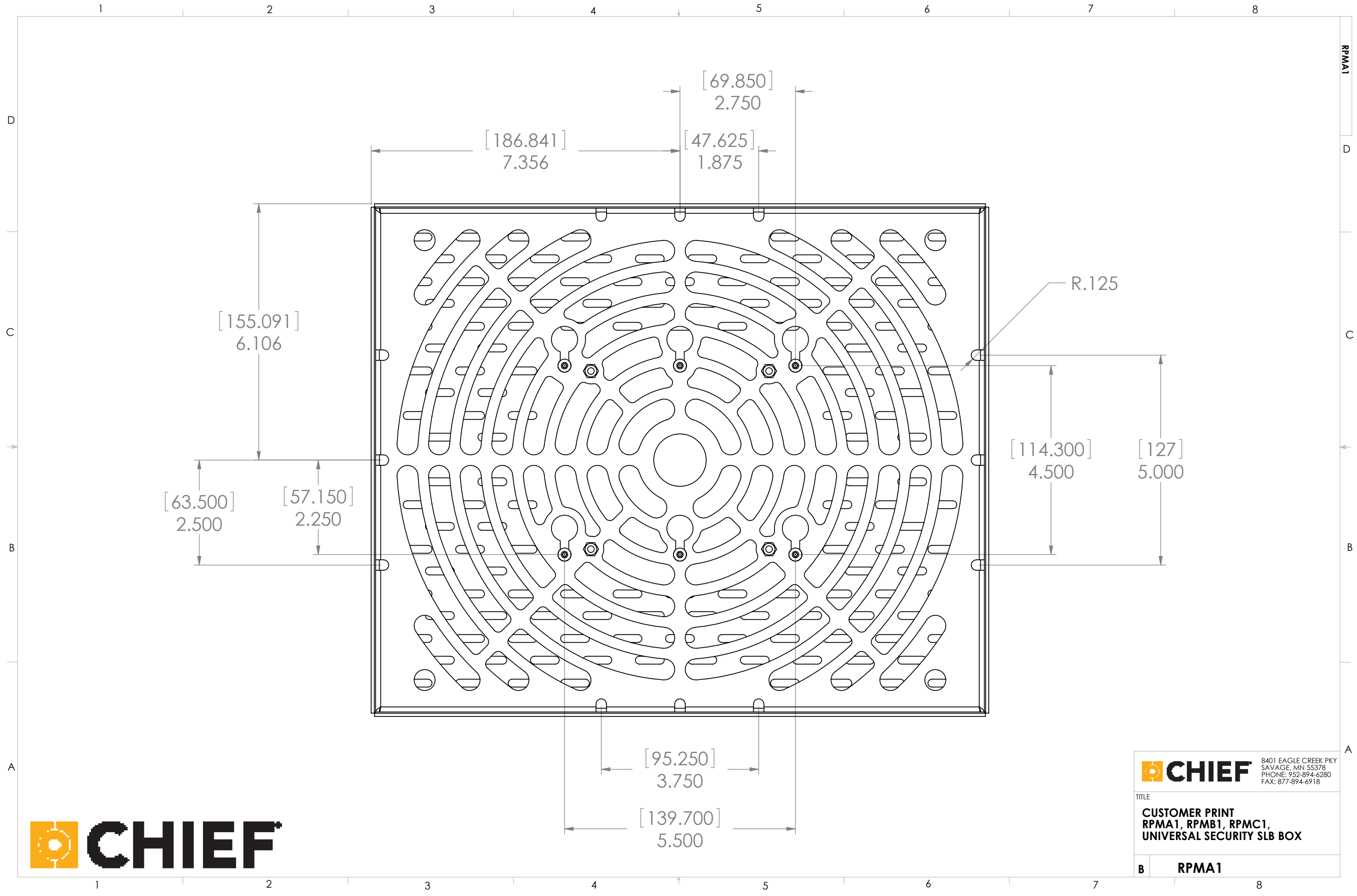


CHIEF MANUFACTURING INC.
MOUNT ORDER NUMBER IS RPMA1, RPMB1, RPMC1
PHONE: 1-800-582-6480

THE INFORMATION AND DESIGNS CONTAINED IN THIS DRAWING ARE CONFIDENTIAL AND THE PROPRIETARY PROPERTY OF CHIEF MFG., INC. NEITHER THIS DESIGN NOR ANY INFORMATION CONTAINED IN THIS DRAWING MAY BE REPRODUCED OR DISCLOSED TO OTHERS WITHOUT THE EXPRESS WRITTEN CONSENT OF CHIEF MFG., INC.

	8401 EAGLE CREEK PKY SAVAGE, MN 55378 PHONE: 952-894-6280 FAX: 877-894-6918
	TITLE CUSTOMER PRINT RPMA1, RPMB1, RPMC1, UNIVERSAL SECURITY SLB BOX
SIZE B	DWG. NO. RPMA1



CHIEF 8401 EAGLE CREEK PKY
SAVAGE, MN 55378
PHONE: 952-894-6280
FAX: 877-894-6918

TITLE
**CUSTOMER PRINT
RPMA1, RPMB1, RPMC1,
UNIVERSAL SECURITY SLB BOX**

B **RPMA1**