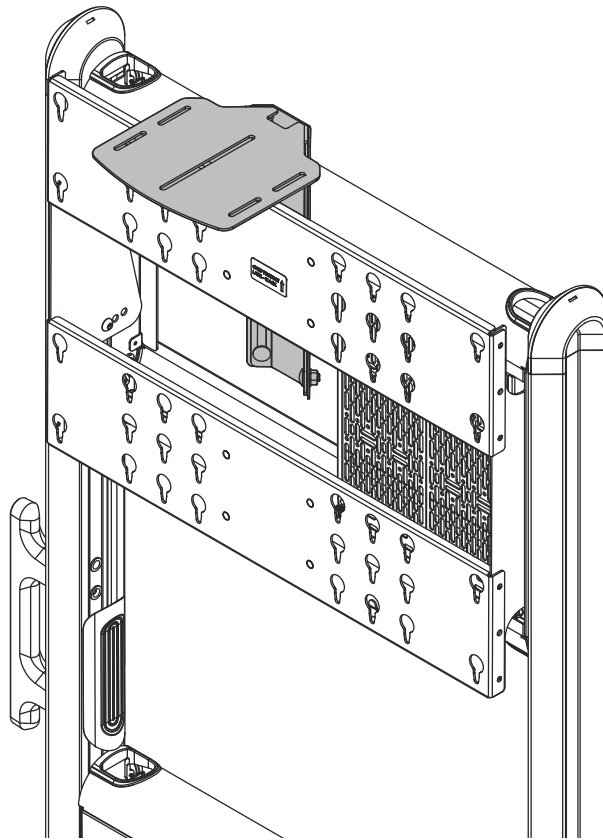

INSTALLATION INSTRUCTIONS



Designer Cart Camera Shelf

 **CHIEF**[®]

A brand of  **legrand**[®]

SCAC

DISCLAIMER

Legrand | AV and its affiliated corporations and subsidiaries (collectively “Legrand | AV”), intend to make this manual accurate and complete. However, Legrand | AV makes no claim that the information contained herein covers all details, conditions or variations, nor does it provide for every possible contingency in connection with the installation or use of this product. The information contained in this document is subject to change without notice or obligation of any kind. Legrand | AV makes no representation of warranty, expressed or implied, regarding the information contained herein. Legrand | AV assumes no responsibility for accuracy, completeness or sufficiency of the information contained in this document.

Chief® is a registered trademark of Legrand AV Inc.

DEFINITIONS

MOUNTING SYSTEM: A MOUNTING SYSTEM is the primary Chief product to which an accessory and/or component is attached.

ACCESSORY: AN ACCESSORY is the secondary Chief product which is attached to a primary Chief product, and may have a component attached or setting on it.

COMPONENT: A COMPONENT is an audiovisual item designed to be attached or resting on an accessory or mounting system such as a video camera, CPU, screen, display, projector, etc.

WARNING: A WARNING alerts you to the possibility of serious injury or death if you do not follow the instructions.

CAUTION: A CAUTION alerts you to the possibility of damage or destruction of equipment if you do not follow the corresponding instructions.

! IMPORTANT SAFETY INSTRUCTIONS

WARNING: Failure to read, thoroughly understand, and follow all instructions can result in serious personal injury, damage to equipment, or voiding of factory warranty! It is the installer’s responsibility to make sure all accessories are properly assembled and installed using the instructions provided.

WARNING: Exceeding the weight capacity can result in serious personal injury or damage to equipment! It is the installer’s responsibility to make sure the combined weight of all components attached to the SCAC accessory does not exceed 10 lbs (4.5 kg).

WARNING: Use this accessory only for its intended use as described in these instructions. Do not use attachments not recommended by the manufacturer.

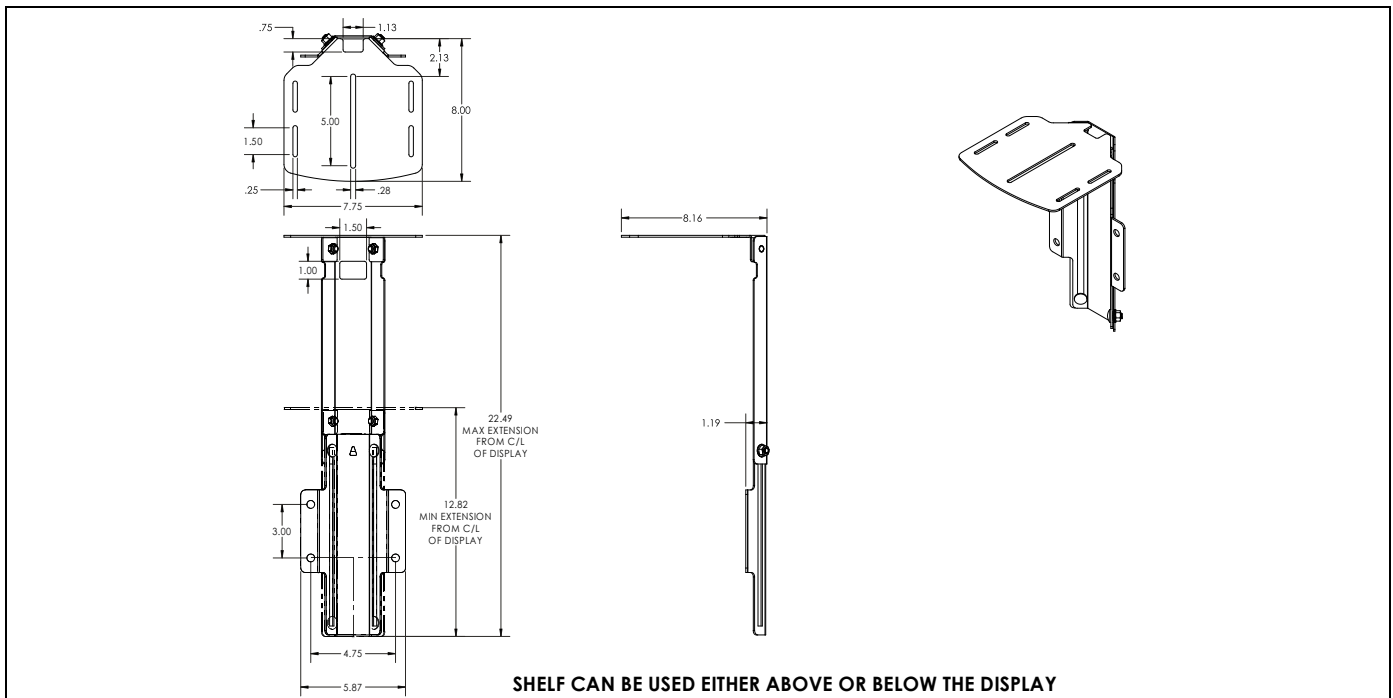
WARNING: Never operate this accessory if it is damaged. Return the accessory to a service center for examination and repair.

WARNING: Do not use this accessory outdoors.

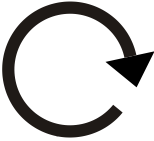

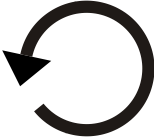









WARNING: RISK OF INJURY TO PERSONS! Do not use this mounting system / accessory to support video equipment such as televisions or computer monitors.

--SAVE THESE INSTRUCTIONS--

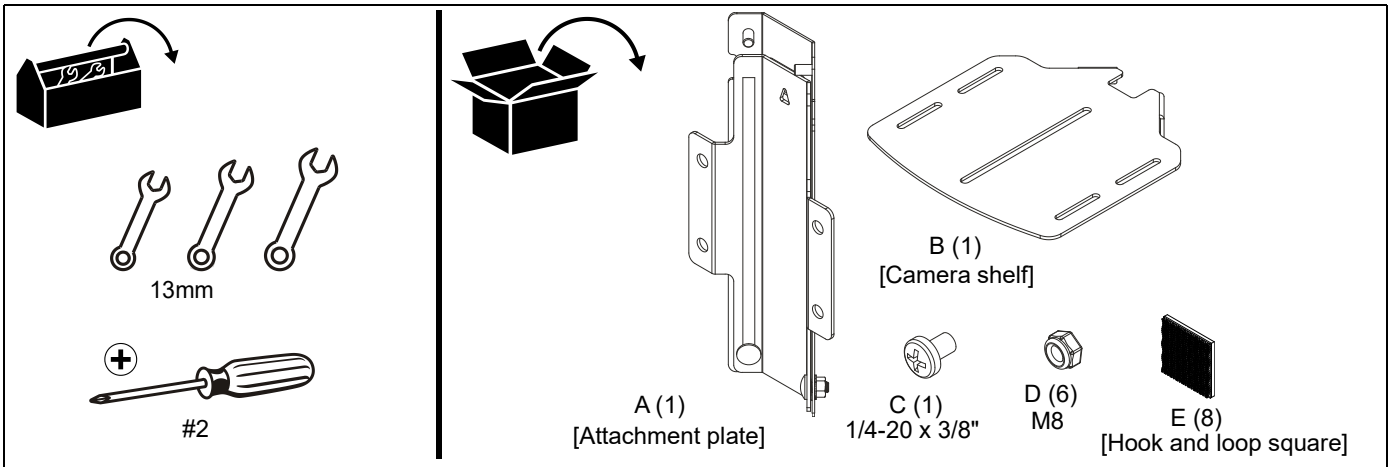
Dimensions



LEGEND

| | | | |
|---|--|--|--|
|  | <p>Tighten Fastener</p> <p>Apretar elemento de fijación</p> <p>Befestigungsteil festziehen</p> <p>Apertar fixador</p> <p>Serrare il fissaggio</p> <p>Bevestiging vastdraaien</p> <p>Serrez les fixations</p> |  | <p>Pencil Mark</p> <p>Marcar con lápiz</p> <p>Stiftmarkierung</p> <p>Marcar com lápis</p> <p>Segno a matita</p> <p>Potloodmerkten</p> <p>Marquage au crayon</p> |
|  | <p>Loosen Fastener</p> <p>Aflojar elemento de fijación</p> <p>Befestigungsteil lösen</p> <p>Desapertar fixador</p> <p>Allentare il fissaggio</p> <p>Bevestiging losdraaien</p> <p>Desserrez les fixations</p> |  | <p>Drill Hole</p> <p>Perforar</p> <p>Bohrloch</p> <p>Fazer furo</p> <p>Praticare un foro</p> <p>Gat boren</p> <p>Percez un trou</p> |
|  | <p>Phillips Screwdriver</p> <p>Destornillador Phillips</p> <p>Kreuzschlitzschraubendreher</p> <p>Chave de fendas Phillips</p> <p>Cacciavite a stella</p> <p>Kruiskopschroevendraaier</p> <p>Tournevis à pointe cruciforme</p> |  | <p>Adjust</p> <p>Ajustar</p> <p>Einstellen</p> <p>Ajustar</p> <p>Regolare</p> <p>Afstellen</p> <p>Ajuster</p> |
|  | <p>Open-Ended Wrench</p> <p>Llave de boca</p> <p>Gabelschlüssel</p> <p>Chave de bocas</p> <p>Chiave a punte aperte</p> <p>Steeksleutel</p> <p>Clé à fourche</p> |  | <p>Remove</p> <p>Quitar</p> <p>Entfernen</p> <p>Remover</p> <p>Rimuovere</p> <p>Verwijderen</p> <p>Retirez</p> |
|  | <p>By Hand</p> <p>A mano</p> <p>Von Hand</p> <p>Com a mão</p> <p>A mano</p> <p>Met de hand</p> <p>À la main</p> |  | <p>Optional</p> <p>Opcional</p> <p>Optional</p> <p>Opcional</p> <p>Opzionale</p> <p>Optie</p> <p>En option</p> |
|  | <p>Hex-Head Wrench</p> <p>Llave de cabeza hexagonal</p> <p>Sechskantschlüssel</p> <p>Chave de cabeça sextavada</p> <p>Chiave esagonale</p> <p>Zeskantsleutel</p> <p>Clé à tête hexagonale</p> |  | <p>Security Wrench</p> <p>Llave de seguridad</p> <p>Sicherheitsschlüssel</p> <p>Chave de segurança</p> <p>Chiave di sicurezza</p> <p>Veiligheidsleutel</p> <p>Clé de sécurité</p> |

TOOLS/PARTS REQUIRED FOR INSTALLATION



Assembly And Installation

Shelf Assembly

1. Use two M8 hex nuts (D) to secure camera shelf (B) to attachment plate (A). (See Figure 1)

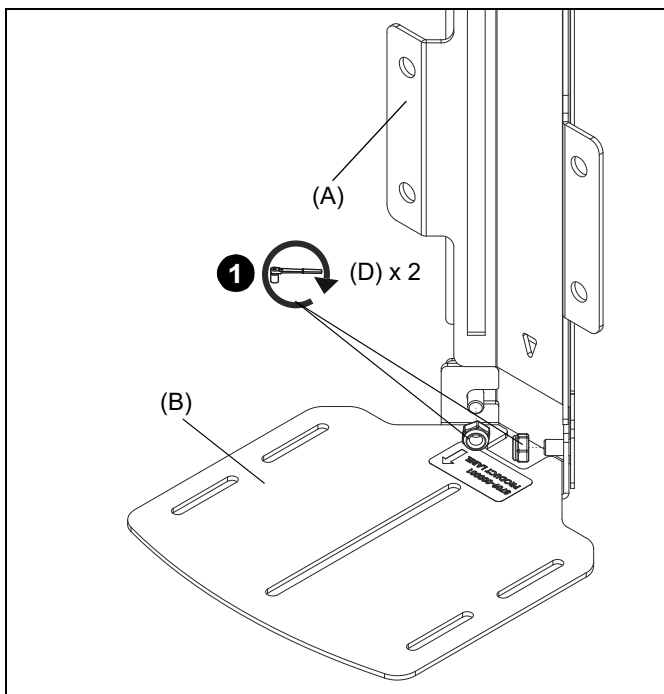


Figure 1

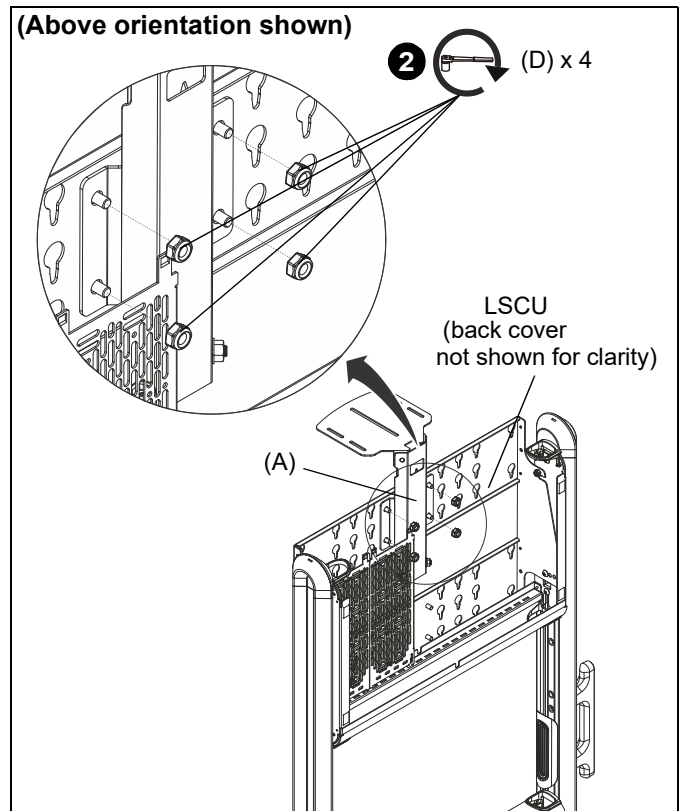


Figure 2

Attaching Shelf to Cart

1. Use four M8 hex nuts (D) to secure attachment plate (A) to designer cart. (See Figure 2)

NOTE: SCAC shelf may be installed in an above or below orientation.

Height Adjustment

1. Loosen two hex nuts that attach two brackets of attachment plate (B) to each other. (See Figure 3)
2. Adjust shelf height as desired. (See Figure 3)

NOTE: For all above display installations, it is recommended that the shelf be positioned so that it rests on top of display to help ensure an even mount.

3. Tighten two hex nuts that were loosened in Step 1. (See Figure 3)

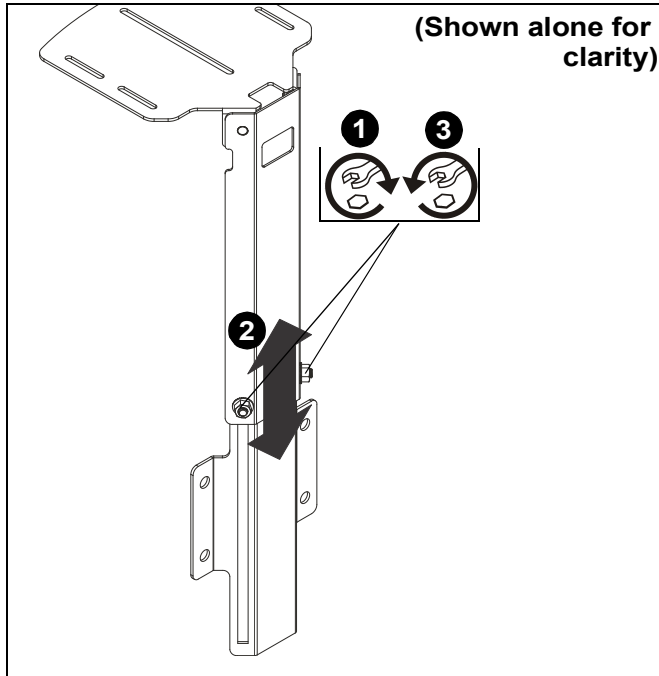


Figure 3

Installing Camera (not included)

⚠ WARNING: Exceeding the weight capacity can result in serious personal injury or damage to equipment! It is the installer's responsibility to make sure the combined weight of all components attached to the SCAC accessory does not exceed 10 lbs (4.5 kg).

⚠ WARNING: Camera must be secured to SCAC shelf using either adhesive hook and loop squares (E) or screw (C)! Failure to securely mount camera to shelf may result in serious personal injury or damage to equipment!

NOTE: OPTIONAL: Slots are provided in shelf for strap (not included) to hold camera in place. (See Figure 4)

Using Adhesive Squares

1. Use up to eight adhesive hook and loop squares (E) to secure camera to shelf. Attach adhesive squares to bottom of camera first and then attach corresponding squares to shelf when the exact mounting location has been determined.

Using Screw(s)

NOTE: Screw mounting options will vary based upon camera model.

2. Install 1/4-20 x 3/8" Phillips pan machine screw (C) through mounting slot on shelf and into hole on bottom of camera. (See Figure 4)
3. Route cable from camera towards back of shelf and down behind the SCAC. (See Figure 4)

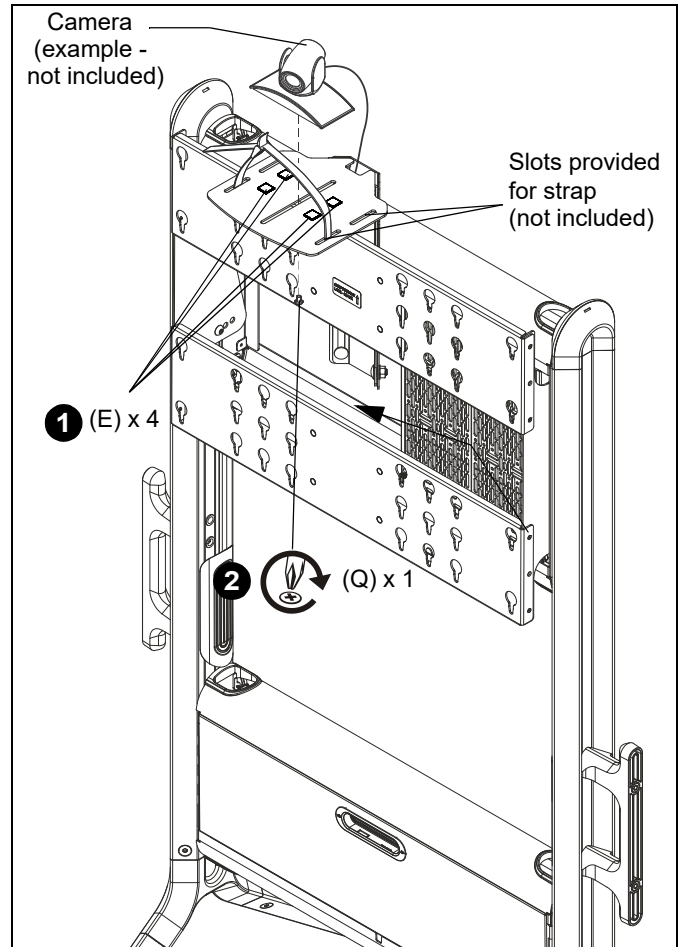


Figure 4



A brand of  **legrand**

8800-003309 Rev00
©2022 Legrand | AV
www.legrandav.com
07/2022

| | |
|--------------------------|--|
| USA/International | A 6436 City West Parkway, Eden Prairie, MN 55344 P 800.582.6480 / 952.225.6000 F 877.894.6918 / 952.894.6918 |
| Europe | A Franklinstraat 14, 6003 DK Weert, Netherlands P +31 (0) 495 580 852 F +31 (0) 495 580 845 |
| Asia Pacific | A Office No. 918 on 9/F, Shatin Galleria 18-24 Shan Mei Street Fotan, Shatin, Hong Kong P 852 2145 4099 F 852 2145 4477 |

