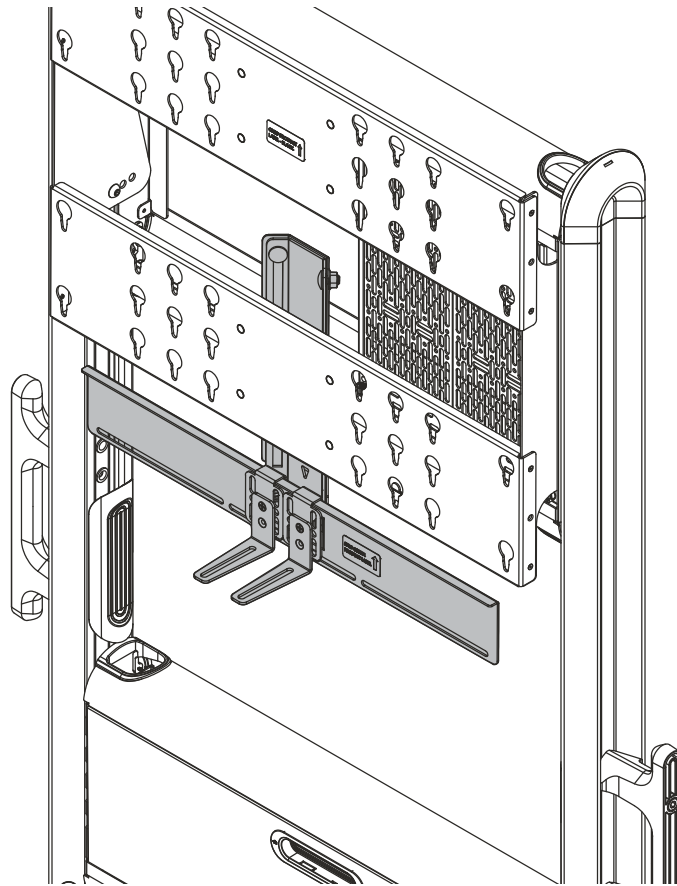


---

# INSTALLATION INSTRUCTIONS

---



---

## Designer Cart Soundbar Shelf

---

---

 **CHIEF**<sup>®</sup>

A brand of  **legrand**<sup>®</sup>

**SCAS**

---

## DISCLAIMER

Legrand | AV and its affiliated corporations and subsidiaries (collectively "Legrand | AV"), intend to make this manual accurate and complete. However, Legrand | AV makes no claim that the information contained herein covers all details, conditions or variations, nor does it provide for every possible contingency in connection with the installation or use of this product. The information contained in this document is subject to change without notice or obligation of any kind. Legrand | AV makes no representation of warranty, expressed or implied, regarding the information contained herein. Legrand | AV assumes no responsibility for accuracy, completeness or sufficiency of the information contained in this document.

Chief® is a registered trademark of Legrand AV Inc.

## DEFINITIONS

**MOUNTING SYSTEM:** A MOUNTING SYSTEM is the primary Chief product to which an accessory and/or component is attached.

**ACCESSORY:** AN ACCESSORY is the secondary Chief product which is attached to a primary Chief product, and may have a component attached or setting on it.

**COMPONENT:** A COMPONENT is an audiovisual item designed to be attached or resting on an accessory or mounting system such as a video camera, CPU, screen, display, projector, etc.



**WARNING:** A WARNING alerts you to the possibility of serious injury or death if you do not follow the instructions.



**CAUTION:** A CAUTION alerts you to the possibility of damage or destruction of equipment if you do not follow the corresponding instructions.



## IMPORTANT SAFETY INSTRUCTIONS



**WARNING:** Failure to read, thoroughly understand, and follow all instructions can result in serious personal injury, damage to equipment, or voiding of factory warranty! It is the installer's responsibility to make sure all accessories are properly assembled and installed using the instructions provided.



**WARNING:** Exceeding the weight capacity can result in serious personal injury or damage to equipment! It is the installer's responsibility to make sure the combined weight of all components attached to the SCAS accessory does not exceed 15 lbs (6.8 kg).



**WARNING:** Use this accessory only for its intended use as described in these instructions. Do not use attachments not recommended by the manufacturer.



**WARNING:** Never operate this accessory if it is damaged. Return the accessory to a service center for examination and repair.



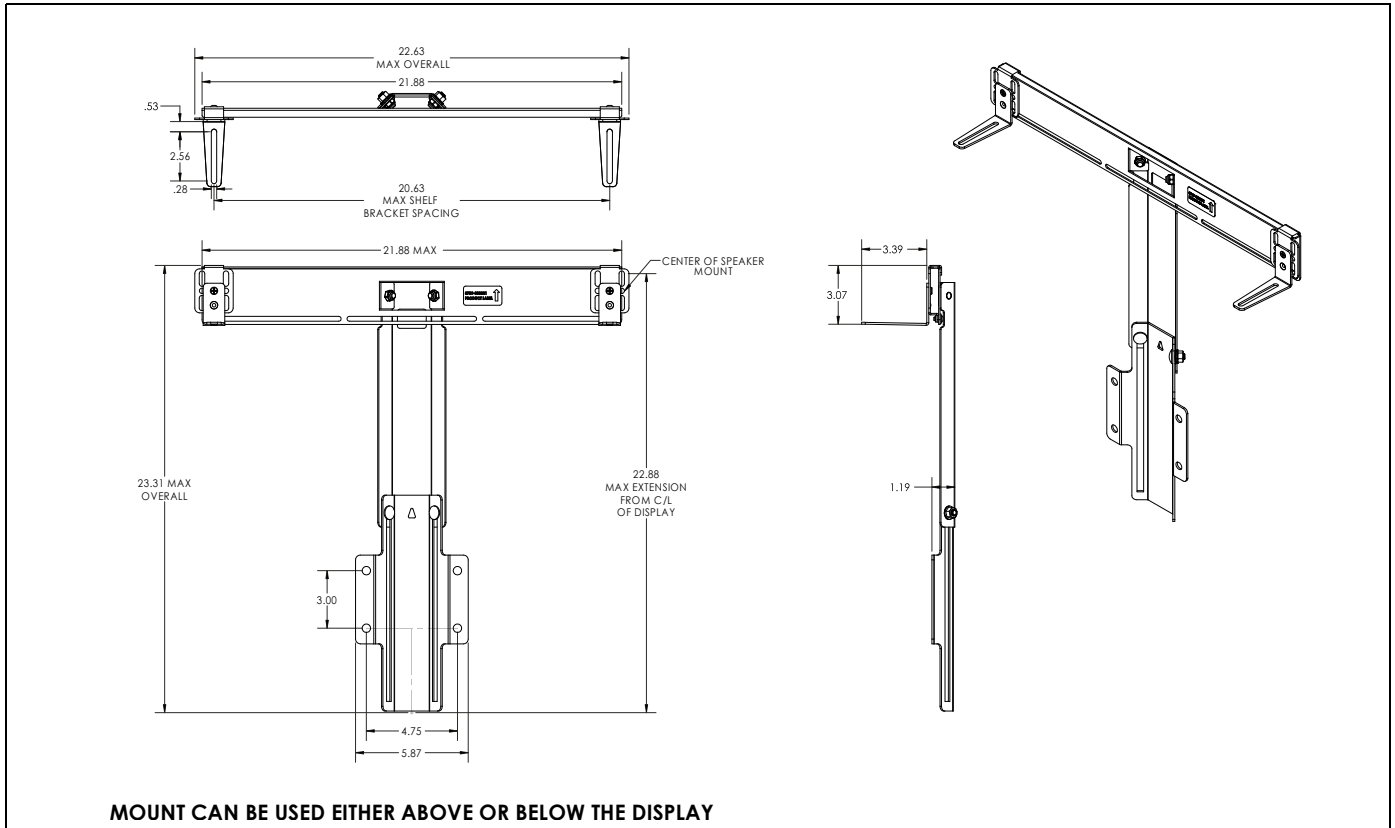
**WARNING:** Do not use this accessory outdoors.



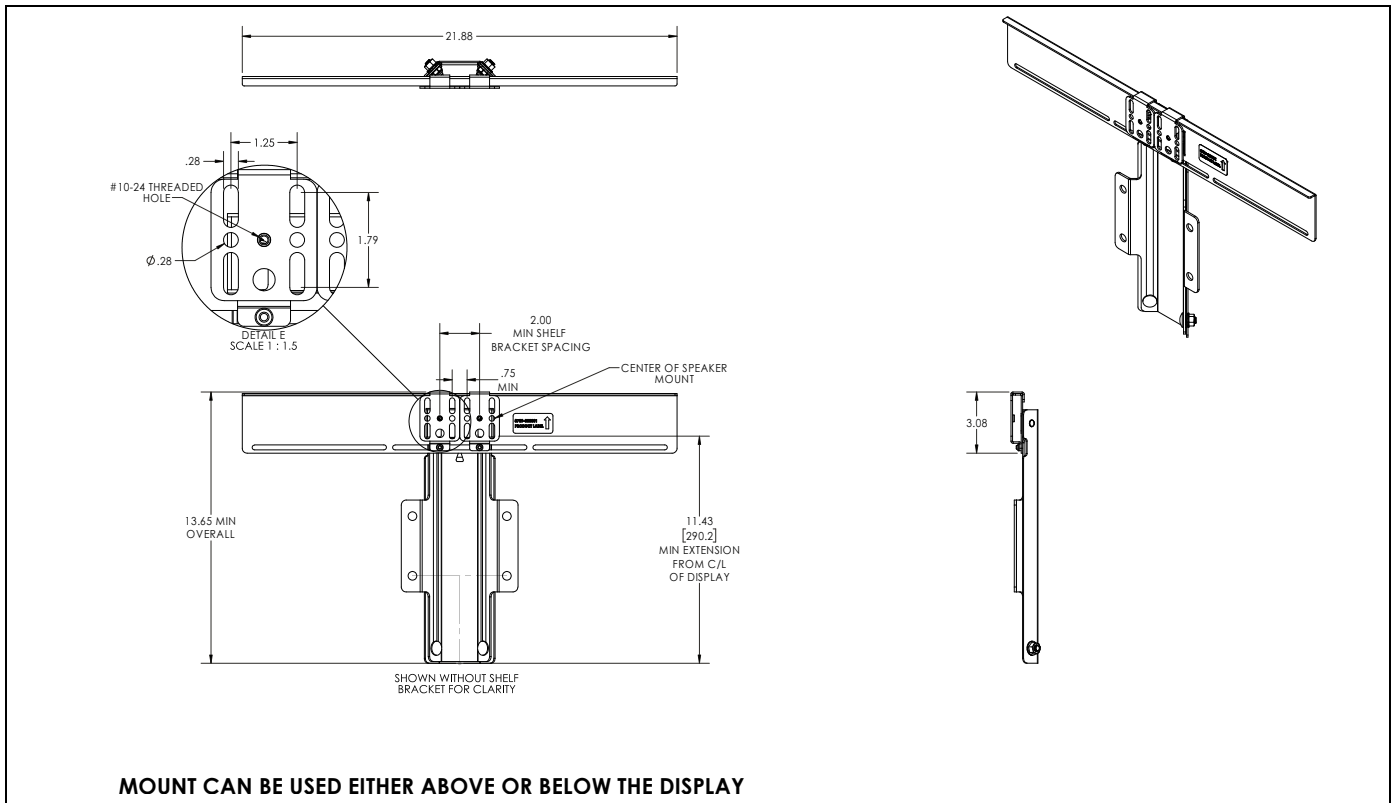
**WARNING:** RISK OF INJURY TO PERSONS! Do not use this mounting system / accessory to support video equipment such as televisions or computer monitors.

**--SAVE THESE INSTRUCTIONS--**

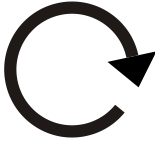

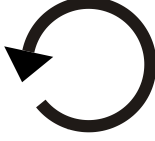


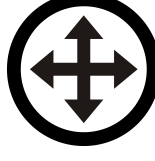






### Dimensions-Above Orientation



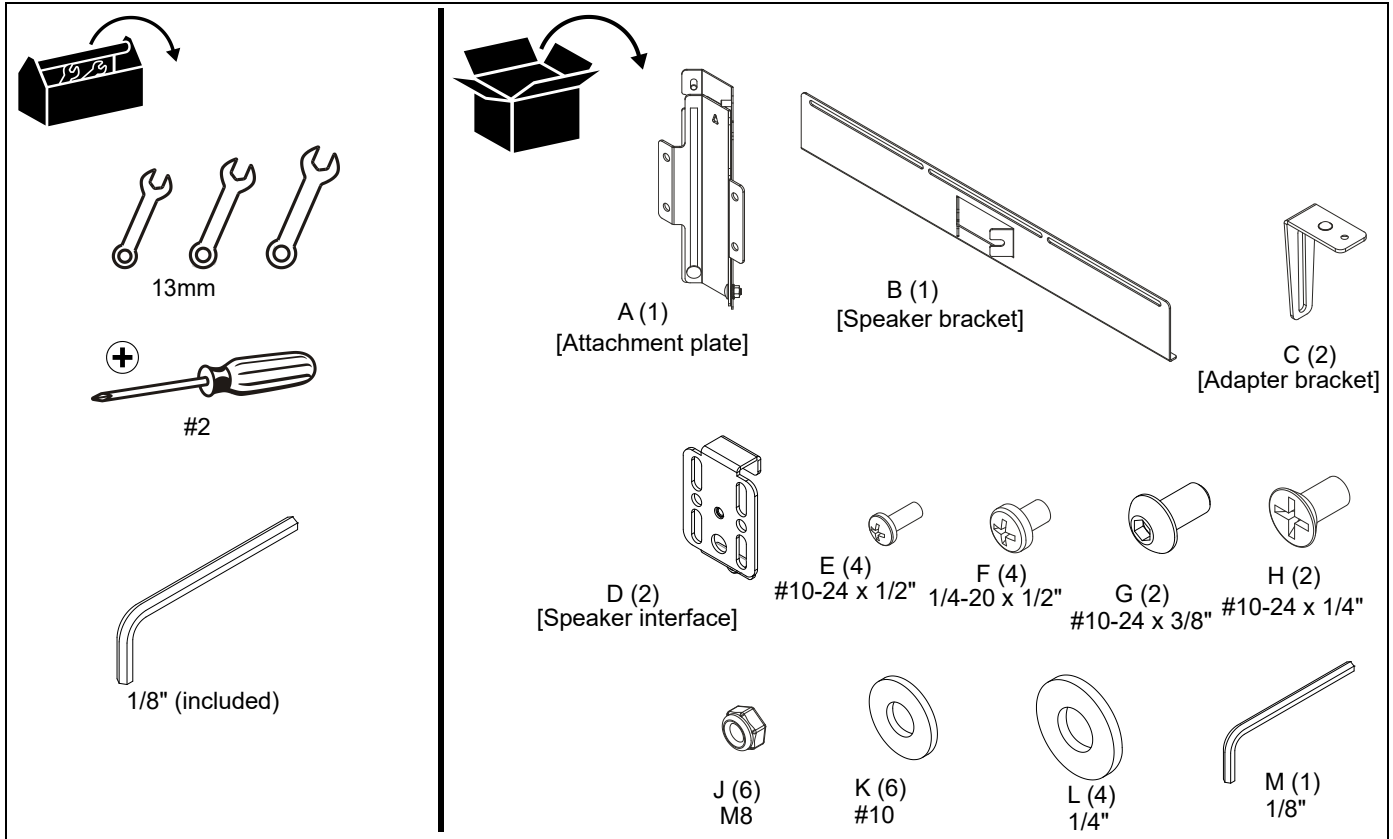
### Dimensions-Below Orientation



## LEGEND

	<b>Tighten Fastener</b> Apretar elemento de fijación Befestigungsteil festziehen Apertar fixador Serrare il fissaggio Bevestiging vastdraaien Serrez les fixations		<b>Pencil Mark</b> Marcar con lápiz Stiftmarkierung Marcar com lápis Segno a matita Potloodmerkteken Marquage au crayon
	<b>Loosen Fastener</b> Aflojar elemento de fijación Befestigungsteil lösen Desapertar fixador Allentare il fissaggio Bevestiging losdraaien Desserrez les fixations		<b>Drill Hole</b> Perforar Bohrloch Fazer furo Praticare un foro Gat boren Percez un trou
	<b>Phillips Screwdriver</b> Destornillador Phillips Kreuzschlitzschraubendreher Chave de fendas Phillips Cacciavite a stella Kruiskopschroevendraaier Tournevis à pointe cruciforme		<b>Adjust</b> Ajustar Einstellen Ajustar Regolare Afstellen Ajuster
	<b>Open-Ended Wrench</b> Llave de boca Gabelschlüssel Chave de bocas Chiave a punte aperte Steeksleutel Clé à fourche		<b>Remove</b> Quitar Entfernen Remover Rimuovere Verwijderen Retirez
	<b>By Hand</b> A mano Von Hand Com a mão A mano Met de hand À la main		<b>Optional</b> Opcional Optional Opcional Opzionale Optie En option
	<b>Hex-Head Wrench</b> Llave de cabeza hexagonal Sechskantschlüssel Chave de cabeça sextavada Chiave esagonale Zeskantsleutel Clé à tête hexagonale		<b>Security Wrench</b> Llave de seguridad Sicherheitsschlüssel Chave de segurança Chiave di sicurezza Veiligheidssleutel Clé de sécurité

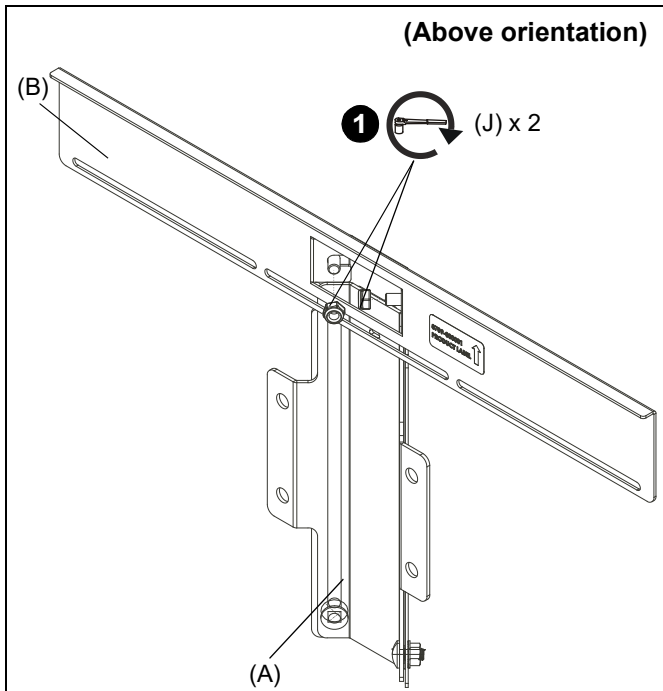
**TOOLS/PARTS REQUIRED FOR INSTALLATION**



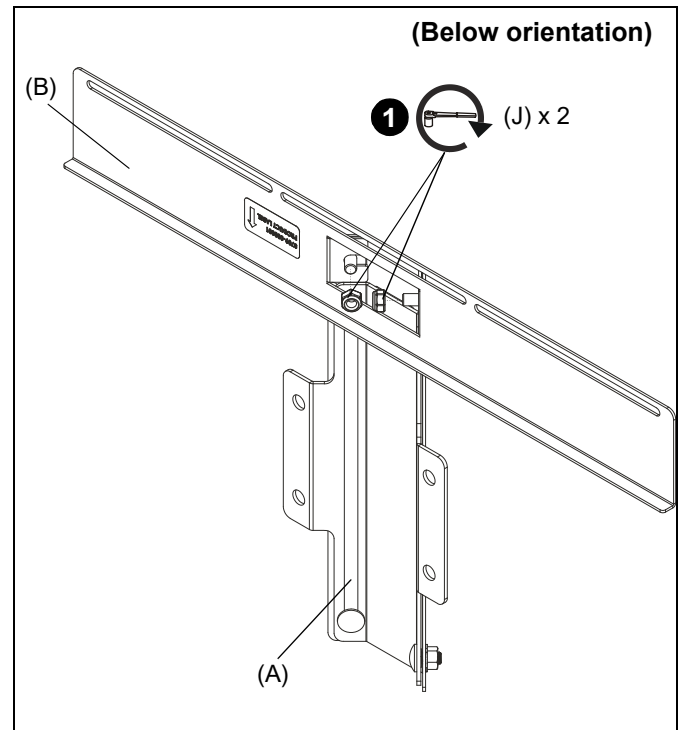
**Assembly And Installation**

**Shelf Assembly**

1. Use two M8 hex nuts (J) to secure speaker bracket (B) to attachment plate (A). (See Figure 1) or (See Figure 2)



**Figure 1**



**Figure 2**

### Attaching Shelf to Cart

1. Use four M8 hex nuts (D) to secure attachment plate (A) to designer cart. (See Figure 3)

**NOTE:** SCAC shelf may be installed in an above or below orientation.

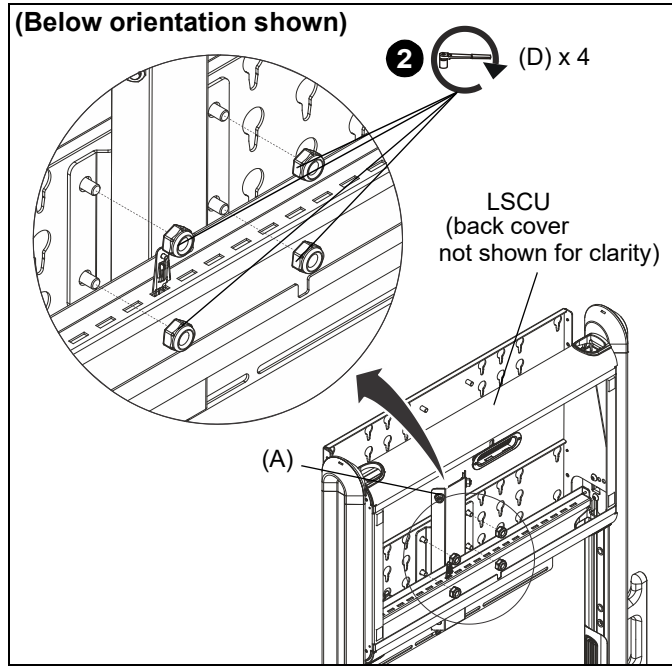


Figure 3

### Height Adjustment

1. Loosen two hex nuts that attach two brackets of attachment plate (B) to each other. (See Figure 4)
2. Adjust shelf height as desired. (See Figure 4)

**NOTE:** For all above display installations, it is recommended that the shelf be positioned so that it rests on top of display to help ensure an even mount.

3. Tighten two hex nuts that were loosened in Step 1. (See Figure 4)

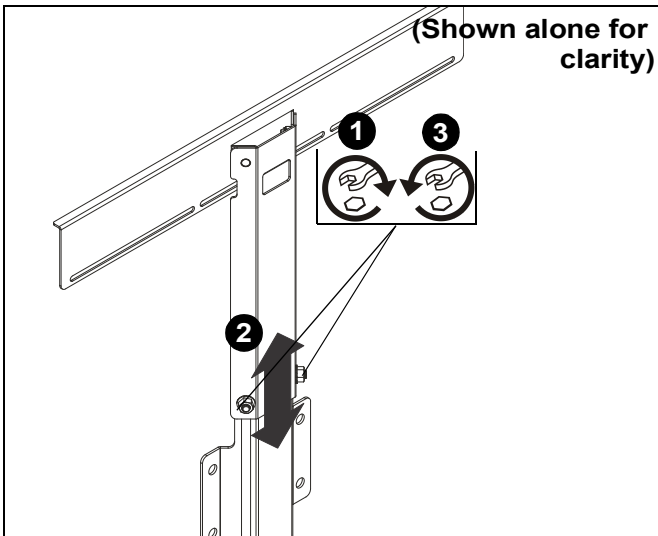


Figure 4

### Installing Soundbar (not included)



**WARNING:** Exceeding the weight capacity can result in serious personal injury or damage to equipment! It is the installer's responsibility to make sure the combined weight of all components attached to the SCAS accessory does not exceed 15 lbs (6.8 kg).

1. Attach soundbar to speaker interfaces (D) using #10-24 x 1/2" Phillips pan machine screws (E) or 1/4-20 x 1/2" Phillips pan machine screws (F) or hardware supplied with soundbar.

**NOTE:** If soundbar mounting holes are on bottom of soundbar, attach soundbar to adapter brackets (C).

2. (If adapter brackets are required) Use two #10-24 x 1/4" flat head Phillips screws (H) to secure adapter brackets (C) to speaker interfaces (D). (See Figure 5)

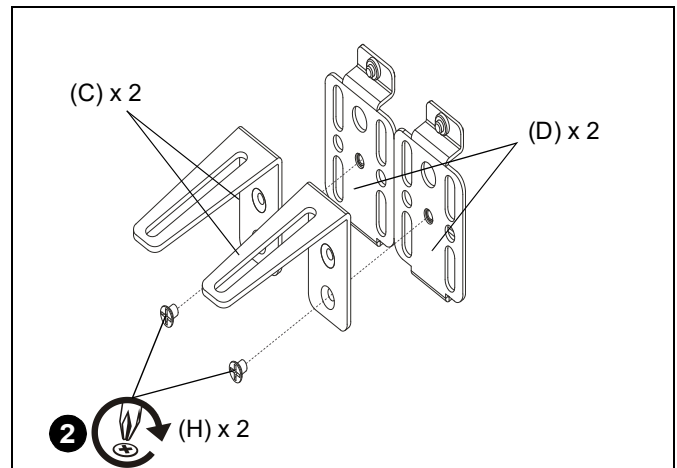


Figure 5

3. (If adapter brackets are required) Attach soundbar to adapter brackets (C) using #10-24 x 1/2" Phillips pan machine screws (E) or 1/4-20 x 1/2" Phillips pan machine screws (F) or hardware supplied with soundbar.

- Place two speaker interfaces (D) onto speaker bracket.  
(See Figure 6)

**NOTE:** Speaker interfaces (D) may be installed anywhere horizontally along speaker bracket (B) depending on soundbar.

- Use two #10-24 x 3/8" button head cap screws (G) and two #10 washers (K) to secure two speaker interfaces (D) to speaker bracket (B). (See Figure 6)

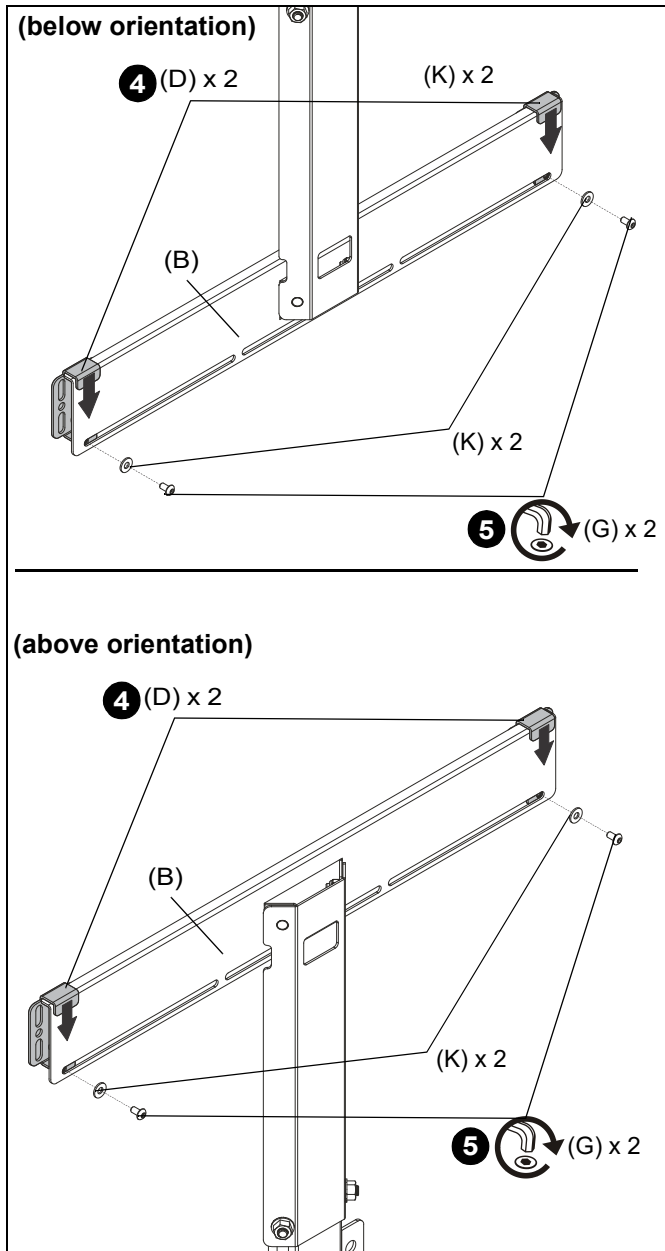


Figure 6



A brand of  **legrand**

8800-003310 Rev00  
©2022 Legrand | AV  
[www.legrandav.com](http://www.legrandav.com)  
07/2022

<b>USA/International</b>	<b>A</b> 6436 City West Parkway, Eden Prairie, MN 55344 <b>P</b> 800.582.6480 / 952.225.6000 <b>F</b> 877.894.6918 / 952.894.6918
<b>Europe</b>	<b>A</b> Franklinstraat 14, 6003 DK Weert, Netherlands <b>P</b> +31 (0) 495 580 852 <b>F</b> +31 (0) 495 580 845
<b>Asia Pacific</b>	<b>A</b> Office No. 918 on 9/F, Shatin Galleria 18-24 Shan Mei Street Fotan, Shatin, Hong Kong <b>P</b> 852 2145 4099 <b>F</b> 852 2145 4477

