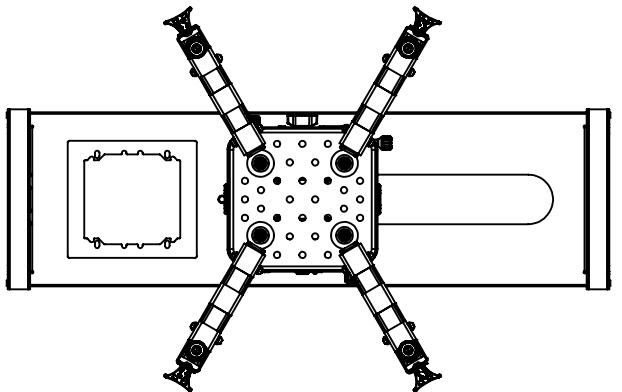
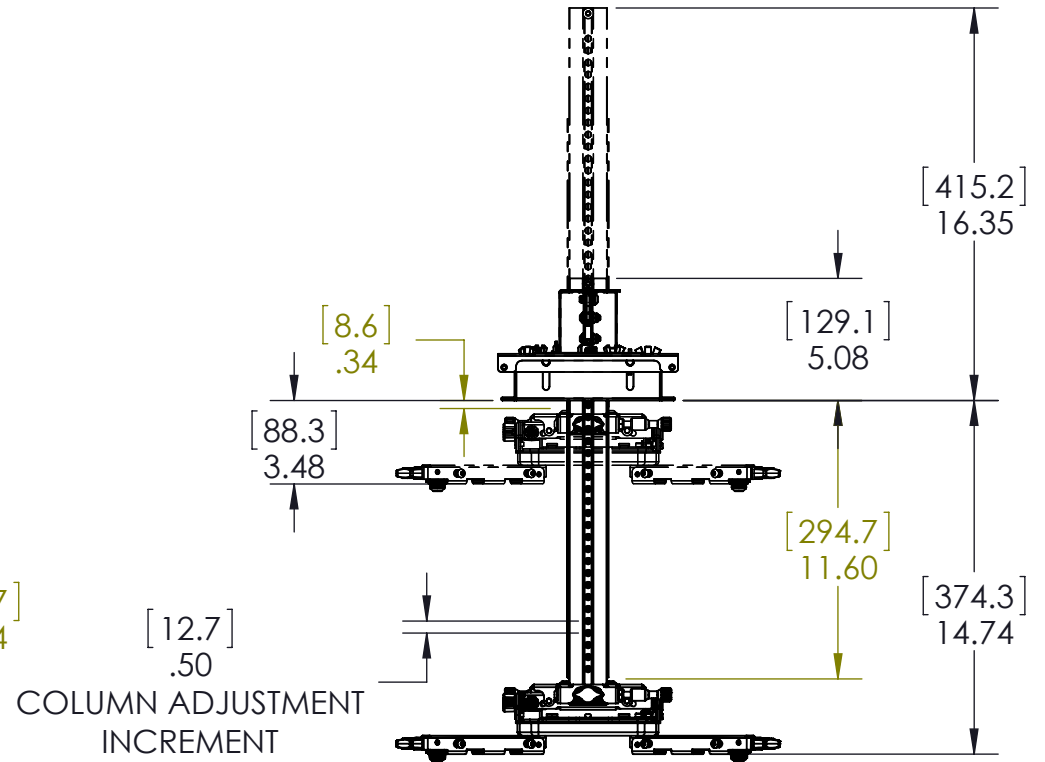
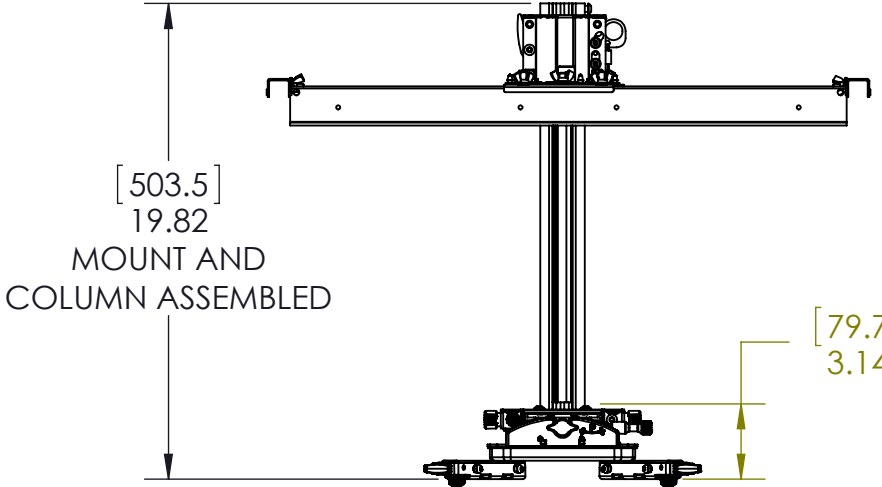
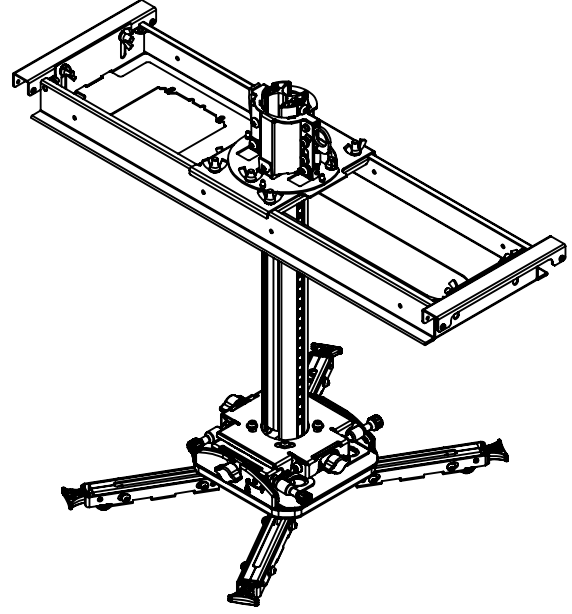
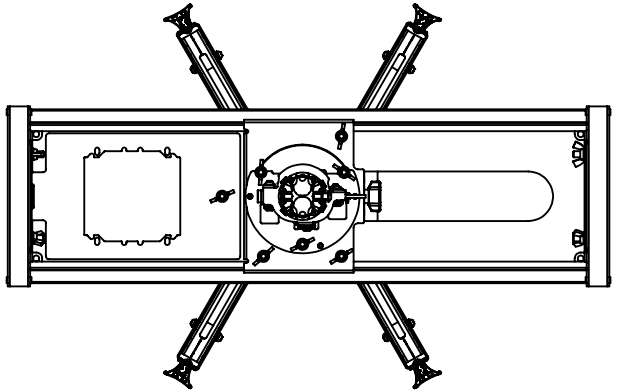




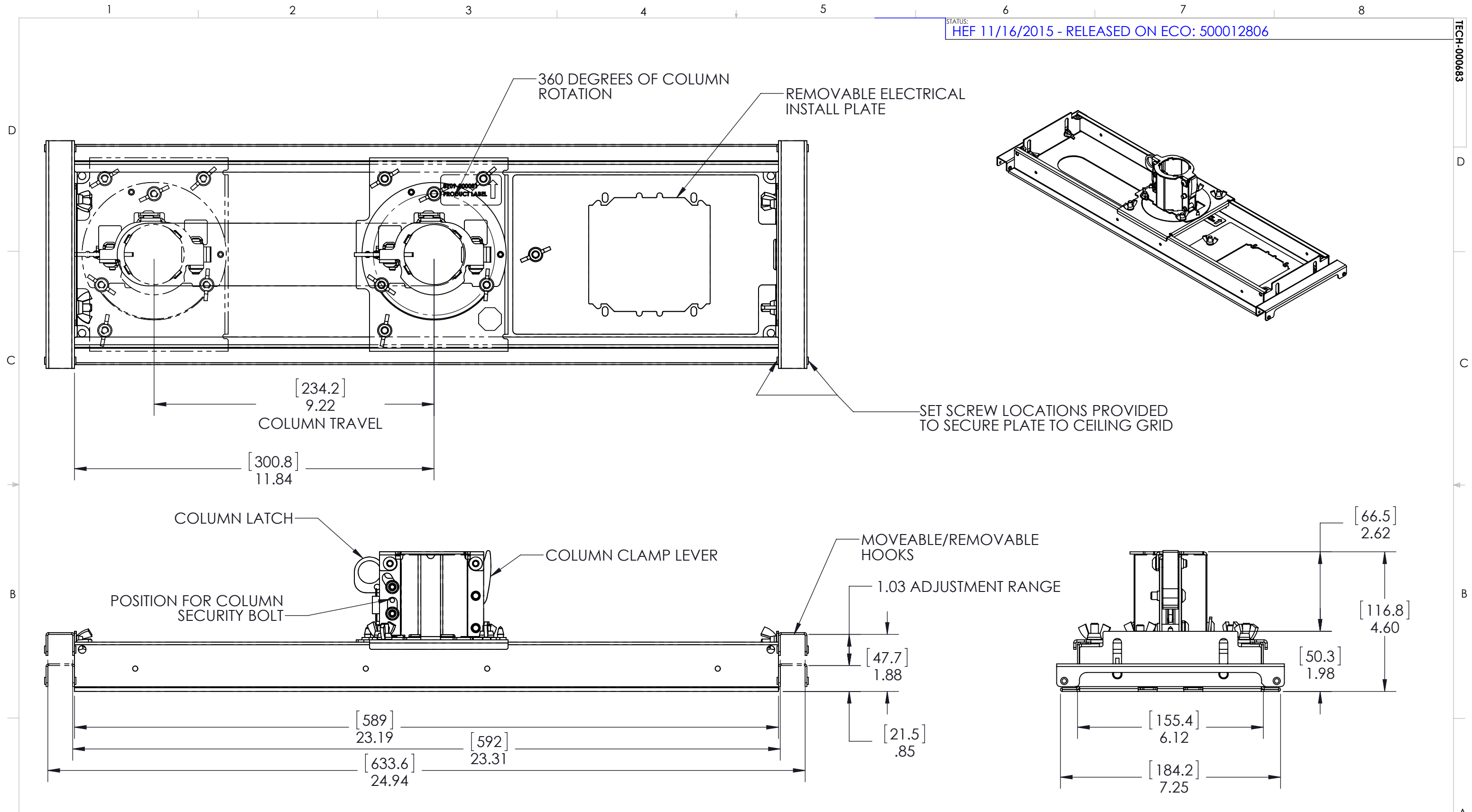
205 Westwood Ave, Long Branch, NJ 07740
 Phone: 866-94 BOARDS (26273) / (732)-222-1511
 Fax: (732)-222-7088 | E-mail: sales@touchboards.com



- NOTE:
1. THIS IS A 4 SHEET DRAWING
 2. SHEET 2 - CEILING PLATE
 3. SHEET 3 - PROJECTOR MOUNT AND COLUMN
 4. SHEET 4 - UNIVERSAL INTERFACE

THE INFORMATION AND DESIGNS CONTAINED IN THIS DRAWING ARE CONFIDENTIAL AND THE PROPRIETARY PROPERTY OF MILESTONE AV TECHNOLOGIES NEITHER THIS DESIGN NOR ANY INFORMATION CONTAINED IN THIS DRAWING MAY BE REPRODUCED OR DISCLOSED TO OTHERS WITHOUT THE EXPRESS WRITTEN CONSENT OF MILESTONE AV TECHNOLOGIES.

CAD GENERATED DRAWING, DO NOT MANUALLY UPDATE.			6436 CITY WEST PKWY EDEN PRAIRIE MN, 55344 PHONE: 866-977-3901 FAX: 877-894-6918		
DRAWN BY	HEF	4/8/2015			
ENG APPROVAL			DESCRIPTION ASSEMBLED SYSTEM SUSPENDED CEILING PROJECTOR SYSTEM		
MFG APPROVAL			MODEL NO.		
QA APPROVAL			REV.		
SHEET 1 OF 4		SCALE 1:8	SIZE B	DWG. NO. TECH-000683	01



THE INFORMATION AND DESIGNS CONTAINED IN THIS DRAWING ARE CONFIDENTIAL AND THE PROPRIETARY PROPERTY OF MILESTONE AV TECHNOLOGIES NEITHER THIS DESIGN NOR ANY INFORMATION CONTAINED IN THIS DRAWING MAY BE REPRODUCED OR DISCLOSED TO OTHERS WITHOUT THE EXPRESS WRITTEN CONSENT OF MILESTONE AV TECHNOLOGIES.

CAD GENERATED DRAWING, DO NOT MANUALLY UPDATE.				6436 CITY WEST PKWY EDEN PRAIRIE, MN, 55344 PHONE: 866-977-3901 FAX: 877-894-6918	
DRAWN BY	HEF	4/8/2015		DESCRIPTION CEILING PLATE SUSPENDED CEILING PROJECTOR SYSTEM	
ENG APPROVAL			MODEL NO.		
MFG APPROVAL					
QA APPROVAL					
SHEET 2 OF 4		SCALE 1:3	SIZE B	DWG. NO. TECH-000683	REV. 01

±3° ROLL ADJUSTMENT

ROLL MICRO/MACRO ADJUST KNOB

ROLL MICRO ADJUST KNOB

PITCH MICRO ADJUST KNOB

±10° YAW ADJUSTMENT

±10° PITCH ADJUSTMENT

[176.6]
6.95

PITCH MICRO/MACRO ADJUST KNOB

CABLE ROUTING TIE-OFF (4)

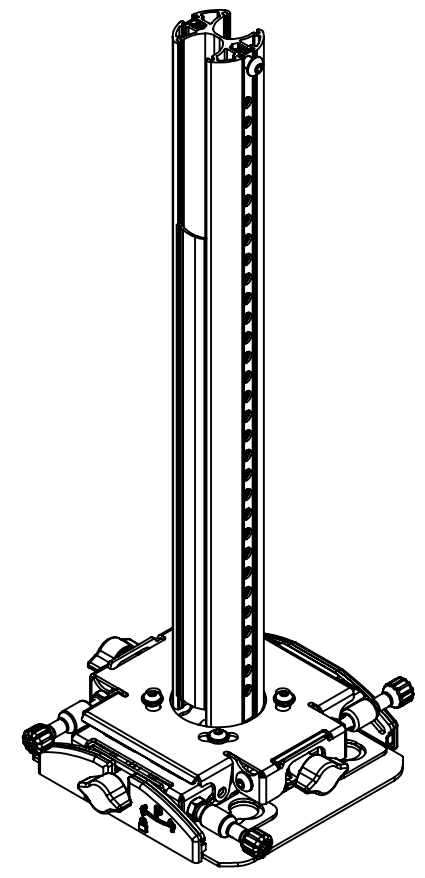
YAW MICRO/MACRO ADJUST KNOB

YAW MICRO ADJUST KNOB

[45.1]
1.78

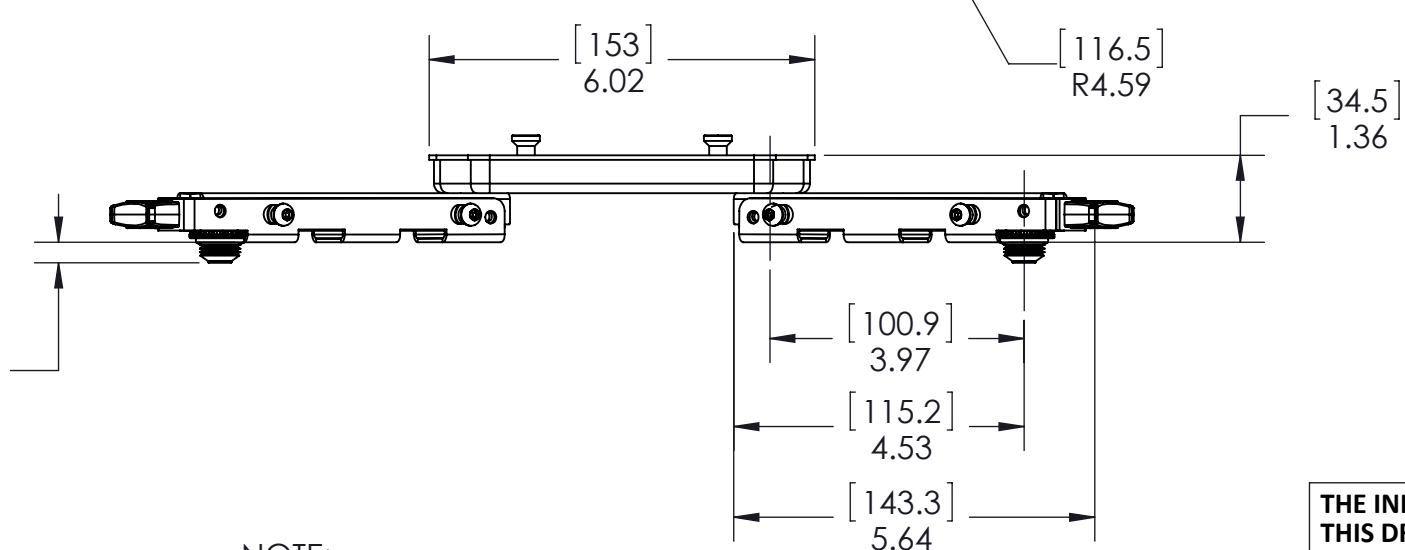
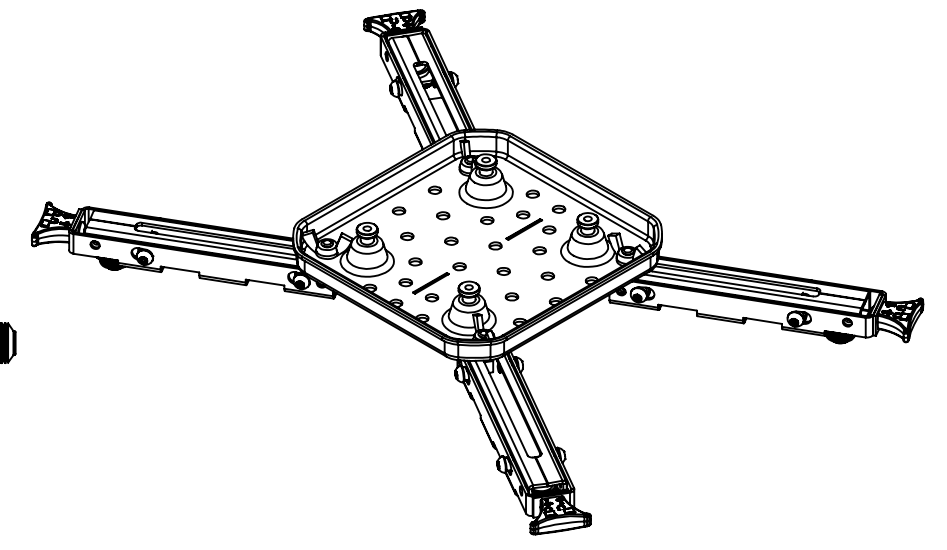
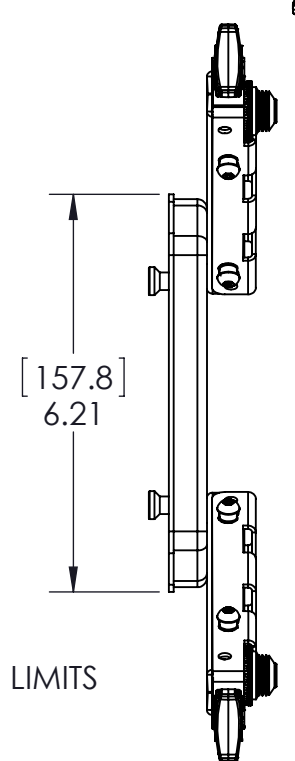
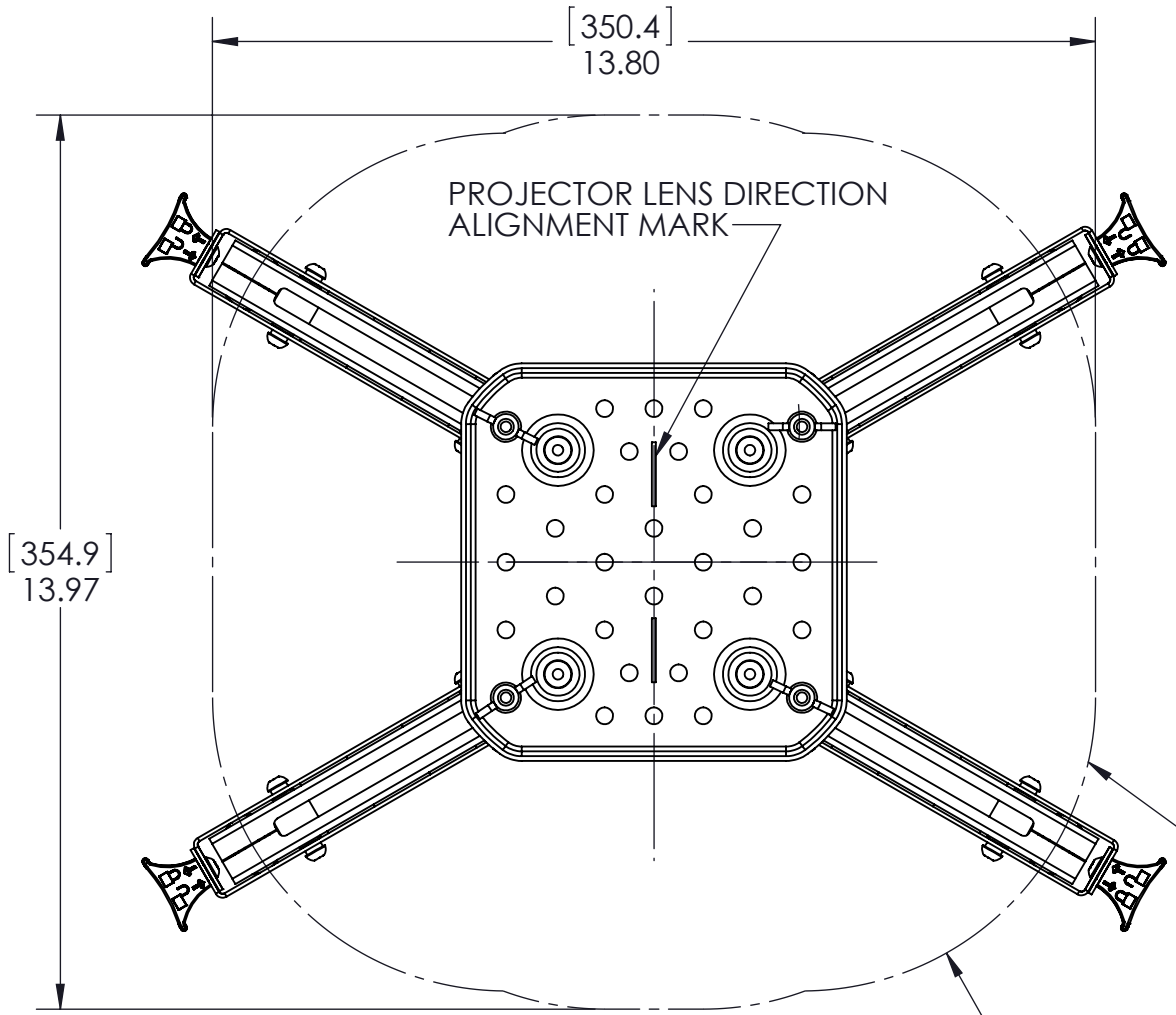
[177.8]
7.00

DIMENSIONAL VIEWS OF MOUNT SHOWN WITHOUT COLUMN TO INCREASE CLARITY



THE INFORMATION AND DESIGNS CONTAINED IN THIS DRAWING ARE CONFIDENTIAL AND THE PROPRIETARY PROPERTY OF MILESTONE AV TECHNOLOGIES NEITHER THIS DESIGN NOR ANY INFORMATION CONTAINED IN THIS DRAWING MAY BE REPRODUCED OR DISCLOSED TO OTHERS WITHOUT THE EXPRESS WRITTEN CONSENT OF MILESTONE AV TECHNOLOGIES.

CAD GENERATED DRAWING, DO NOT MANUALLY UPDATE.				6436 CITY WEST PKWY EDEN PRAIRIE MN, 55344 PHONE: 866-977-3901 FAX: 877-894-6918	
DRAWN BY	HEF	4/8/2015		DESCRIPTION	PROJECTOR MOUNT AND COLUMN SUSPENDED CEILING PROJECTOR SYSTEM
ENG APPROVAL			MODEL NO.		
MFG APPROVAL			SIZE	DWG. NO.	REV.
QA APPROVAL			B	TECH-000683	01
SHEET 3 OF 4			SCALE	1:2	



NOTE:
 1. INTERFACE SHOWN ASSEMBLED, SHIPPED AS LOOSE PIECES
 2. FOUR LEGS SHOWN, A MINIMUM OF THREE LEGS MUST BE USED TO PROPERLY MOUNT THE PROJECTOR

THE INFORMATION AND DESIGNS CONTAINED IN THIS DRAWING ARE CONFIDENTIAL AND THE PROPRIETARY PROPERTY OF MILESTONE AV TECHNOLOGIES NEITHER THIS DESIGN NOR ANY INFORMATION CONTAINED IN THIS DRAWING MAY BE REPRODUCED OR DISCLOSED TO OTHERS WITHOUT THE EXPRESS WRITTEN CONSENT OF MILESTONE AV TECHNOLOGIES.

CAD GENERATED DRAWING, DO NOT MANUALLY UPDATE.				6436 CITY WEST PKWY EDEN PRAIRIE MN, 55344 PHONE: 866-977-3901 FAX: 877-894-6918		
DRAWN BY	HEF	4/8/2015		DESCRIPTION	UNIVERSAL INTERFACE SUSPENDED CEILING PROJECTOR SYSTEM	
ENG APPROVAL			MODEL NO.			
MFG APPROVAL			SIZE	DWG. NO.	REV.	
QA APPROVAL			SHEET 4 OF 4	SCALE 1:3	B TECH-000683	01