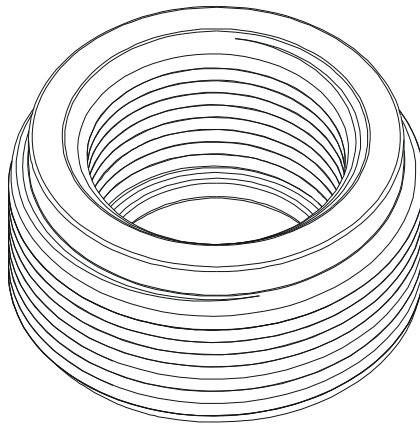


---

# INSTALLATION INSTRUCTIONS

---



---

**1-1/2" to 1" NPT Adapter Accessory**

---

**DISCLAIMER**

Milestone AV Technologies and its affiliated corporations and subsidiaries (collectively "Milestone"), intend to make this manual accurate and complete. However, Milestone makes no claim that the information contained herein covers all details, conditions or variations, nor does it provide for every possible contingency in connection with the installation or use of this product. The information contained in this document is subject to change without notice or obligation of any kind. Milestone makes no representation of warranty, expressed or implied, regarding the information contained herein. Milestone assumes no responsibility for accuracy, completeness or sufficiency of the information contained in this document.

Chief® is a registered trademark of Milestone AV Technologies. All rights reserved.

**! IMPORTANT SAFETY INSTRUCTIONS**

**! WARNING:** A WARNING alerts you to the possibility of serious injury or death if you do not follow the instructions.

**! CAUTION:** A CAUTION alerts you to the possibility of damage or destruction of equipment if you do not follow the corresponding instructions.

**! WARNING:** Failure to read, thoroughly understand, and follow all instructions can result in serious personal injury, damage to equipment, or voiding of factory warranty! It is the installer's responsibility to make sure all components are properly assembled and installed using the instructions provided.

**! WARNING:** Do not use this product outdoors.

**! WARNING:** Failure to provide adequate structural strength for this component can result in serious personal injury or damage to equipment! It is the installer's responsibility to make sure the structure to which this component is attached can support five times the combined weight of all equipment. Reinforce the structure as required before installing the component.

**! WARNING:** Exceeding the weight capacity can result in serious personal injury or damage to equipment! It is the installer's responsibility to make sure the combined weight of all components attached to the CMA151 does not exceed 250 lbs (113 kg).

- The weight capacity of the CMA151 may be limited to the lowest weight capacity of any other component located between the CMA151 and the supporting structure.

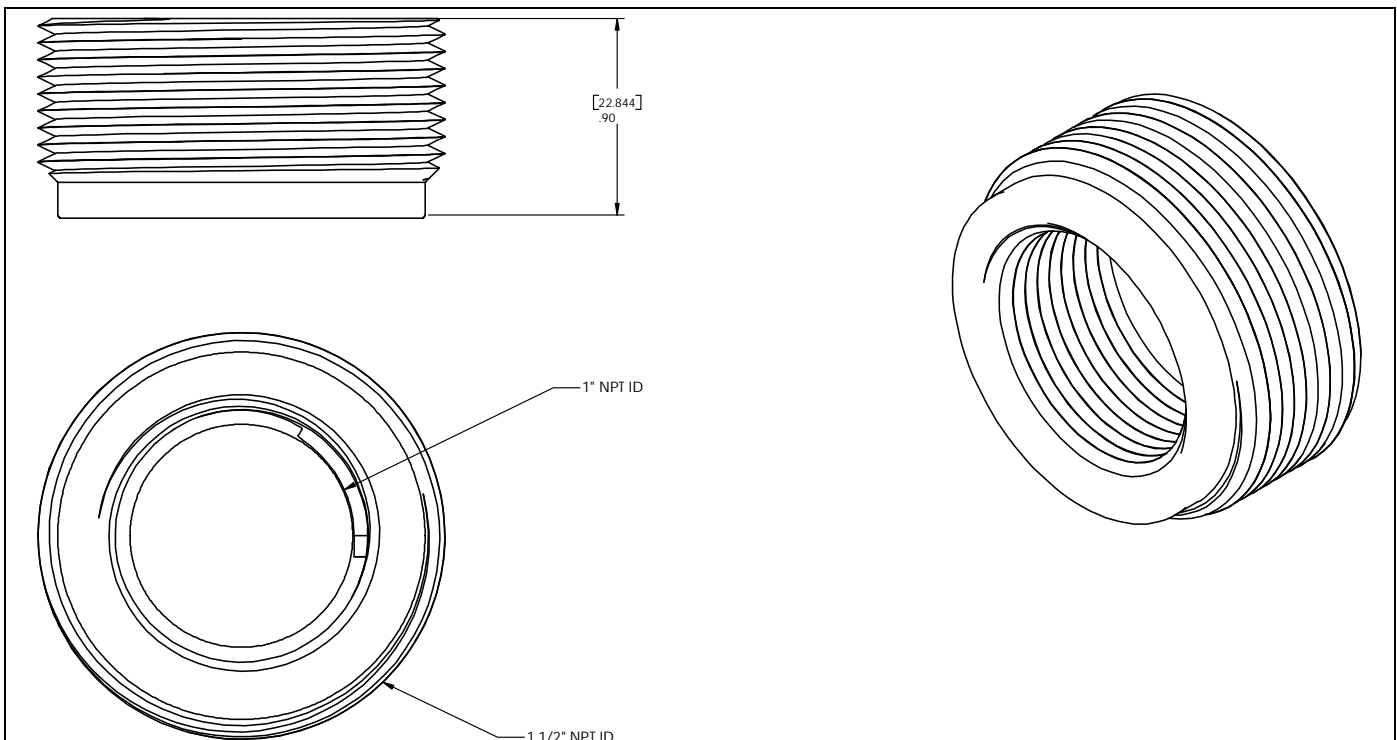
**! WARNING:** Use this mounting system only for its intended use as described in these instructions. Do not use attachments not recommended by the manufacturer.

**! WARNING:** Never operate this mounting system if it is damaged. Return the mounting system to a service center for examination and repair.

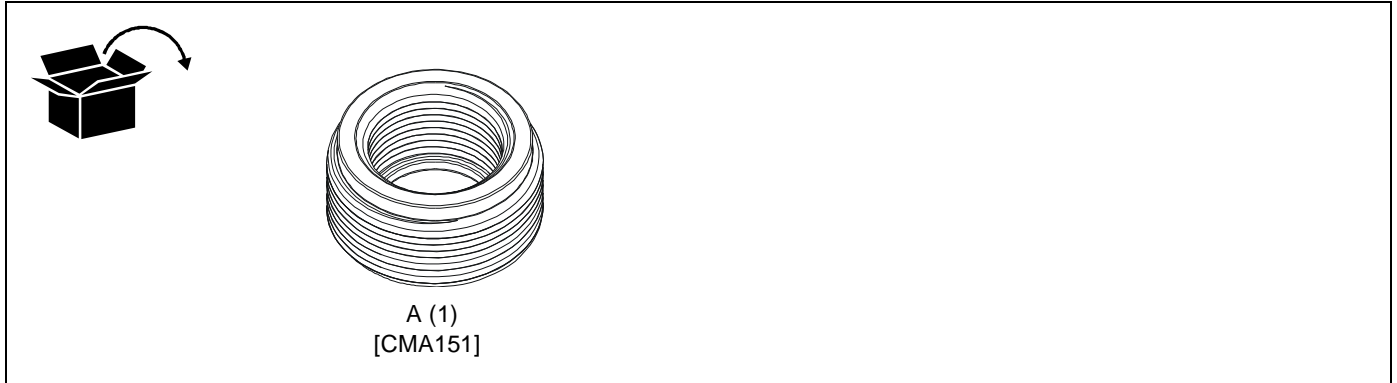
**IMPORTANT ! :** CMA151 is intended for use with UL Listed CMA Series ceiling plates: CMA101, CMA105, CMA110, CMA115, CMA330, CMA345 and RPA ceiling mounts; as well as UL Listed 1" and 1-1/2" NPT or NPSM following ANSI/ASME B1.20.1 (Schedule 40, 0.154: minimum thickness steel or aluminum - ASTM B221) threaded column.

**--SAVE THESE INSTRUCTIONS--**

**DIMENSIONS**



**PARTS FOR INSTALLATION**



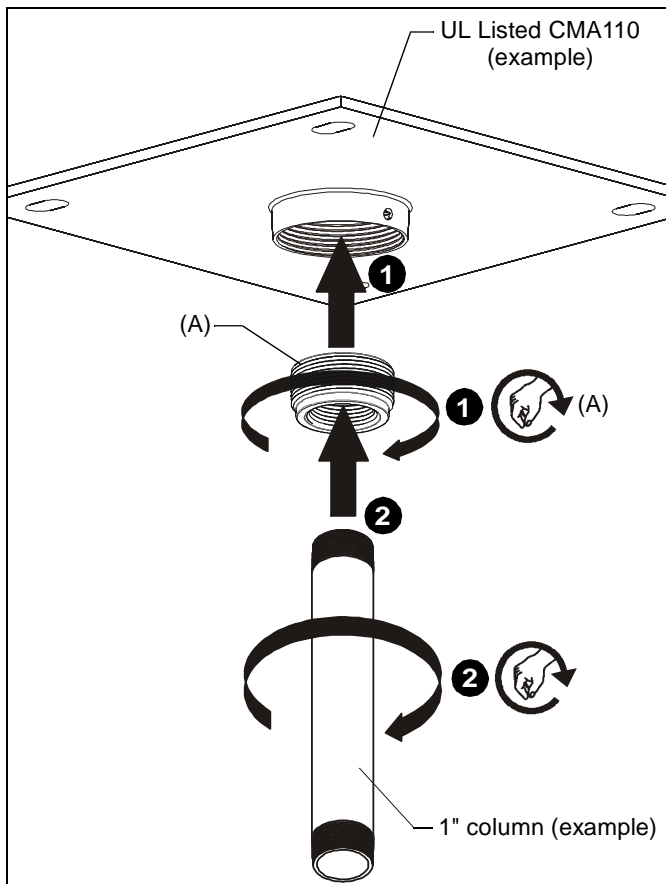
**ASSEMBLY AND INSTALLATION**

**IMPORTANT !** : These installation instructions assume that a 1-1/2" NPT or NPSM following ANSI/ASME B1.20.1 (Schedule 40, 0.154" minimum thickness steel or aluminum - ASTM B221) threaded extension column (not included) OR a UL Listed CMA Series ceiling plate (not included) has been properly installed and is in place.

1. Thread CMA151 (A) into 1-1/2" NPT threaded column or ceiling plate by hand with a minimum of four threads engaged. (See Figure 1)

2. Thread 1" NPT or NPSM following ANSI/ASME B1.20.1 (Schedule 40, 0.154" minimum thickness steel or aluminum - ASTM B221) threaded column into CMA151 (A) by hand with a minimum of four threads engaged. (See Figure 1)

3. Complete the installation following the mount installation instructions. Refer to column/pipe installation instructions for further installation details regarding connection procedures.



**Figure 1**



Our Mounts. **Your Vision.**

Chief, a products division of  
Milestone AV Technologies

8800-002556 Rev00  
©2014 Milestone AV Technologies  
[www.chiefmfg.com](http://www.chiefmfg.com)  
03/14

<b>USA/International</b>	<b>A</b> 6436 City West Parkway, Eden Prairie, MN 55344 <b>P</b> 800.582.6480 / 952.225.6000 <b>F</b> 877.894.6918 / 952.894.6918
<b>Europe</b>	<b>A</b> Franklinstraat 14, 6003 DK Weert, Netherlands <b>P</b> +31 (0) 495 580 852 <b>F</b> +31 (0) 495 580 845
<b>Asia Pacific</b>	<b>A</b> Office No. 1 on 12/F, Shatin Galleria 18-24 Shan Mei Street Fotan, Shatin, Hong Kong <b>P</b> 852 2145 4099 <b>F</b> 852 2145 4477

