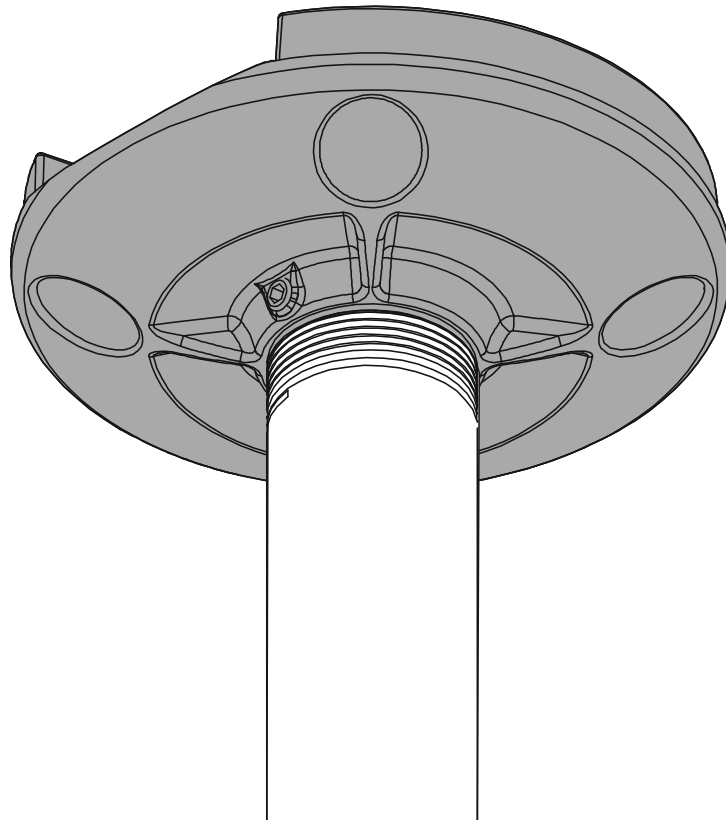

INSTALLATION INSTRUCTIONS



205 Westwood Ave, Long Branch, NJ 07740
Phone: 866-94 BOARDS (26273) / (732)-222-1511
Fax: (732)-222-7088 | E-mail: sales@touchboards.com



Ceiling Plate

DISCLAIMER

Milestone AV Technologies and its affiliated corporations and subsidiaries (collectively "Milestone"), intend to make this manual accurate and complete. However, Milestone makes no claim that the information contained herein covers all details, conditions or variations, nor does it provide for every possible contingency in connection with the installation or use of this product. The information contained in this document is subject to change without notice or obligation of any kind. Milestone makes no representation of warranty, expressed or implied, regarding the information contained herein. Milestone assumes no responsibility for accuracy, completeness or sufficiency of the information contained in this document.

Chief® is a registered trademark of Milestone AV Technologies. All rights reserved.



WARNING: Use this mounting system only for its intended use as described in these instructions. Do not use attachments not recommended by the manufacturer.



WARNING: Never operate this mounting system if it is damaged. Return the mounting system to a service center for examination and repair.



WARNING: Do not use this product outdoors.

IMPORTANT ! : The CMS115 is designed to be mounted to 2" x 4" wood stud joists.

--SAVE THESE INSTRUCTIONS--



IMPORTANT SAFETY INSTRUCTIONS



WARNING: A WARNING alerts you to the possibility of serious injury or death if you do not follow the instructions.



CAUTION: A CAUTION alerts you to the possibility of damage or destruction of equipment if you do not follow the corresponding instructions.



WARNING: Failure to read, thoroughly understand, and follow all instructions can result in serious personal injury, damage to equipment, or voiding of factory warranty! It is the installer's responsibility to make sure all components are properly assembled and installed using the instructions provided.

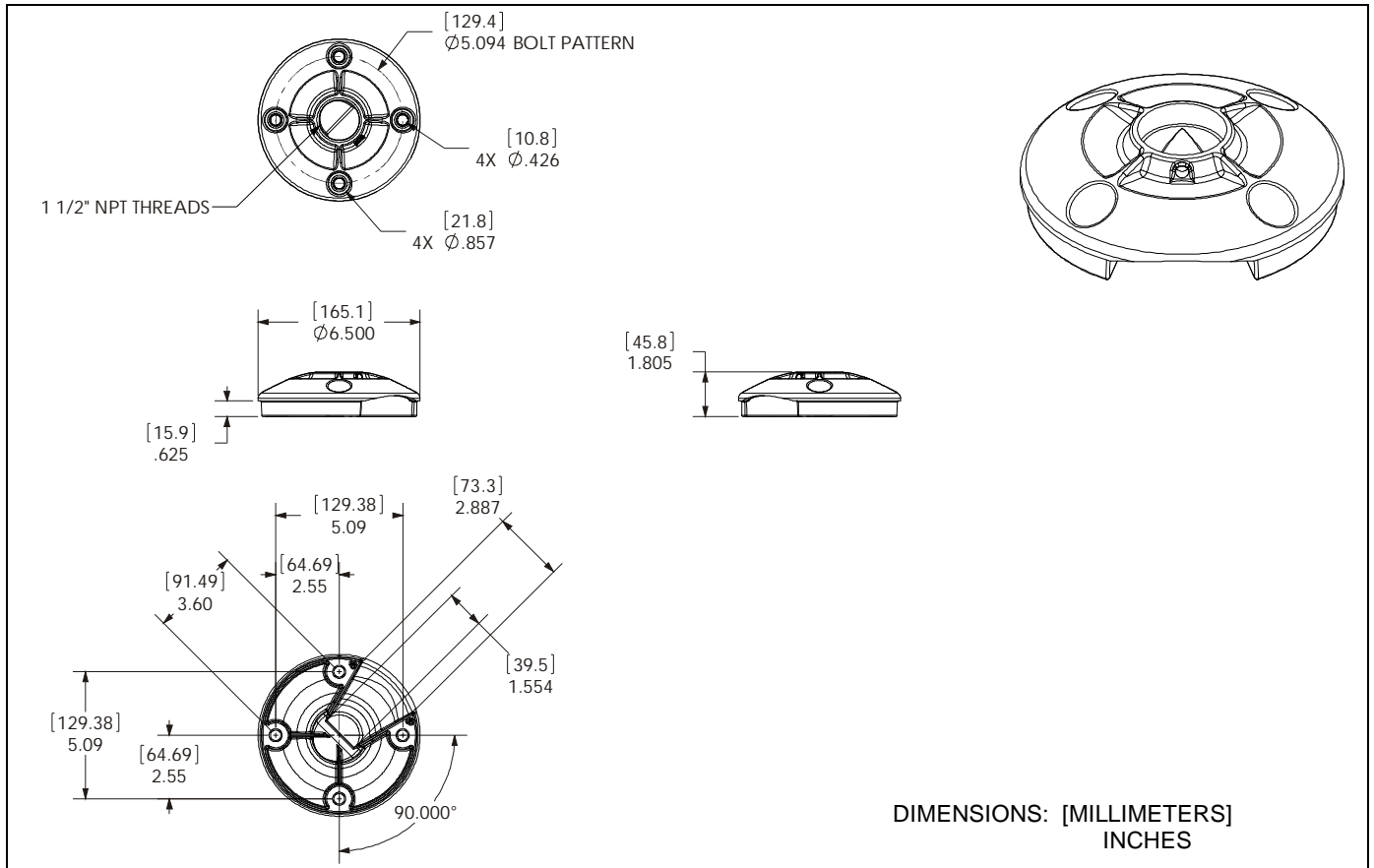


WARNING: Failure to provide adequate structural strength for this component can result in serious personal injury or damage to equipment! It is the installer's responsibility to make sure the structure to which this component is attached can support five times the combined weight of all equipment. Reinforce the structure as required before installing the component.



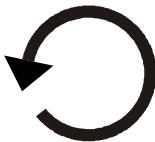








WARNING: Exceeding the weight capacity can result in serious personal injury or damage to equipment! It is the installer's responsibility to make sure the combined weight of all components attached to the CMS115 does not exceed 500 lbs (227 kg).

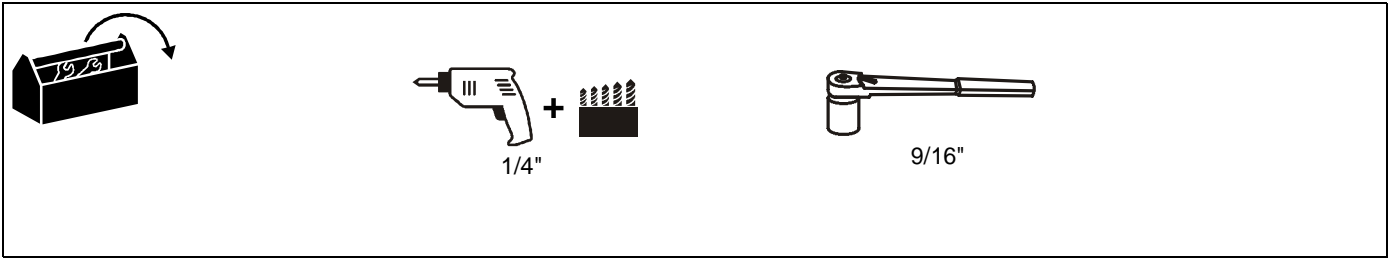
DIMENSIONS



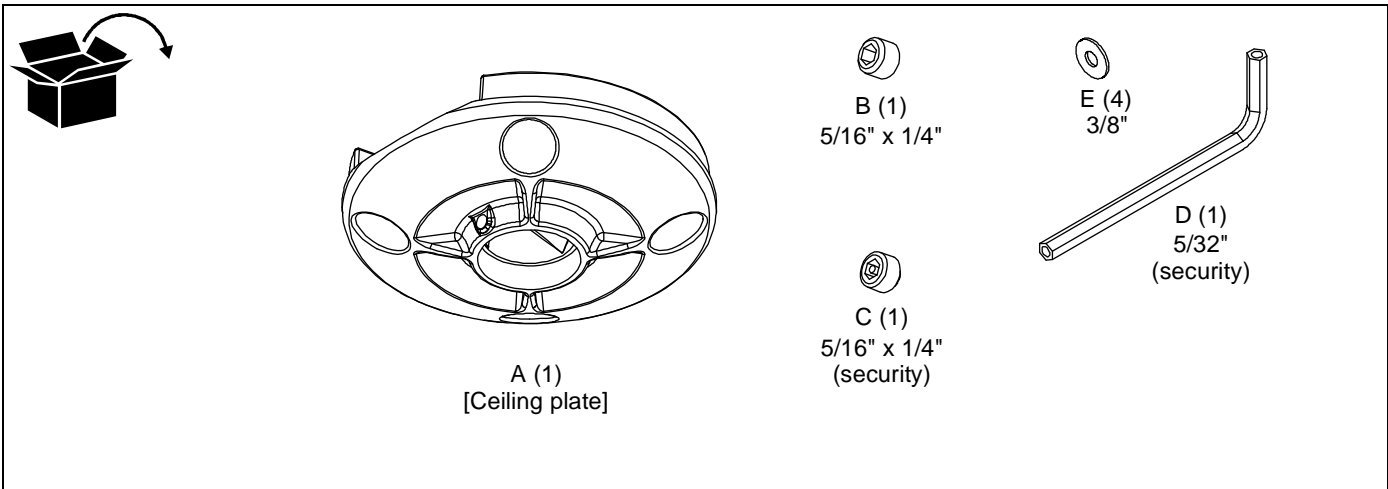
LEGEND

	<table border="1"> <thead> <tr> <th>Tighten Fastener</th> </tr> </thead> <tbody> <tr><td>Apretar elemento de fijación</td></tr> <tr><td>Befestigungsteil festziehen</td></tr> <tr><td>Apertar fixador</td></tr> <tr><td>Serrare il fissaggio</td></tr> <tr><td>Bevestiging vastdraaien</td></tr> <tr><td>Serrez les fixations</td></tr> </tbody> </table>	Tighten Fastener	Apretar elemento de fijación	Befestigungsteil festziehen	Apertar fixador	Serrare il fissaggio	Bevestiging vastdraaien	Serrez les fixations		<table border="1"> <thead> <tr> <th>Pencil Mark</th> </tr> </thead> <tbody> <tr><td>Marcar con lápiz</td></tr> <tr><td>Stiftmarkierung</td></tr> <tr><td>Marcar com lápis</td></tr> <tr><td>Segno a matita</td></tr> <tr><td>Potloodmerkteken</td></tr> <tr><td>Marquage au crayon</td></tr> </tbody> </table>	Pencil Mark	Marcar con lápiz	Stiftmarkierung	Marcar com lápis	Segno a matita	Potloodmerkteken	Marquage au crayon
Tighten Fastener																	
Apretar elemento de fijación																	
Befestigungsteil festziehen																	
Apertar fixador																	
Serrare il fissaggio																	
Bevestiging vastdraaien																	
Serrez les fixations																	
Pencil Mark																	
Marcar con lápiz																	
Stiftmarkierung																	
Marcar com lápis																	
Segno a matita																	
Potloodmerkteken																	
Marquage au crayon																	
	<table border="1"> <thead> <tr> <th>Loosen Fastener</th> </tr> </thead> <tbody> <tr><td>Aflojar elemento de fijación</td></tr> <tr><td>Befestigungsteil lösen</td></tr> <tr><td>Desapertar fixador</td></tr> <tr><td>Allentare il fissaggio</td></tr> <tr><td>Bevestiging losdraaien</td></tr> <tr><td>Desserrez les fixations</td></tr> </tbody> </table>	Loosen Fastener	Aflojar elemento de fijación	Befestigungsteil lösen	Desapertar fixador	Allentare il fissaggio	Bevestiging losdraaien	Desserrez les fixations		<table border="1"> <thead> <tr> <th>Drill Hole</th> </tr> </thead> <tbody> <tr><td>Perforar</td></tr> <tr><td>Bohrloch</td></tr> <tr><td>Fazer furo</td></tr> <tr><td>Praticare un foro</td></tr> <tr><td>Gat boren</td></tr> <tr><td>Percez un trou</td></tr> </tbody> </table>	Drill Hole	Perforar	Bohrloch	Fazer furo	Praticare un foro	Gat boren	Percez un trou
Loosen Fastener																	
Aflojar elemento de fijación																	
Befestigungsteil lösen																	
Desapertar fixador																	
Allentare il fissaggio																	
Bevestiging losdraaien																	
Desserrez les fixations																	
Drill Hole																	
Perforar																	
Bohrloch																	
Fazer furo																	
Praticare un foro																	
Gat boren																	
Percez un trou																	
	<table border="1"> <thead> <tr> <th>By Hand</th> </tr> </thead> <tbody> <tr><td>A mano</td></tr> <tr><td>Von Hand</td></tr> <tr><td>Com a mão</td></tr> <tr><td>A mano</td></tr> <tr><td>Met de hand</td></tr> <tr><td>À la main</td></tr> </tbody> </table>	By Hand	A mano	Von Hand	Com a mão	A mano	Met de hand	À la main		<table border="1"> <thead> <tr> <th>Optional</th> </tr> </thead> <tbody> <tr><td>Opcional</td></tr> <tr><td>Optional</td></tr> <tr><td>Opcional</td></tr> <tr><td>Opzionale</td></tr> <tr><td>Optie</td></tr> <tr><td>En option</td></tr> </tbody> </table>	Optional	Opcional	Optional	Opcional	Opzionale	Optie	En option
By Hand																	
A mano																	
Von Hand																	
Com a mão																	
A mano																	
Met de hand																	
À la main																	
Optional																	
Opcional																	
Optional																	
Opcional																	
Opzionale																	
Optie																	
En option																	
	<table border="1"> <thead> <tr> <th>Hex-Head Wrench</th> </tr> </thead> <tbody> <tr><td>Llave de cabeza hexagonal</td></tr> <tr><td>Sechskantschlüssel</td></tr> <tr><td>Chave de cabeça sextavada</td></tr> <tr><td>Chiave esagonale</td></tr> <tr><td>Zeskantsleutel</td></tr> <tr><td>Clé à tête hexagonale</td></tr> </tbody> </table>	Hex-Head Wrench	Llave de cabeza hexagonal	Sechskantschlüssel	Chave de cabeça sextavada	Chiave esagonale	Zeskantsleutel	Clé à tête hexagonale		<table border="1"> <thead> <tr> <th>Security Wrench</th> </tr> </thead> <tbody> <tr><td>Llave de seguridad</td></tr> <tr><td>Sicherheitsschlüssel</td></tr> <tr><td>Chave de segurança</td></tr> <tr><td>Chiave di sicurezza</td></tr> <tr><td>Veiligheidsleutel</td></tr> <tr><td>Clé de sécurité</td></tr> </tbody> </table>	Security Wrench	Llave de seguridad	Sicherheitsschlüssel	Chave de segurança	Chiave di sicurezza	Veiligheidsleutel	Clé de sécurité
Hex-Head Wrench																	
Llave de cabeza hexagonal																	
Sechskantschlüssel																	
Chave de cabeça sextavada																	
Chiave esagonale																	
Zeskantsleutel																	
Clé à tête hexagonale																	
Security Wrench																	
Llave de seguridad																	
Sicherheitsschlüssel																	
Chave de segurança																	
Chiave di sicurezza																	
Veiligheidsleutel																	
Clé de sécurité																	
	<table border="1"> <thead> <tr> <th>Socket Wrench</th> </tr> </thead> <tbody> <tr><td>Llave de cubo</td></tr> <tr><td>Steckschlüssel</td></tr> <tr><td>Chave de caixa</td></tr> <tr><td>Chiave a brugola</td></tr> <tr><td>Dopsleutel</td></tr> <tr><td>Clé à douilles</td></tr> </tbody> </table>	Socket Wrench	Llave de cubo	Steckschlüssel	Chave de caixa	Chiave a brugola	Dopsleutel	Clé à douilles									
Socket Wrench																	
Llave de cubo																	
Steckschlüssel																	
Chave de caixa																	
Chiave a brugola																	
Dopsleutel																	
Clé à douilles																	

TOOLS REQUIRED FOR INSTALLATION



PARTS



INSTALLATION



WARNING: Failure to provide adequate structural strength for this component can result in serious personal injury or damage to equipment! It is the installer's responsibility to make sure the structure to which this component is attached can support five times the combined weight of all equipment. Reinforce the structure as required before installing the component.

- Using ceiling plate (A) as a template, mark locations of two pilot holes (See Figure 1). Ensure the following:
 - Use *OPPOSITE* holes in plate (A), and
 - Marks are in the center of wood joist.

NOTE: Drywall not shown for clarity.

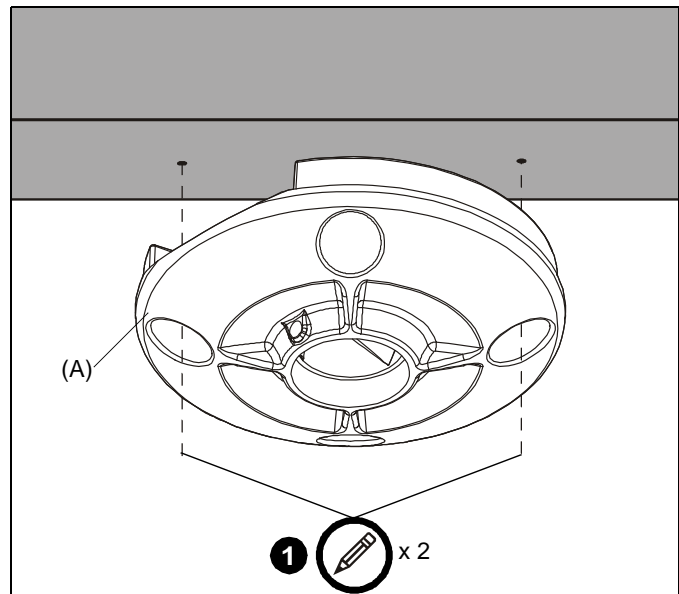


Figure 1

2. Drill 1/4" diameter pilot holes into wood joist (See Figure 2). Ensure pilot holes are straight.

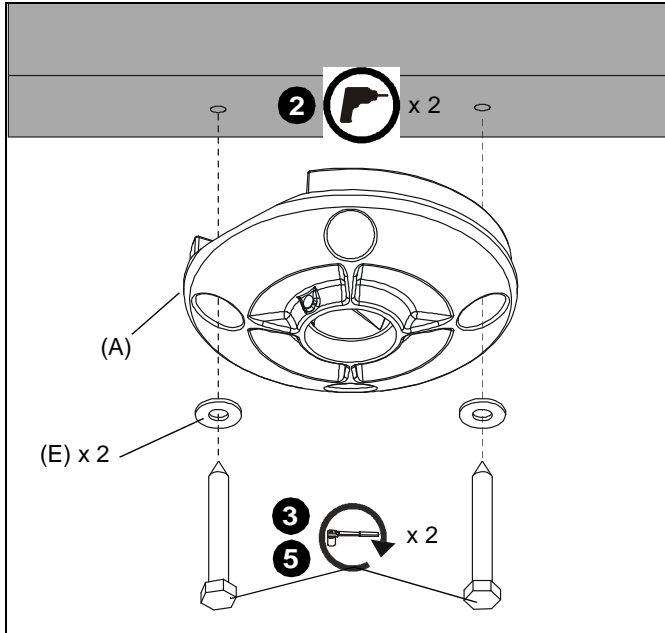


Figure 2

3. Using 9/16" socket wrench, loosely install two (minimum) Grade 2 (not included) 3/8" x 2-1/2" lag screws through 3/8" washers (E), ceiling plate (A), into wood joist (See Figure 2). Do not tighten plate (A) against ceiling at this time to accommodate cable installation.

NOTE: Two additional washers are provided.

4. Route cables through channel in ceiling plate (A) (See Figure 3).

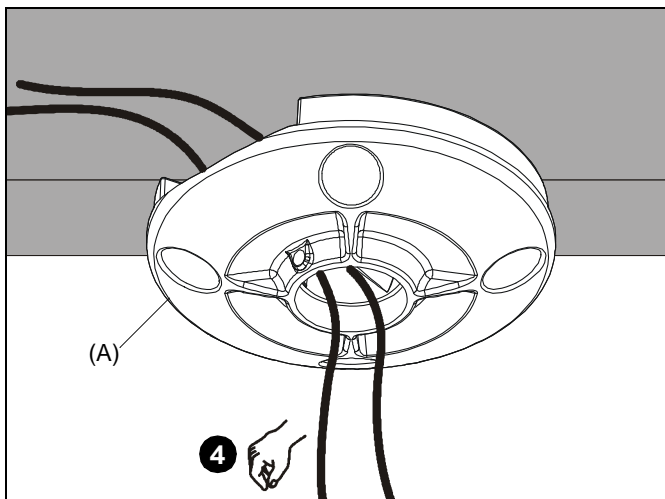


Figure 3

5. Tighten lag screws (See Figure 2).



WARNING: Exceeding the weight capacity can result in serious personal injury or damage to equipment! It is the installer's responsibility to make sure the combined weight of all components attached to the CMS115 does not exceed 500 lbs (227 kg).

6. Route cables through extension column (not included).
7. Using pipe wrench, install 1-1/2" NPT or NPSM following ANSI/ASME B1.20.1 (Schedule 40, 0.154" minimum thickness aluminum - ASTM B221) threaded extension column (not included) into threaded collar of ceiling plate (A) until tight, with a minimum of four threads engaged.
8. Using hex key (D), secure extension column by *one* of the following methods (See Figure 4):
 - Install one 5/16" x 1/4" set screw (B) into threaded hole, tightening firmly against column.
 - **OPTIONAL:** Install one 5/16" x 1/4" security set screw (C) into threaded hole, tightening firmly against column.

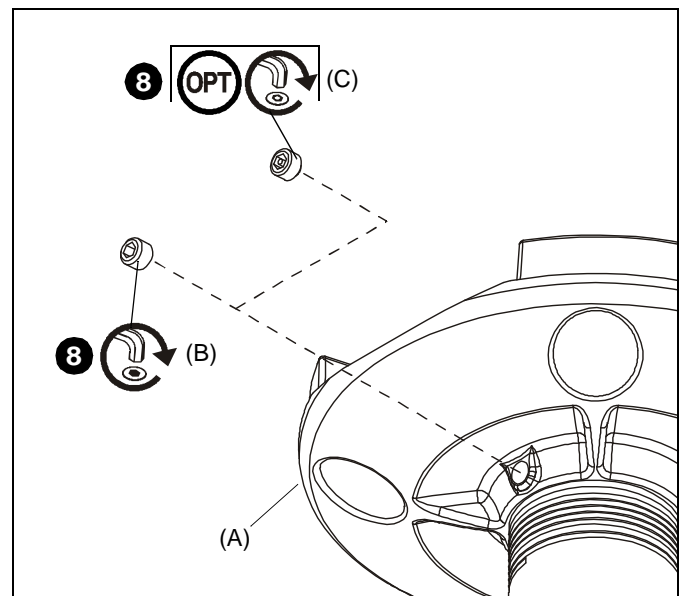


Figure 4



**MANUFACTURERS
DECLARATION OF CONFORMITY**
For

Product identification:

Model/type : CMS115
 Category (description) : Mounting devices, Stands and other Accessories, to be used with entertainment electronics
 Brand : Chief

Manufacturer: Milestone AV Technologies
 8401 Eagle Creek Parkway
 Savage, MN 55378

EU Representative: Milestone AV Technologies
 Fellennoord 130 5611
 ZB Eindhoven
 The Netherlands
 31 (0)20 5708923

Concerning				
	EMC	Safety		
A sample of the product has been tested by:	Not Applicable	CSAV Inc.		
Test report reference	.			
Applied standards		EN 60065 :2002		

Means of conformity

We declare under our sole responsibility that this product is in conformity with Directive 93/68/EEC (Marking), 98/37/EC (Machinery) 2001/95/EC (Safety) and/or complies to the essential requirements and all other relevant provisions of the based on test results using (non)harmonized standards in accordance with the Directives mentioned



Our Mounts. **Your Vision.**

Chief Manufacturing, a products division
of Milestone AV Technologies

8800-002184 Rev00

©2012 Milestone AV Technologies, a
Duchossois Group Company

www.chiefmfg.com

04/12

USA/International	A 6436 City West Parkway, Eden Prairie, MN 55344
	P 800.582.6480 / 952.225.6000
	F 877.894.6918 / 952.894.6918
Europe	A Franklinstraat 14, 6003 DK Weert, Netherlands
	P +31 (0) 495 580 852
	F +31 (0) 495 580 845
Asia Pacific	A Office No. 1 on 12/F, Shatin Galleria 18-24 Shan Mei Street Fotan, Shatin, Hong Kong
	P 852 2145 4099
	F 852 2145 4477

