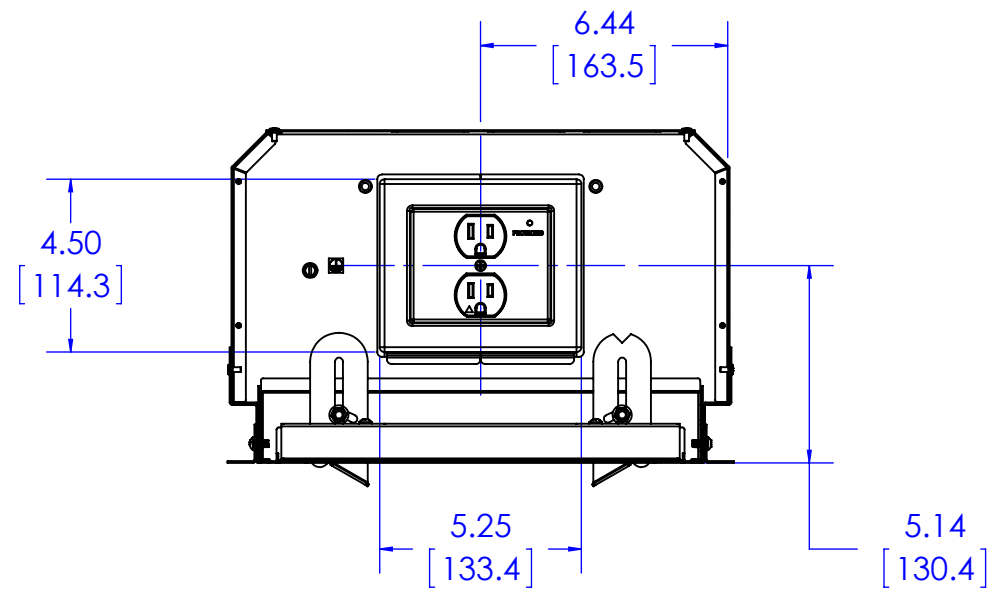
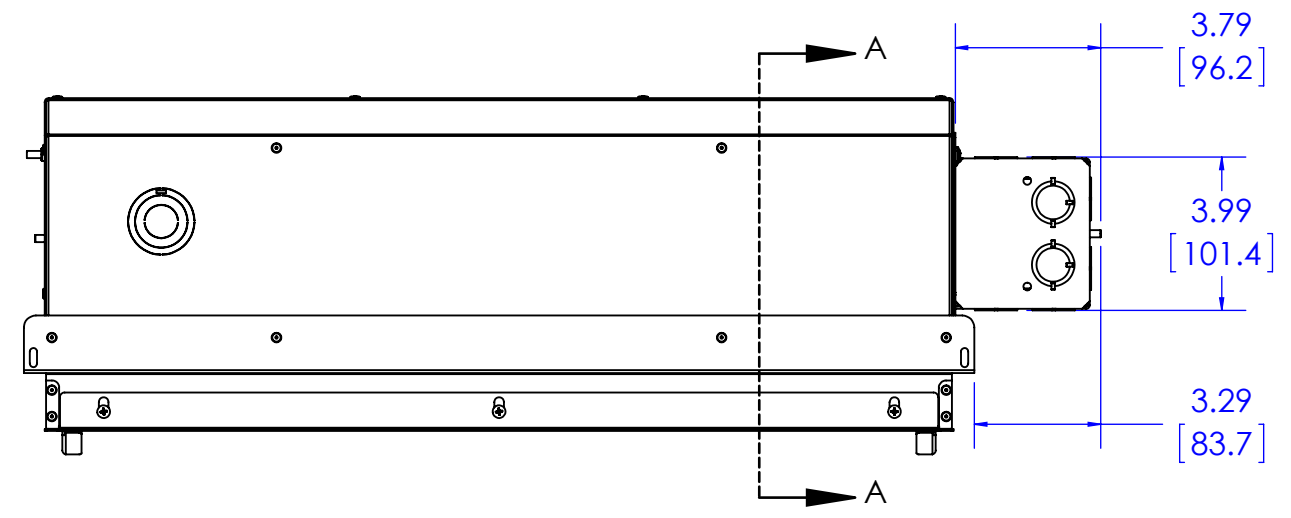
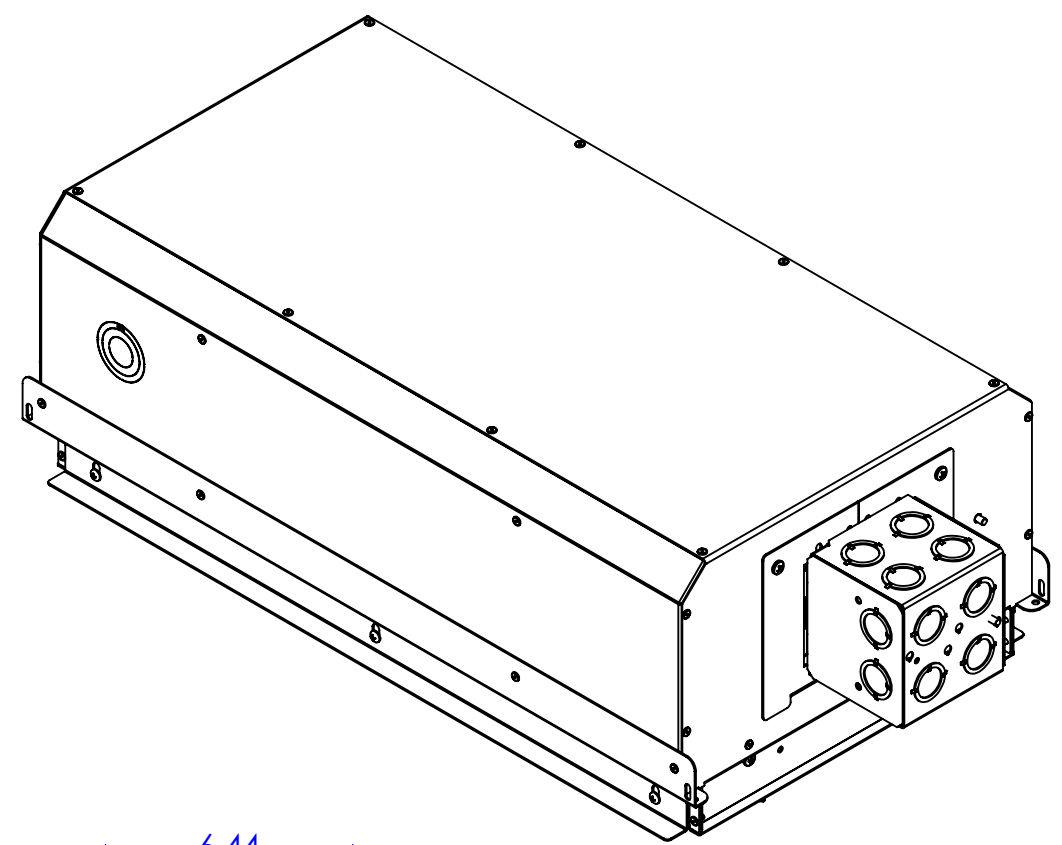
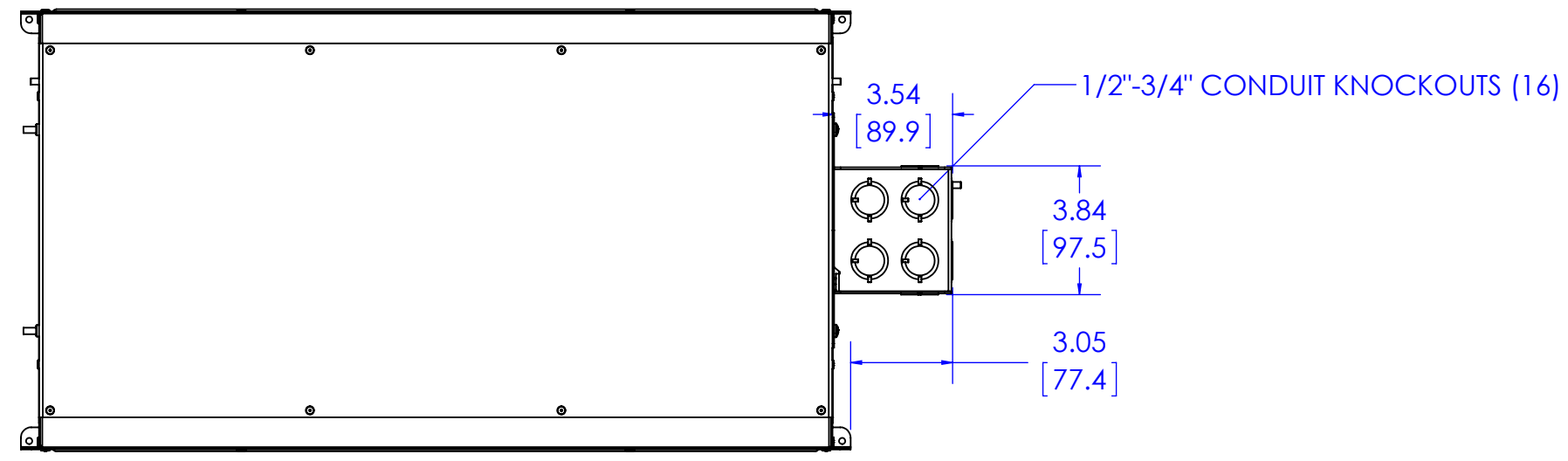


**\*SEE CMS491 FOR BOX DIMENSIONS\***



SECTION A-A

**AC LINE POWER CONDITIONER 125 V~, 60 Hz, 15 A**

**4x14 AWG STRANDED WIRE W/ ISOLATED GROUND**

**SURGE PROTECTION**

**EMI/RFI FILTERING**

**POWER CONSUMPTION: <0.5 WATT**

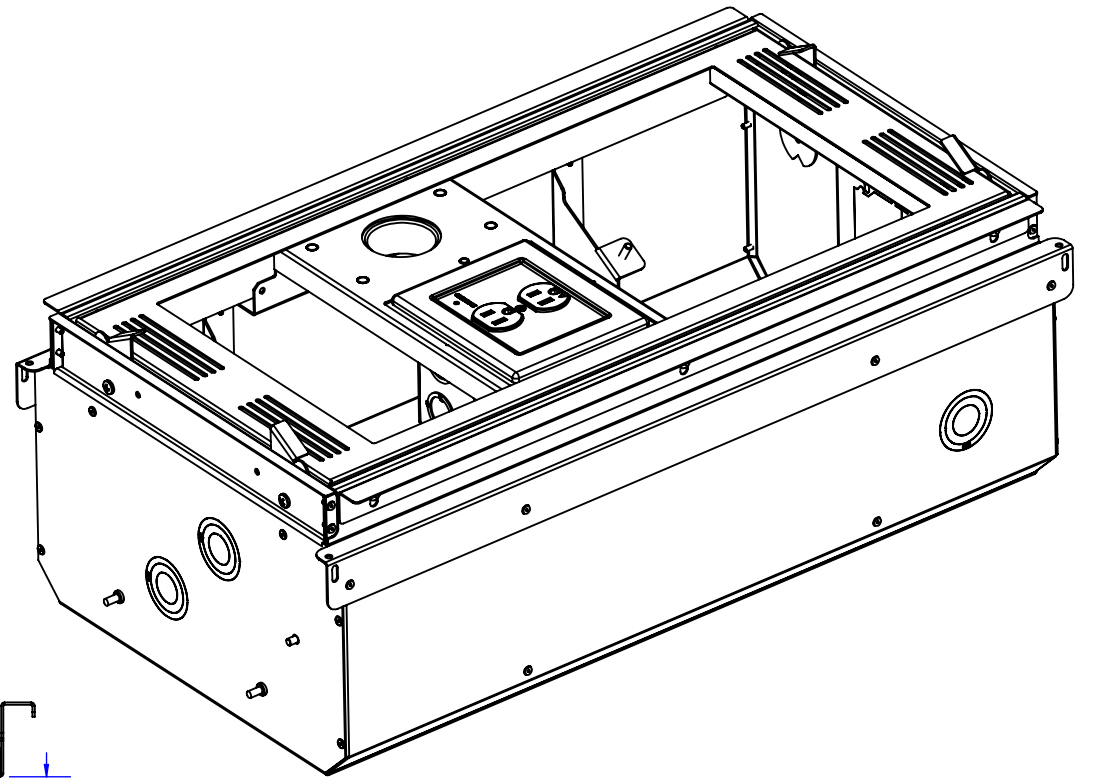
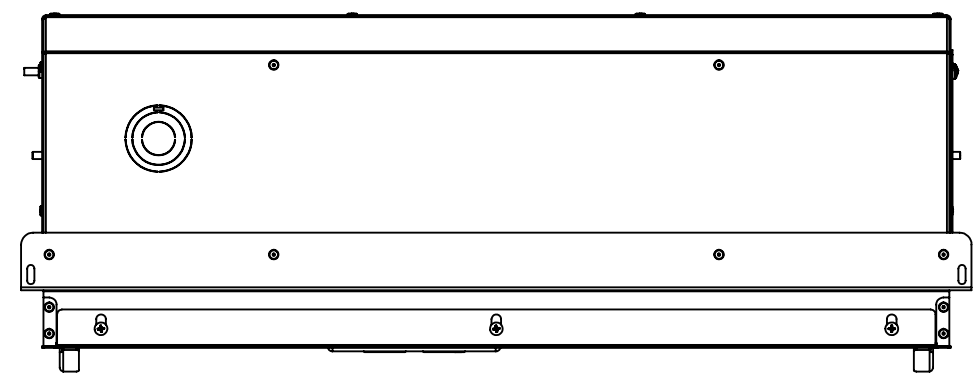
**Touchboards**

205 Westwood Ave, Long Branch, NJ 07740  
 Phone: 866-94 BOARDS (26273) / (732)-222-1511  
 Fax: (732)-222-7088 | E-mail: sales@touchboards.com

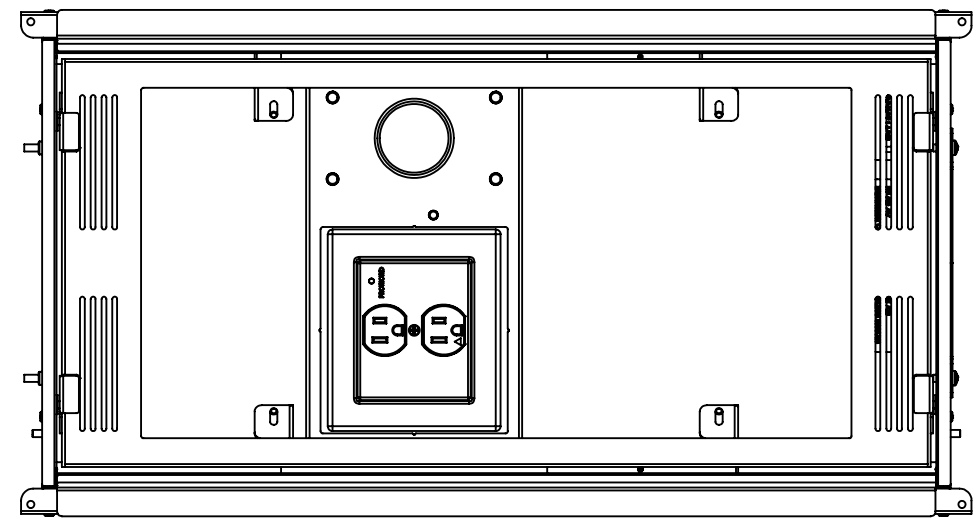
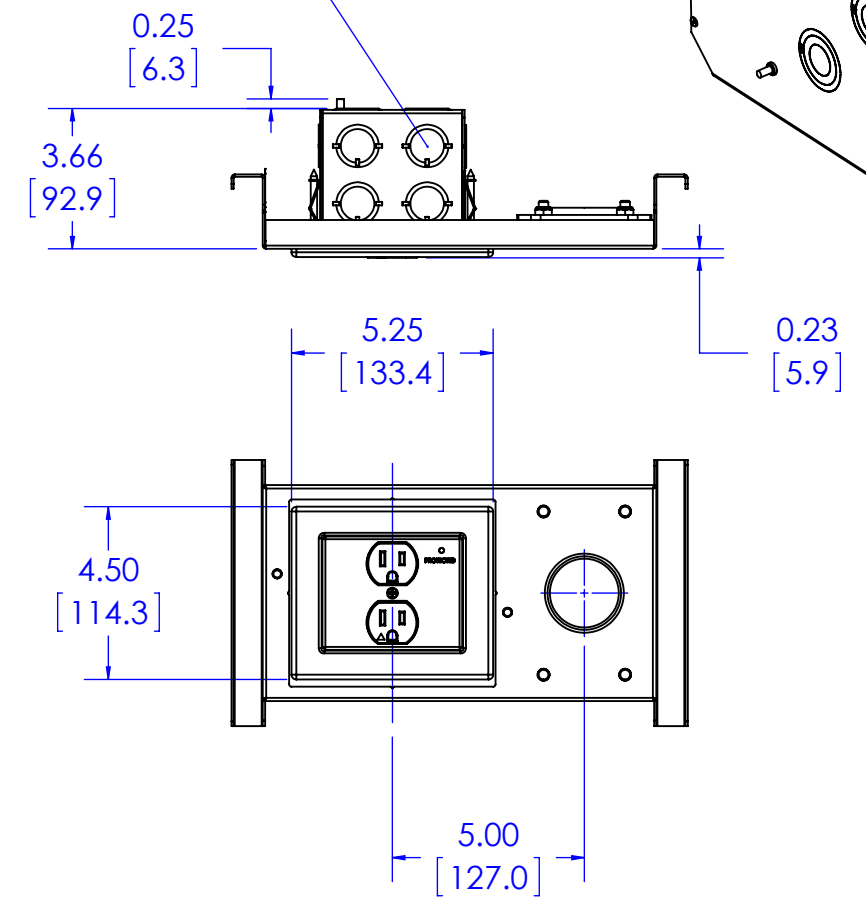
THE INFORMATION AND DESIGNS CONTAINED IN THIS DRAWING ARE CONFIDENTIAL AND THE PROPRIETARY PROPERTY OF MILESTONE AV TECHNOLOGIES NEITHER THIS DESIGN NOR ANY INFORMATION CONTAINED IN THIS DRAWING MAY BE REPRODUCED OR DISCLOSED TO OTHERS WITHOUT THE EXPRESS WRITTEN CONSENT OF MILESTONE AV TECHNOLOGIES.

CAD GENERATED DRAWING, DO NOT MANUALLY UPDATE.				6436 CITY WEST PKWY EDEN PRAIRIE MN, 55344 PHONE: 866-977-3901 FAX: 877-894-6918	
DRAWN BY	MM	8/18/2015		DESCRIPTION <b>1X2 POWERED CEILING STORAGE BOX</b>	
ENG APPROVAL			MODEL NO. <b>CMS491P2 / CMS491CP2</b>		
MFG APPROVAL			SIZE DWG. NO. <b>B TECH-000722</b>		
QA APPROVAL			REV. <b>01</b>		
SHEET 1 OF 2			SCALE <b>1:5</b>		

**\*SEE CMS491C FOR BOX DIMENSIONS\***



1/2"-3/4" CONDUIT KNOCKOUTS (16)



- AC LINE POWER CONDITIONER 125 V~, 60 Hz, 15 A**
- 4x14 AWG STRANDED WIRE W/ ISOLATED GROUND**
- SURGE PROTECTION**
- EMI/RFI FILTERING**
- POWER CONSUMPTION: <0.5 WATT**

**THE INFORMATION AND DESIGNS CONTAINED IN THIS DRAWING ARE CONFIDENTIAL AND THE PROPRIETARY PROPERTY OF MILESTONE AV TECHNOLOGIES NEITHER THIS DESIGN NOR ANY INFORMATION CONTAINED IN THIS DRAWING MAY BE REPRODUCED OR DISCLOSED TO OTHERS WITHOUT THE EXPRESS WRITTEN CONSENT OF MILESTONE AV TECHNOLOGIES.**

CAD GENERATED DRAWING, DO NOT MANUALLY UPDATE.			6436 CITY WEST PKWY EDEN PRAIRIE MN, 55344 PHONE: 866-977-3901 FAX: 877-894-6918
DRAWN BY	MM	8/18/2015	
ENG APPROVAL			DESCRIPTION
MFG APPROVAL			<b>1X2 POWERED CEILING STORAGE BOX</b>
QA APPROVAL			MODEL NO.
SHEET 2 OF 2			CMS491P2 / CMS491CP2 SIZE DWG. NO. TECH-000722 REV. 01