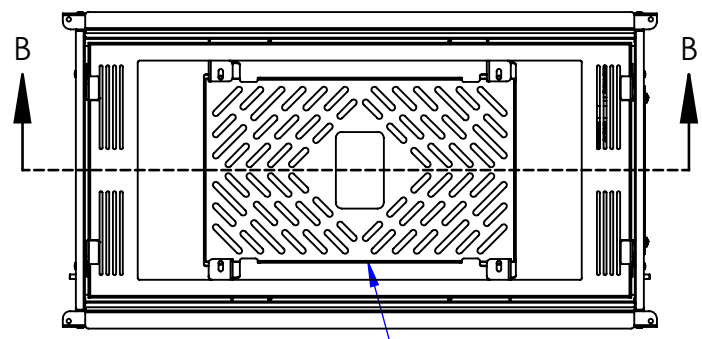
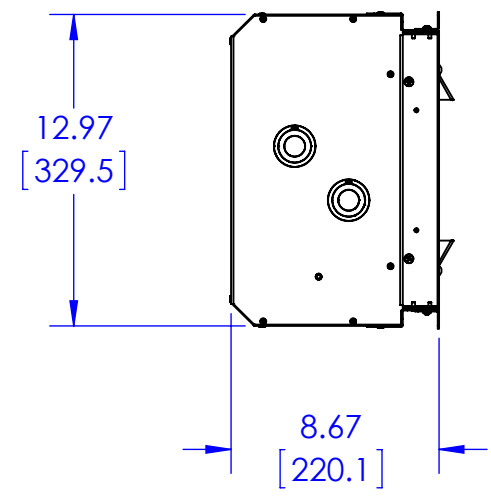
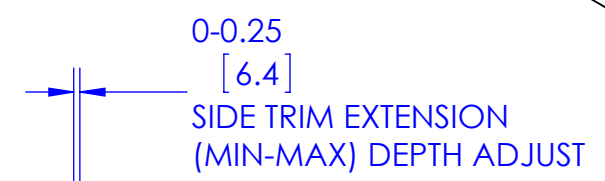
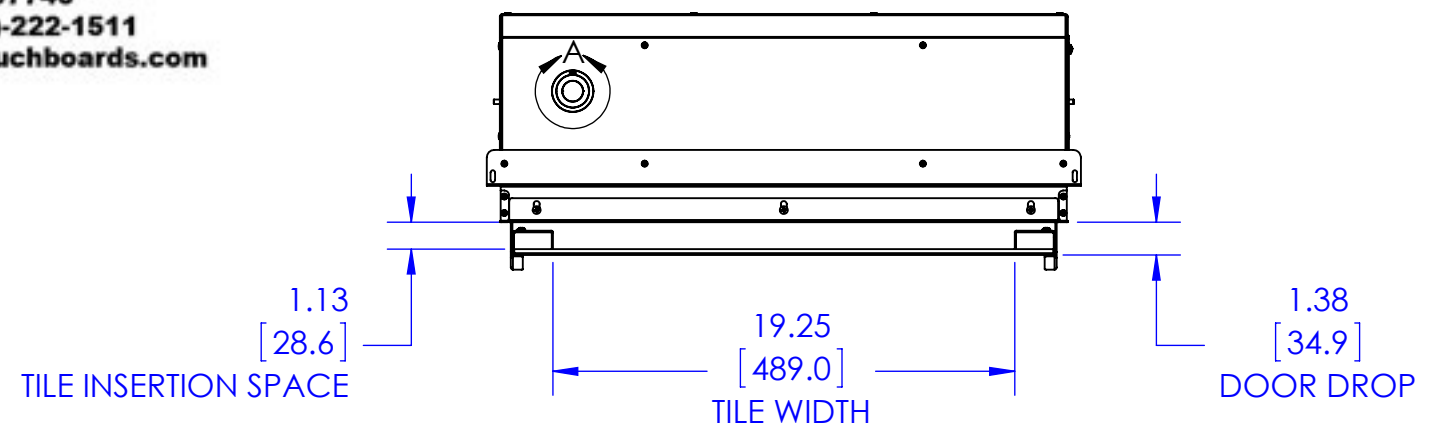
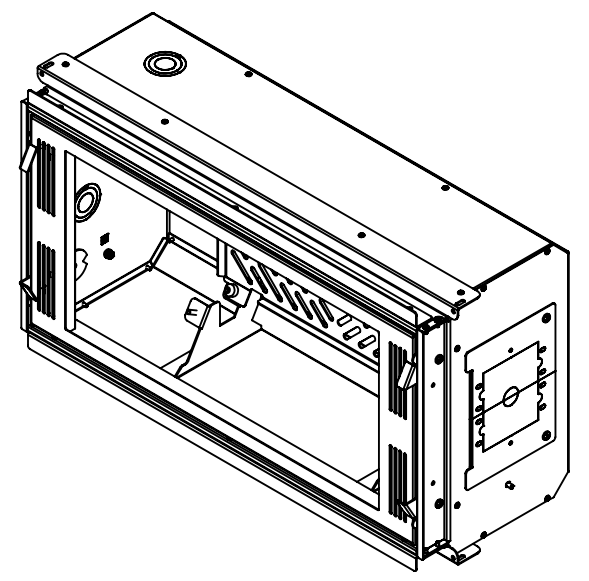


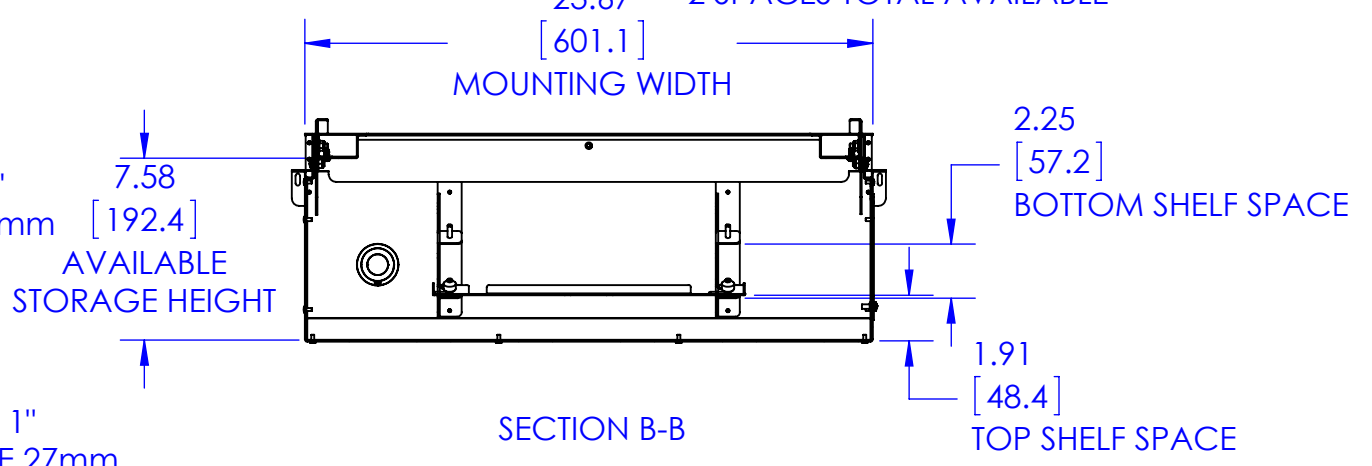
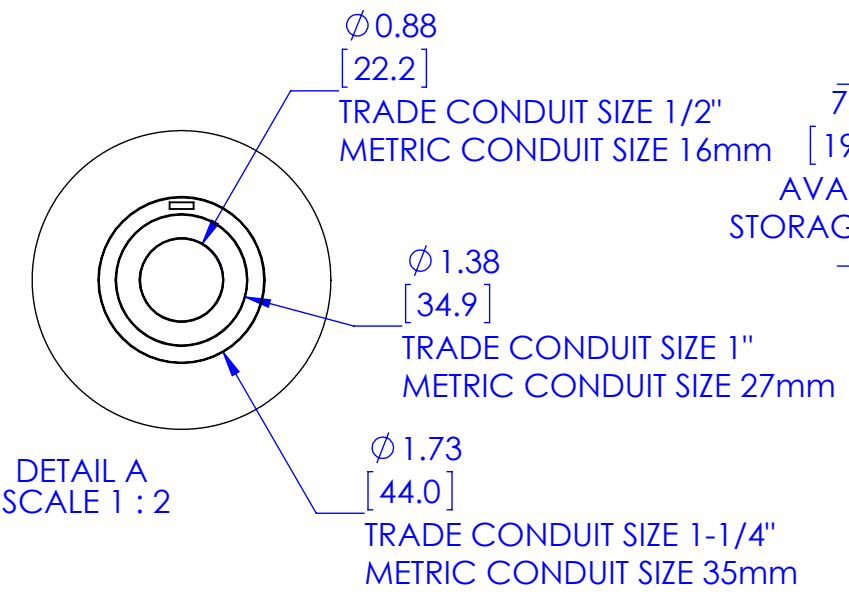


205 Westwood Ave, Long Branch, NJ 07740
 Phone: 866-94 BOARDS (26273) / (732)-222-1511
 Fax: (732)-222-7088 | E-mail: sales@touchboards.com



1 REMOVABLE SHELF INCLUDED
 2 SPACES TOTAL AVAILABLE

ELECTRICAL INSTALL PLATE SPACE FOR
 1. A SINGLE GANG OUTLET
 2. DUAL GANG OUTLET
 3. PASS THROUGH FOR DUAL GANG OUTLET ATTACHED TO 1/2" CONDUIT



THE INFORMATION AND DESIGNS CONTAINED IN THIS DRAWING ARE CONFIDENTIAL AND THE PROPRIETARY PROPERTY OF MILESTONE AV TECHNOLOGIES NEITHER THIS DESIGN NOR ANY INFORMATION CONTAINED IN THIS DRAWING MAY BE REPRODUCED OR DISCLOSED TO OTHERS WITHOUT THE EXPRESS WRITTEN CONSENT OF MILESTONE AV TECHNOLOGIES.

CAD GENERATED DRAWING, DO NOT MANUALLY UPDATE.		6436 CITY WEST PKWY EDEN PRAIRIE MN, 55344 PHONE: 866-977-3901 FAX: 877-894-6918
DRAWN BY	HEF 3/25/2014	
ENG APPROVAL		DESCRIPTION 1 X 2 CEILING ENCLOSURE
MFG APPROVAL		MODEL NO. CMS491
QA APPROVAL		SCALE 1:8
SHEET 1 OF 1		SIZE B
		DWG. NO. TECH-000572
		REV. 00