

# CMS SERIES COLUMNS

## Fixed and Adjustable Length Columns

### DISCLAIMER

Milestone AV Technologies and its affiliated corporations and subsidiaries (collectively "Milestone"), intend to make this manual accurate and complete. However, Milestone makes no claim that the information contained herein covers all details, conditions or variations, nor does it provide for every possible contingency in connection with the installation or use of this product. The information contained in this document is subject to change without notice or obligation of any kind. Milestone makes no representation of warranty, expressed or implied, regarding the information contained herein. Milestone assumes no responsibility for accuracy, completeness or sufficiency of the information contained in this document.

Chief® is a registered trademark of Milestone AV Technologies. All rights reserved.

### IMPORTANT SAFETY INSTRUCTIONS

**WARNING:** A WARNING alerts you to the possibility of serious injury or death if you do not follow the instructions.

**CAUTION:** A CAUTION alerts you to the possibility of damage or destruction of equipment if you do not follow the corresponding instructions.

**WARNING:** Failure to read, thoroughly understand, and follow all instructions can result in serious personal injury, damage to equipment, or voiding of factory warranty! It is the installer's responsibility to make sure all components are properly assembled and installed using the instructions provided

**WARNING:** Failure to provide adequate structural strength for this component can result in serious personal injury or damage to equipment! It is the installer's responsibility to make sure the structure to which this component is attached can support five times the combined weight of all equipment. Reinforce the structure as required before installing the component.

**WARNING:** Exceeding the weight capacity can result in serious personal injury or damage to equipment! It is the installer's responsibility to make sure the combined weight of all components attached to the CMS Series Extension Column does not exceed 500 lbs (226 kg).

- The weight capacity of the CMS Series Extension Columns may be LIMITED to the lowest weight capacity of any other component or accessory used within the mounting system.

**WARNING:** Do not use this product outdoors.


**WARNING:** Use this mounting system only for its intended use as described in these instructions. Do not use attachments not recommended by the manufacturer.

**WARNING:** Never operate this mounting system if it is damaged. Return the mounting system to a service center for examination and repair.

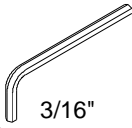
**NOTE:** Chief CMS Series extension columns are Listed for use with all Listed Chief ceiling plates and mounts specified for use with 1-1/2" NPT following ANSI/ASME B1.20.1 (Schedule 40, 0.154" minimum thickness, steel or aluminum - ASTM B221) extension columns. CMS Series extension columns are suitable for a maximum 500 lbs (226 kg).

### --SAVE THESE INSTRUCTIONS--

#### TOOLS REQUIRED




5/32" - security  
(included with adjustable columns)



3/16"  
(included with adjustable columns)

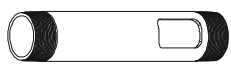
---

#### PARTS



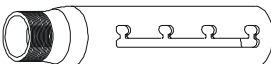
A (1)  
[CMS adjustable length]

OR

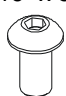


A (1)  
[CMS fixed length]


**NOTE:** Parts B-J are only included with adjustable length columns.



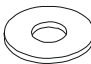
B (1)




C (1)  
5/16" x 5/8"



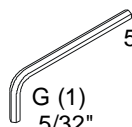
D (1)  
5/16"



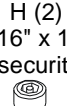
E (1)  
5/16"



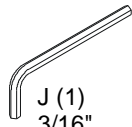
F (2)  
5/16" x 1/4"



G (1)  
5/32"  
(security)



H (2)  
5/16" x 1/4"  
(security)



J (1)  
3/16"

## FIXED LENGTH EXTENSION COLUMN

**IMPORTANT ! :** The following procedure assumes that the ceiling plate/adapter (not included) has been properly installed following instructions provided with ceiling plate/adapter.

**NOTE:** Intended for use with Chief accessories and mounts.

1. Install 1-1/2" NPT threaded column (A) into plate/adapter (See Figure 1). Securely tighten column.
  - Ensure column (A) engages four full threads into plate/adapter.
  - Ensure cable access opening is rotated to desired position (optional installation).

**NOTE:** Cable access opening provided on columns 9" or longer (229mm) in length. Optional installation used when cables must exit *below* plate/adapter.

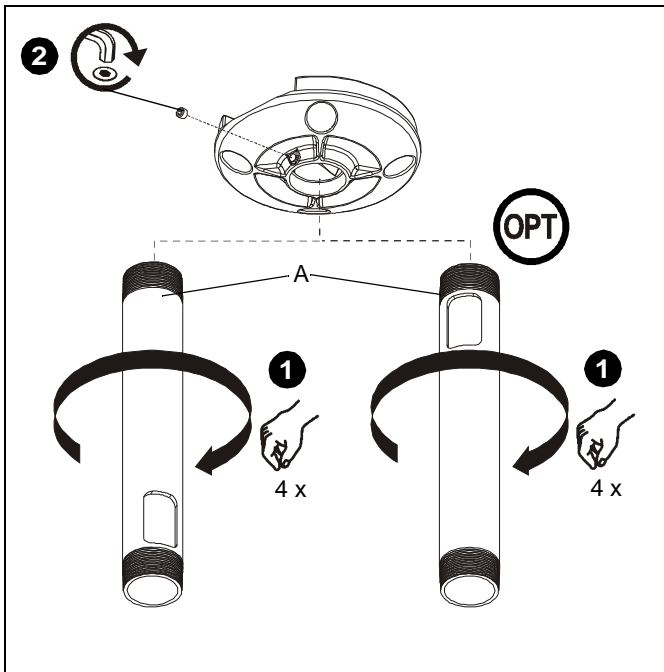


Figure 1

2. Secure column (A) by tightening set screw in plate/adapter (See Figure 1).

**NOTE:** Hex key and set screw provided with plate/adapter.



**WARNING:** Exceeding the weight capacity can result in serious personal injury or damage to equipment! It is the installer's responsibility to make sure the combined weight of all components attached to the CMS Series Extension Column does not exceed 500 lbs (226 kg).

- The weight capacity of the CMS Series Extension Columns may be LIMITED to the lowest weight capacity of any other component or accessory used within the mounting system.
3. Install and secure projector/display mount (not included) to lower end of column (A) following instructions included with mount.

## ADJUSTABLE LENGTH EXTENSION COLUMN

**IMPORTANT ! :** The following procedure assumes that the ceiling plate/adapter (not included) has been properly installed following instructions provided with ceiling plate/adapter.

**NOTE:** Intended for use with Chief accessories and mounts.

1. Install 1-1/2" NPT threaded column (A or B, as applicable) into plate/adapter (See Figure 2). Securely tighten column.
  - Ensure column (A or B, as applicable) engages four full threads into plate/adapter.
  - Ensure cable access opening is rotated to desired position (optional installation, column (A)).

**NOTE:** Cable access opening provided on columns 9" or longer (229mm) in length. Optional installation used when cables must exit below plate/adapter.

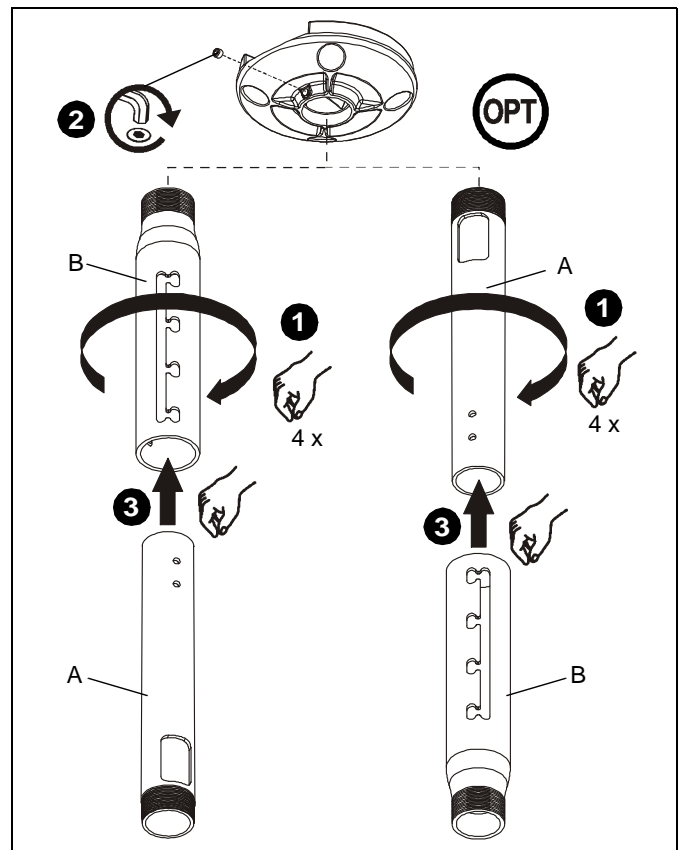


Figure 2

2. Secure column (A or B, as applicable) by tightening set screw in plate/adapter (See Figure 2).

**NOTE:** Hex key and set screw provided with plate/adapter.

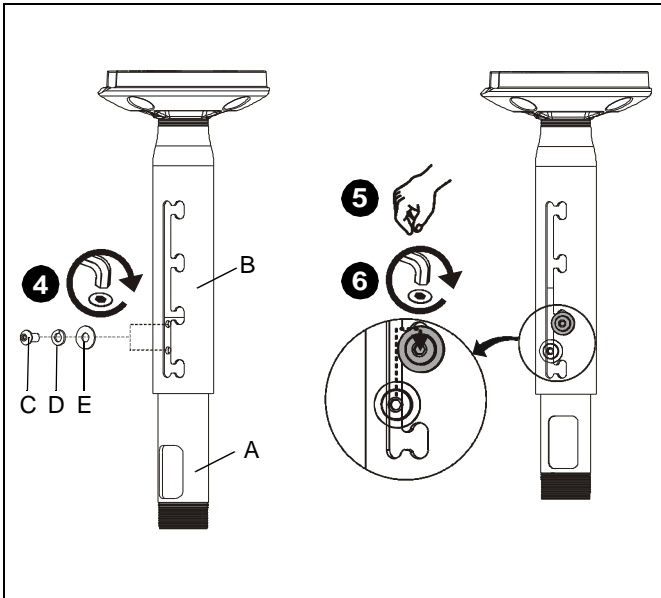
3. Install mating column (A or B, as applicable) (See Figure 2).

## Installation Instructions

- Using key (J), loosely install screw (C) through lock washer (D), flat washer (E), and outer column (B) into adjustment hole in inner column (A) (See Figure 3).

**NOTE:** Two adjustment holes provided in columns 6" or longer (152mm) in length. Either adjustment hole can be used to provide 1" (25mm) adjustment increments.

**NOTE:** Optional installation similar; not shown.



**Figure 3**

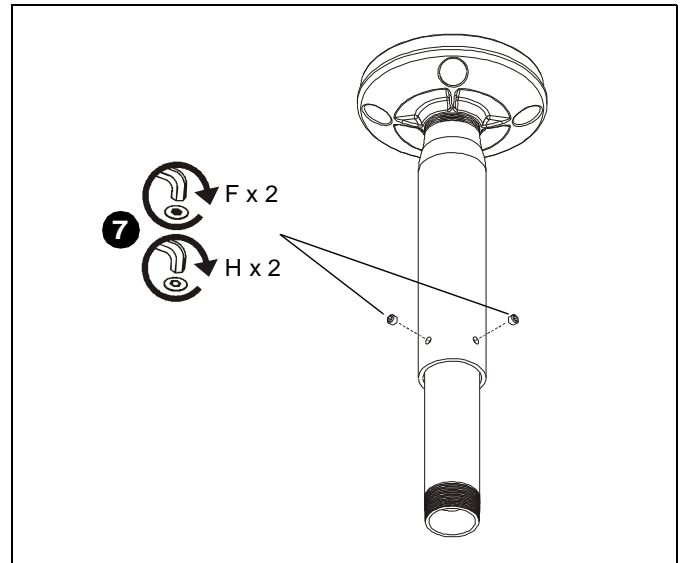
- Adjust column (A or B, as applicable) to desired length, then rotate and lock into position (See Figure 3).

**NOTE:** Any locking slot can be used to provide 2" (51mm) adjustment increments.

- Tighten screw (C) using key (J) (See Figure 3).

- Install and tighten set screws (standard (F) or security (H), as desired) using key (G) (See Figure 4).

**NOTE:** Optional installation similar; not shown.



**Figure 4**



**WARNING:** Exceeding the weight capacity can result in serious personal injury or damage to equipment! It is the installer's responsibility to make sure the combined weight of all components attached to the CMS Series Extension Column does not exceed 500 lbs (226 kg).

- The weight capacity of the CMS Series Extension Columns may be LIMITED to the lowest weight capacity of any other component or accessory used within the mounting system.
- Install and secure projector/display mount (not included) to lower end of column (A or B, as applicable) following instructions included with mount.



Our Mounts. **Your Vision.**

Chief, a products division of  
Milestone AV Technologies

8800-002605 Rev00  
©2014 Milestone AV Technologies  
[www.chiefmfg.com](http://www.chiefmfg.com)  
05/14

**USA/International** A 6436 City West Parkway, Eden Prairie, MN 55344  
P 800.582.6480 / 952.225.6000  
F 877.894.6918 / 952.894.6918

**Europe** A Franklinstraat 14, 6003 DK Weert, Netherlands  
P +31 (0) 495 580 852  
F +31 (0) 495 580 845

**Asia Pacific** A Office No. 918 on 9/F, Shatin Galleria  
18-24 Shan Mei Street  
Fotan, Shatin, Hong Kong  
P 852 2145 4099  
F 852 2145 4477

