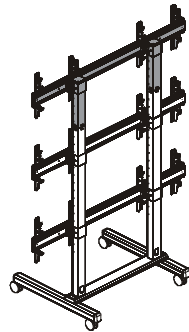
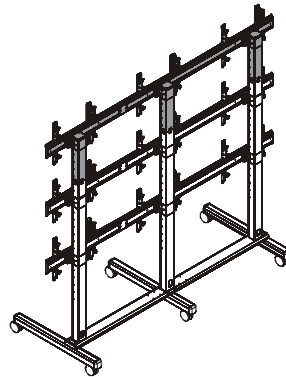
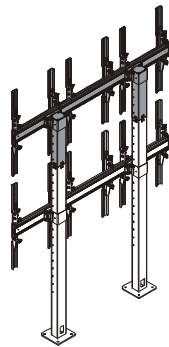

INSTALLATION INSTRUCTIONS



FCA2X1U



FCA3X1U



FCA3X1UP

Video Wall Add-On Accessories

DISCLAIMER

Milestone AV Technologies and its affiliated corporations and subsidiaries (collectively “Milestone”), intend to make this manual accurate and complete. However, Milestone makes no claim that the information contained herein covers all details, conditions or variations, nor does it provide for every possible contingency in connection with the installation or use of this product. The information contained in this document is subject to change without notice or obligation of any kind. Milestone makes no representation of warranty, expressed or implied, regarding the information contained herein. Milestone assumes no responsibility for accuracy, completeness or sufficiency of the information contained in this document.

Chief® is a registered trademark of Milestone AV Technologies. All rights reserved.

! IMPORTANT SAFETY INSTRUCTIONS

! WARNING: A WARNING alerts you to the possibility of serious injury or death if you do not follow the instructions.

! CAUTION: A CAUTION alerts you to the possibility of damage or destruction of equipment if you do not follow the corresponding instructions.

! WARNING: Failure to read, thoroughly understand, and follow all instructions can result in serious personal injury, damage to equipment, or voiding of factory warranty! It is the installer’s responsibility to make sure all components are properly assembled and installed using the instructions provided.

! WARNING: Failure to provide adequate structural strength for this component can result in serious personal injury or damage to equipment! It is the installer’s responsibility to make sure the structure to which this component is attached can support five times the combined weight of all equipment. Reinforce the structure as required before installing the component.

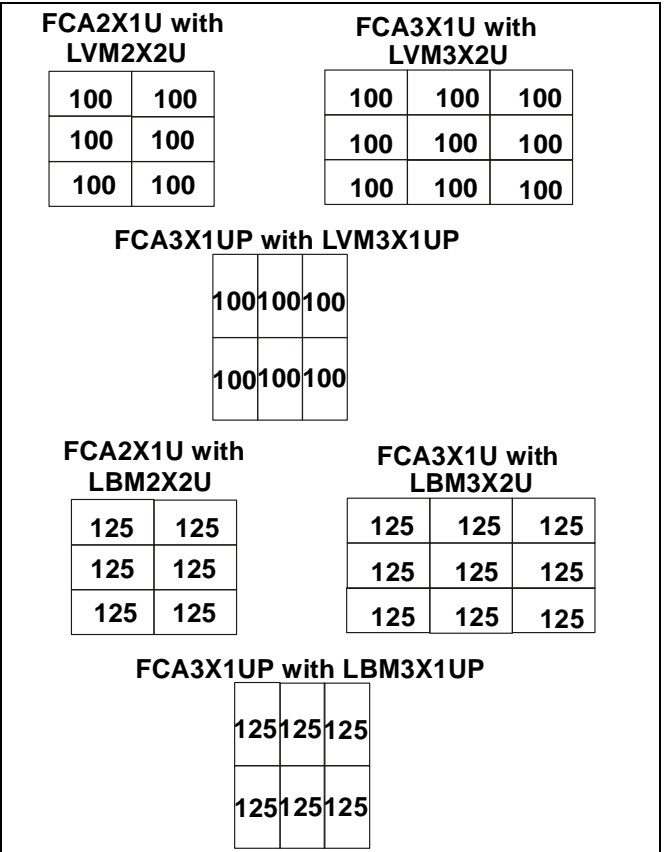
! WARNING: Do NOT stack multiple accessories on the same display cart! Do NOT connect accessories to carts that are already three display high. Display carts may NOT be stacked higher than three displays high! Portrait versions may NOT be stacked higher than two displays high!

! WARNING: RISK OF SERIOUS INJURY OR DEATH! Placing a remote control or toy on the cart may encourage a child to climb onto the cart causing the cart to tip over onto the child. DO NOT place remote controls or toys on the cart!

! WARNING: RISK OF SERIOUS INJURY OR DEATH! Relocating audio and/or video equipment to the cart may result in the cart collapsing or overturning onto a child. DO NOT relocate audio and/or video equipment to the cart!

! WARNING: Exceeding the weight capacity can result in serious personal injury or damage to equipment! It is the installer’s responsibility to make sure the combined weight of each display and attached accessories does not exceed the limits listed below.

MODEL	Max Weight Allowed for EACH Display	Total Max Weight Capacity of Mounting System w/ Accessory
FCA2X1U with LVM2x2U	100 lbs (45.4 kg)	600 lbs (272.2 kg)
FCA3X1U with LVM3x2U	100 lbs (45.4 kg)	900 lbs (408.2 kg)
FCA3X1UP with LVM3x1UP	100 lbs (45.4 kg)	600 lbs (272.2 kg)
FCA2X1U with LBM2x2U	125 lbs (56.7 kg)	900 lbs (408.2 kg)
FCA3X1U with LBM3x2U	125 lbs (56.7 kg)	1125 lbs (510.3 kg)
FCA3X1UP with LBM3x1UP	125 lbs (56.7 kg)	900 lbs (408.2 kg)





WARNING: RISK OF SERIOUS INJURY OR DEATH! Use with televisions weighing more than the maximum weight indicated may result in the cart collapsing or overturning onto a person causing serious injury or death!



WARNING: Do not use this product outdoors.

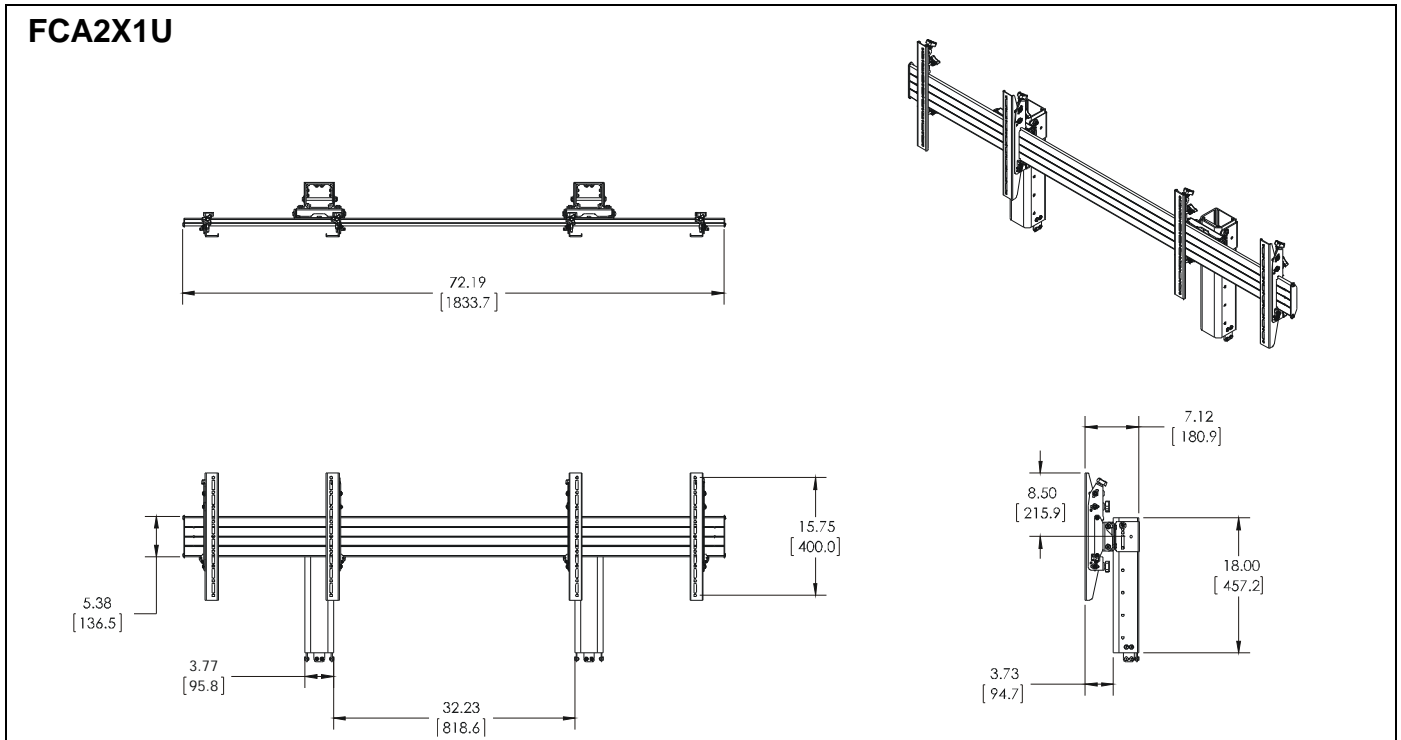
NOTE: The FCA2X1U, FCA3X1U and FCA3X1UP have no user serviceable parts.

NOTE: The UL Listed FCA add-on row may be used with the following UL Listed models: FCA2X1U may be used with LVM2X2U and LBM2X2U. FCA3X1U may be used with LVM3X2U and LBM3X2U. FCA3X1UP may be used with LVM3X1UP and LBM3X1UP.

NOTE: The UL listed FCA add-on row may be used with the UL Listed FCAX08, FCAX14 and FCAX20 horizontal extension brackets (not included).

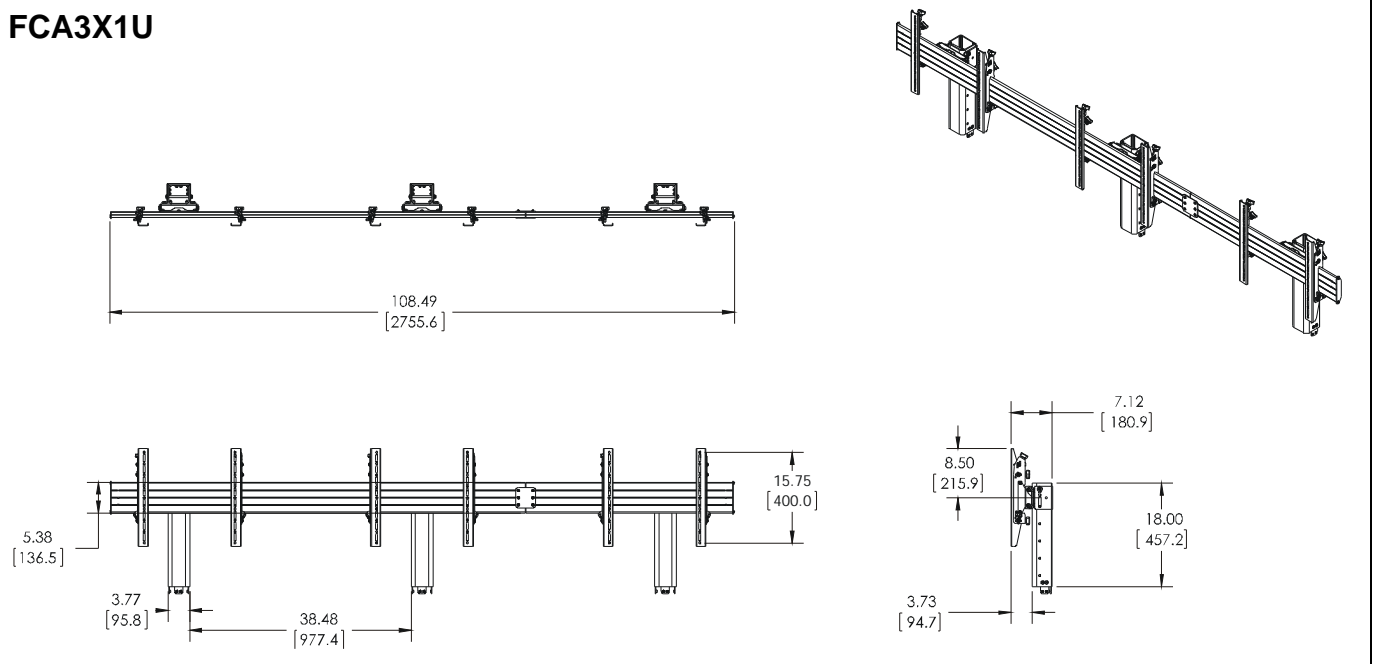
--SAVE THESE INSTRUCTIONS--

DIMENSIONS



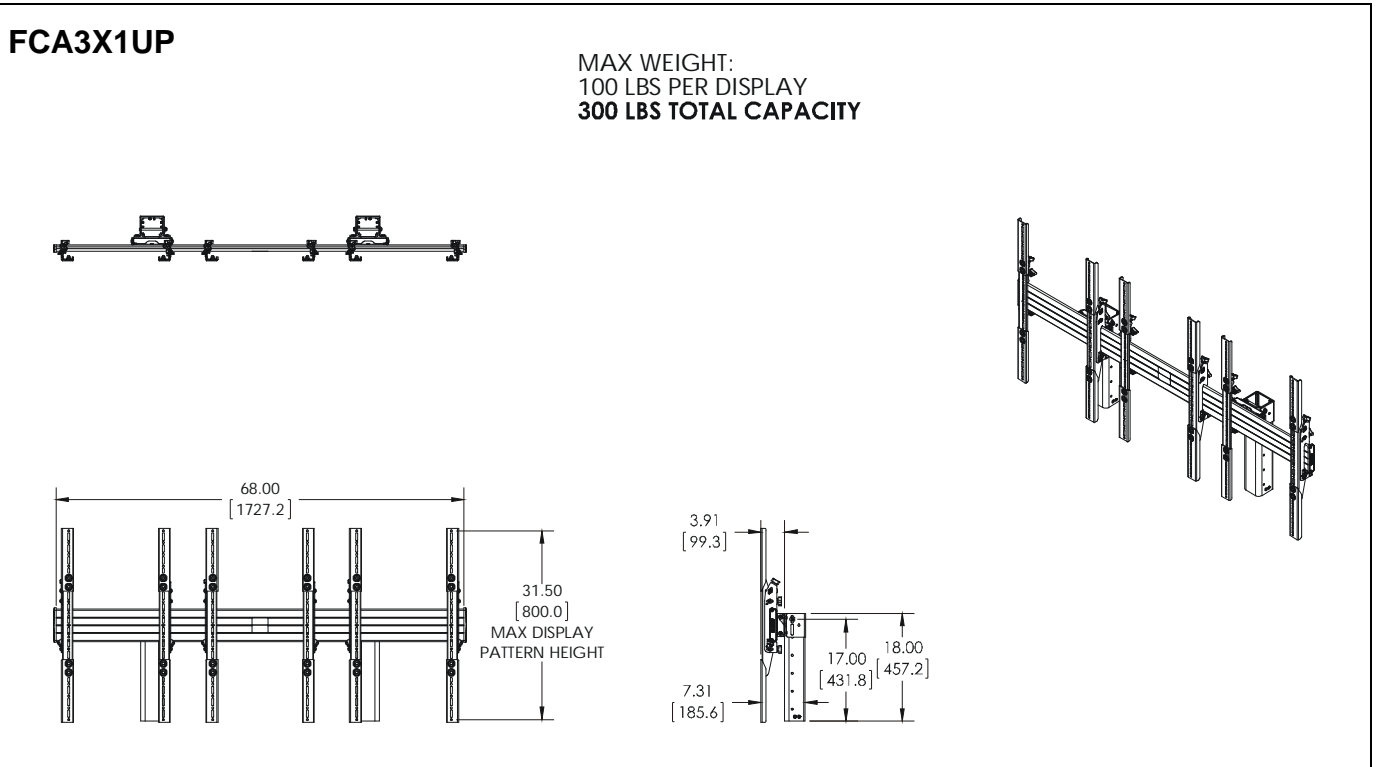
DIMENSIONS (CONTINUED)

FCA3X1U

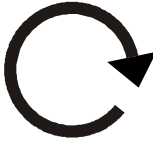

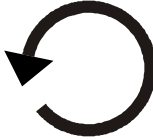











FCA3X1UP

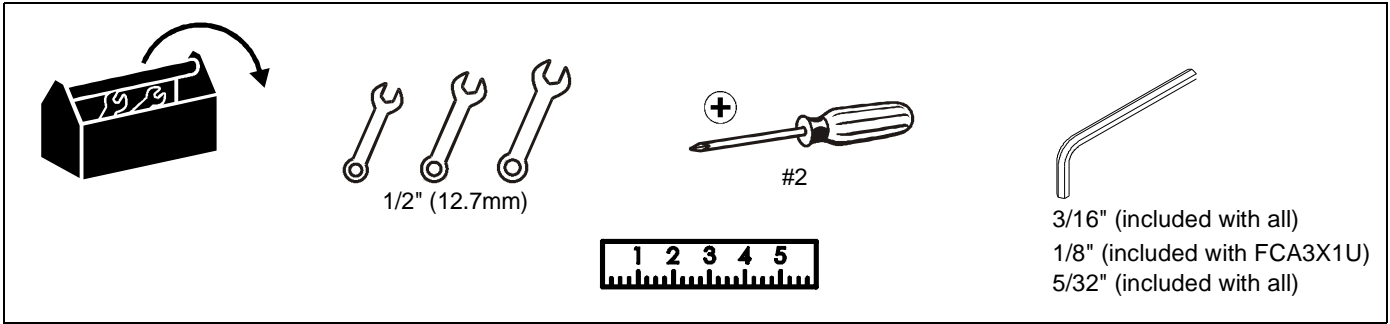
**MAX WEIGHT:
100 LBS PER DISPLAY
300 LBS TOTAL CAPACITY**



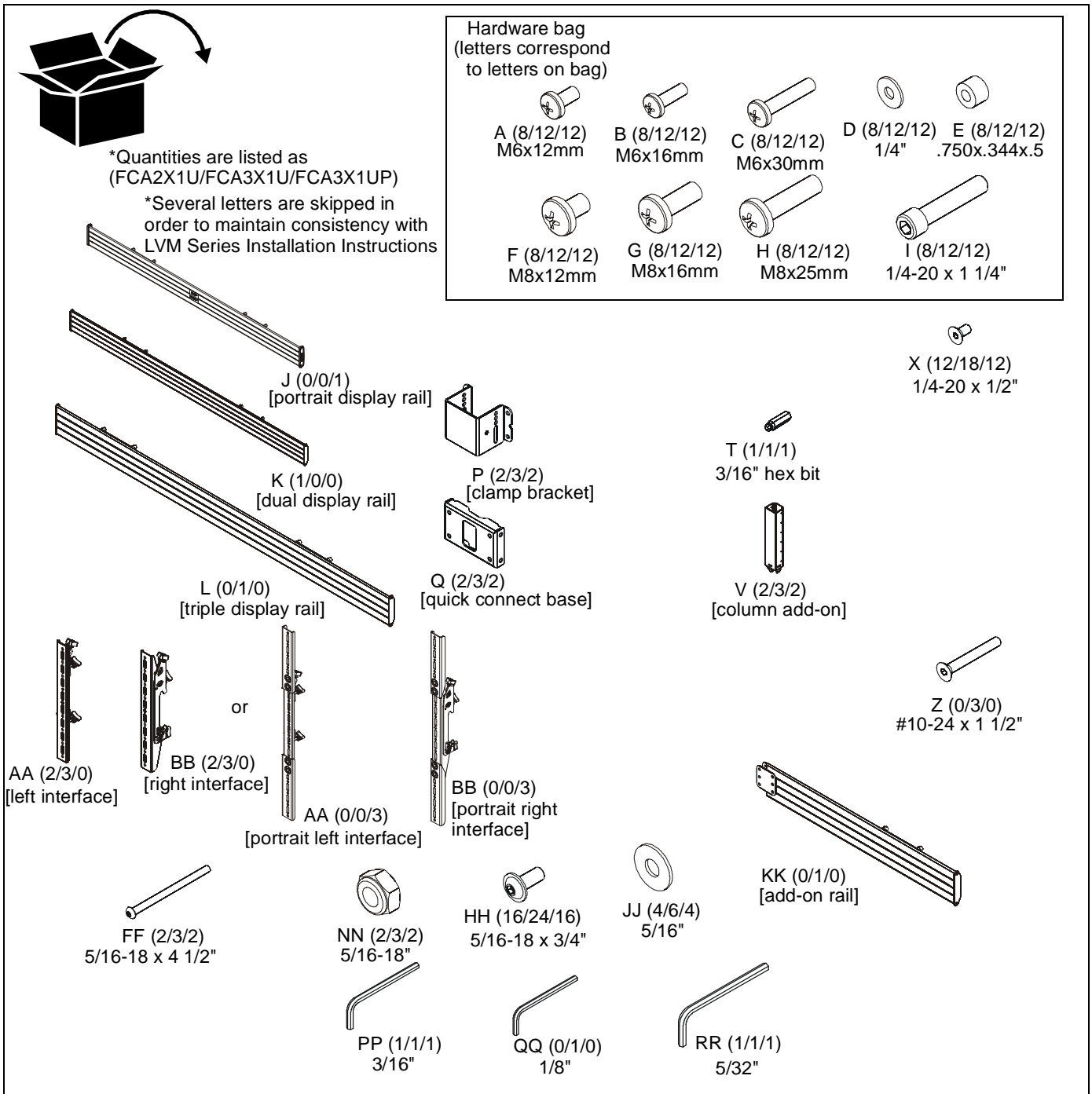
LEGEND

	Tighten Fastener Apretar elemento de fijación Befestigungsteil festziehen Apertar fixador Serrare il fissaggio Bevestiging vastdraaien Serrez les fixations		Pencil Mark Marcar con lápiz Stiftmarkierung Marcar com lápis Segno a matita Potloodmerkteken Marquage au crayon
	Loosen Fastener Aflojar elemento de fijación Befestigungsteil lösen Desapertar fixador Allentare il fissaggio Bevestiging losdraaien Desserrez les fixations		Drill Hole Perforar Bohrloch Fazer furo Praticare un foro Gat boren Percez un trou
	Phillips Screwdriver Destornillador Phillips Kreuzschlitzschraubendreher Chave de fendas Phillips Cacciavite a stella Kruiskopschroevendraaier Tournevis à pointe cruciforme		Adjust Ajustar Einstellen Ajustar Regolare Afstellen Ajuster
	Open-Ended Wrench Llave de boca Gabelschlüssel Chave de bocas Chiave a punte aperte Steeksleutel Clé à fourche		Remove Quitar Entfernen Remover Rimuovere Verwijderen Retirez
	By Hand A mano Von Hand Com a mão A mano Met de hand À la main		Optional Opcional Optional Opcional Opzionale Optie En option
	Hex-Head Wrench Llave de cabeza hexagonal Sechskantschlüssel Chave de cabeça sextavada Chiave esagonale Zeskantsleutel Clé à tête hexagonale		Security Wrench Llave de seguridad Sicherheitsschlüssel Chave de segurança Chiave di sicurezza Veiligheidsleutel Clé de sécurité

TOOLS REQUIRED FOR INSTALLATION



PARTS



Assembly And Installation

The following installation instructions assume that the LVM or LBM Series video wall has been assembled prior to the point of installing the rails to the columns. Refer to LVM or LBM Series installation instructions for details.

Column Add-On Installation

1. Insert one column add-on (V) to each column (M) making sure holes are lined up on each side. (See Figure 1)
2. Use 5/32" hex key (RR) and six 1/4-20 x 1/2" flat head cap screws (X) to secure each column add-on (V) to each column (M). (See Figure 1)

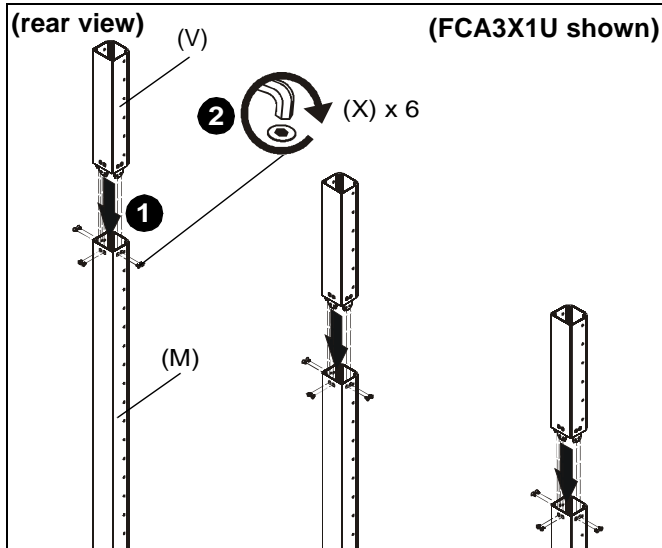


Figure 1

Rails Installation

1. Using display dimensions, determine where the center of the top displays will be on the cart.

IMPORTANT ! : Install all column add-ons (V), if applicable, prior to installing rails to columns.

2. Place clamp brackets (P) on column add-ons (V) in the position of where the center of the top displays will be on the cart with the diamond on the brackets being placed at the exact center location. (See Figure 2)

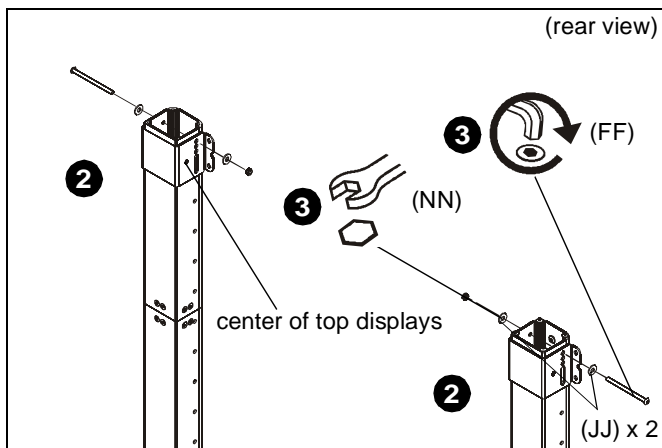


Figure 2

3. Use 5/16-18 x 4 1/2" button head cap screw (FF), two 5/16" washers (JJ) and 5/16-18" lock nut (NN) to secure each clamp bracket (P) to column. (See Figure 2)

NOTE: Clamp brackets (P) may be flipped in order to use long slots for installation if necessary. (See Figure 3)

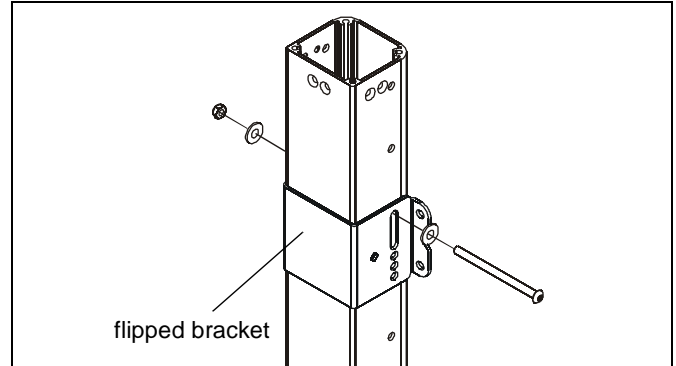


Figure 3

4. Measure one screen height down from center point on installed clamp brackets to determine mounting location of lower clamp brackets. (See Figure 4)
5. Use 5/16-18 x 4 1/2" button head cap screw (FF), two 5/16" washers (JJ) and 5/16-18" lock nut (NN) to install clamp brackets for lower displays with center diamond one screen height below center diamond of upper installed brackets. (See Figure 4)

NOTE: If some clearance is desired in between displays, install lower brackets slightly more than one screen height below upper brackets.

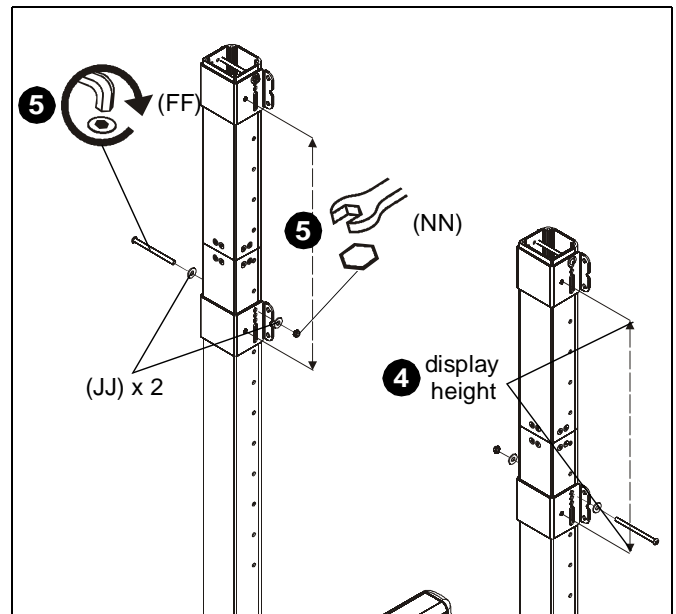


Figure 4

6. Use four 5/16-18 x 3/4" button head flange screws (HH) to secure each attached clamp bracket (P) to a quick connect base (Q). (See Figure 5)

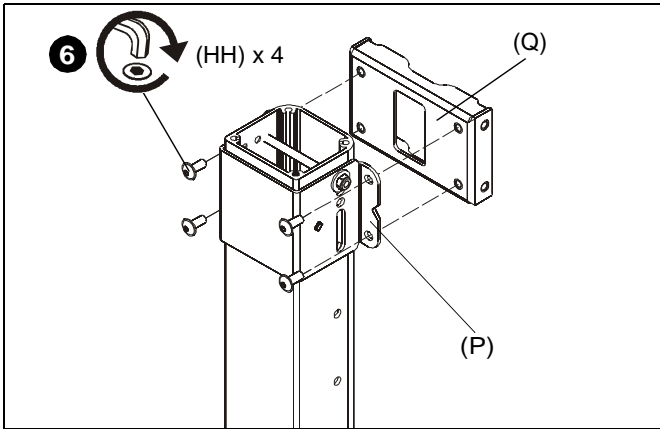


Figure 5

NOTE: If rails must be installed over cable management holes on column, cables must be routed prior to installing rails onto quick connect bases. See Cable Management section for details.

7. Install two 5/16-18 x 3/4" button head flange screws (HH) into the top holes on each quick connect base (Q). (See Figure 6)

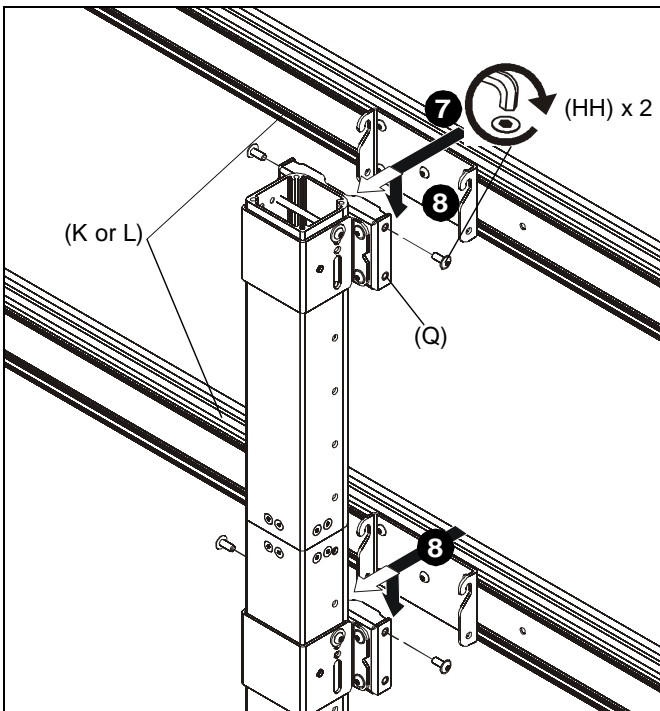


Figure 6

8. Hang rails (J, K or L) into screws installed in previous step to quick connect bases (Q). (See Figure 6)

IMPORTANT ! : If installing the triple display rail (L), install rail to left and center columns so that add-on rail can be installed to right column. See Add-On Rail Installation section for details.

9. Install two 5/16-18 x 3/4" button head flange screws (HH) into the lower holes on each quick connect base (Q) to secure rails to quick connect bases. (See Figure 7)
10. Tighten all 5/16-18 x 3/4" button head flange screws (HH).

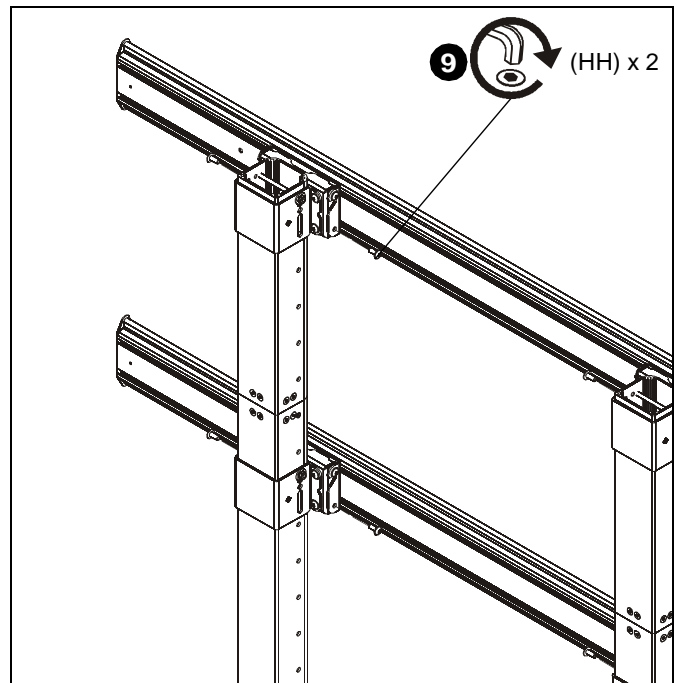


Figure 7

Add-On Rail Installation (FCA3X1 only)

1. Install add-on rail (KK) to right column following instructions in Rails Installation section.
2. Use three #10-24 x 1 1/2" flat head cap screws (Z) to attach add-on rail (KK) to display rail (L). (See Figure 8)

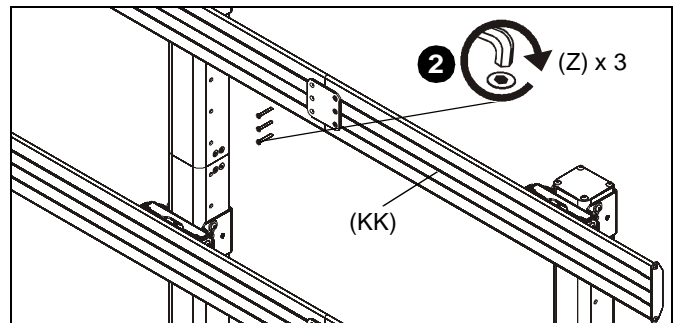


Figure 8

Complete installation of displays following LVM or LBM Series installation instructions.

IMPORTANT ! : Install displays to lower rails prior to installing displays to upper rails. See LVM or LBM Series installation instructions for further details regarding acceptable and safe mounting orders.



Our Mounts. **Your Vision.**

Chief, a products division of
Milestone AV Technologies

8800-002393 Rev01
©2014 Milestone AV Technologies
www.chiefmfg.com
05/14

USA/International	A 6436 City West Parkway, Eden Prairie, MN 55344
	P 800.582.6480 / 952.225.6000
	F 877.894.6918 / 952.894.6918
Europe	A Franklinstraat 14, 6003 DK Weert, Netherlands
	P +31 (0) 495 580 852
	F +31 (0) 495 580 845
Asia Pacific	A Office No. 918 on 9/F, Shatin Galleria 18-24 Shan Mei Street Fotan, Shatin, Hong Kong
	P 852 2145 4099
	F 852 2145 4477

