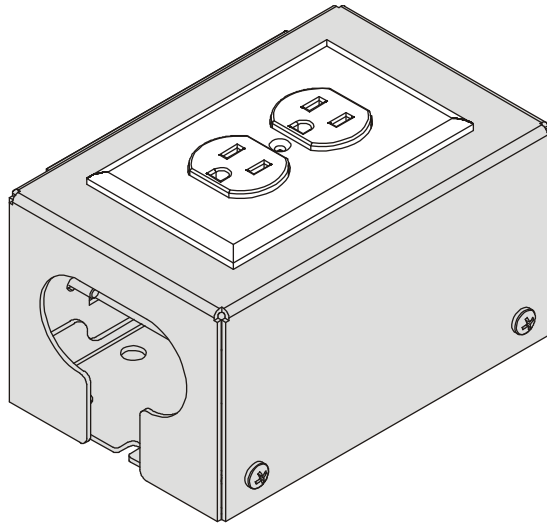

INSTALLATION INSTRUCTIONS



Outlet Box Accessory

DISCLAIMER

Milestone AV Technologies and its affiliated corporations and subsidiaries (collectively "Milestone"), intend to make this manual accurate and complete. However, Milestone makes no claim that the information contained herein covers all details, conditions or variations, nor does it provide for every possible contingency in connection with the installation or use of this product. The information contained in this document is subject to change without notice or obligation of any kind. Milestone makes no representation of warranty, expressed or implied, regarding the information contained herein. Milestone assumes no responsibility for accuracy, completeness or sufficiency of the information contained in this document.

Chief® is a registered trademark of Milestone AV Technologies. All rights reserved.

! IMPORTANT SAFETY INSTRUCTIONS

! WARNING: A WARNING alerts you to the possibility of serious injury or death if you do not follow the instructions.

! CAUTION: A CAUTION alerts you to the possibility of damage or destruction of equipment if you do not follow the corresponding instructions.

! WARNING: Failure to read, thoroughly understand, and follow all instructions can result in serious personal injury, damage to equipment, or voiding of factory warranty! It is the installer's responsibility to make sure all components are properly assembled and installed using the instructions provided.

! WARNING: Use this mounting system only for its intended use as described in these instructions. Do not use attachments not recommended by the manufacturer.

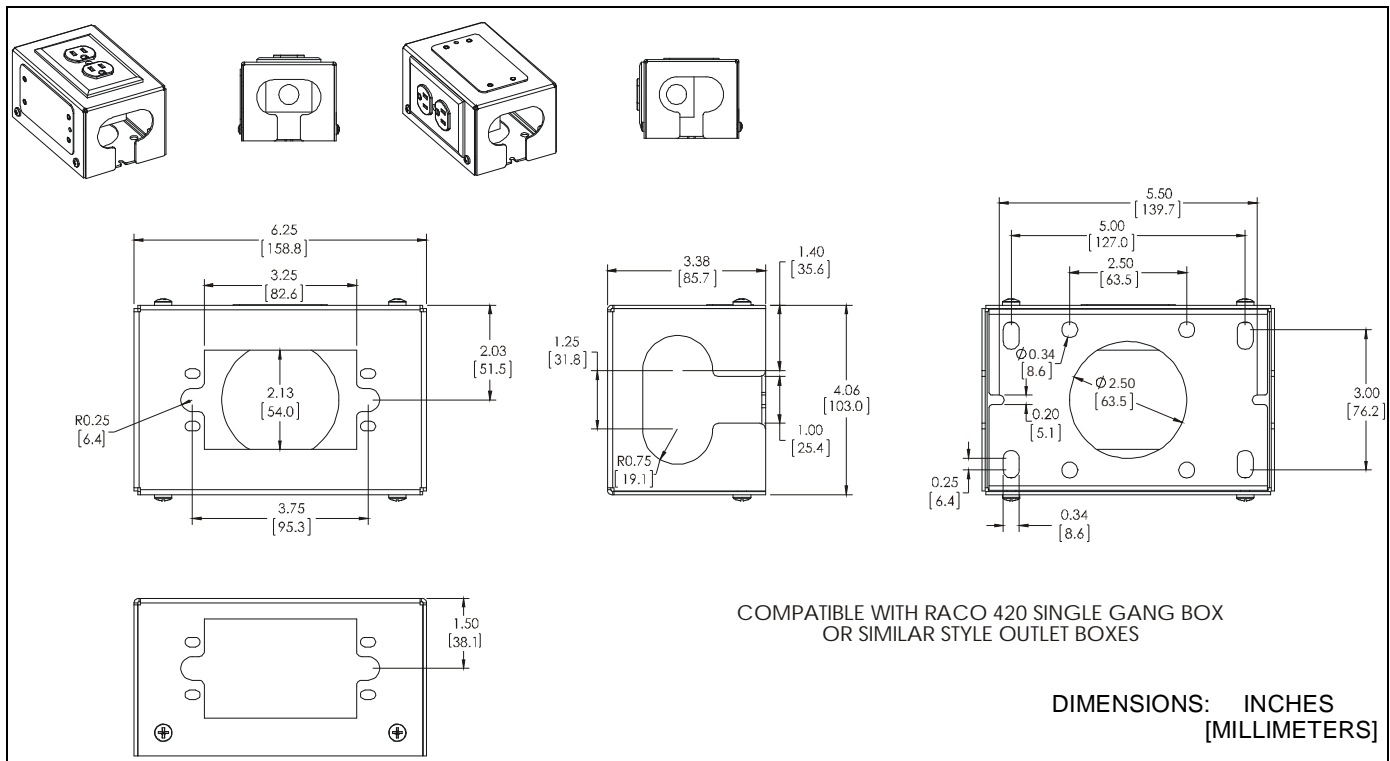
! WARNING: Never operate this mounting system if it is damaged. Return the mounting system to a service center for examination and repair.

! WARNING: Do not use this product outdoors.



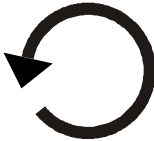

IMPORTANT ! : The FCA540 accessory is designed to be mounted to a Chief ceiling mount or array, and is compatible with Raco 420 single gang box or similar style outlet boxes.

--SAVE THESE INSTRUCTIONS--

DIMENSIONS



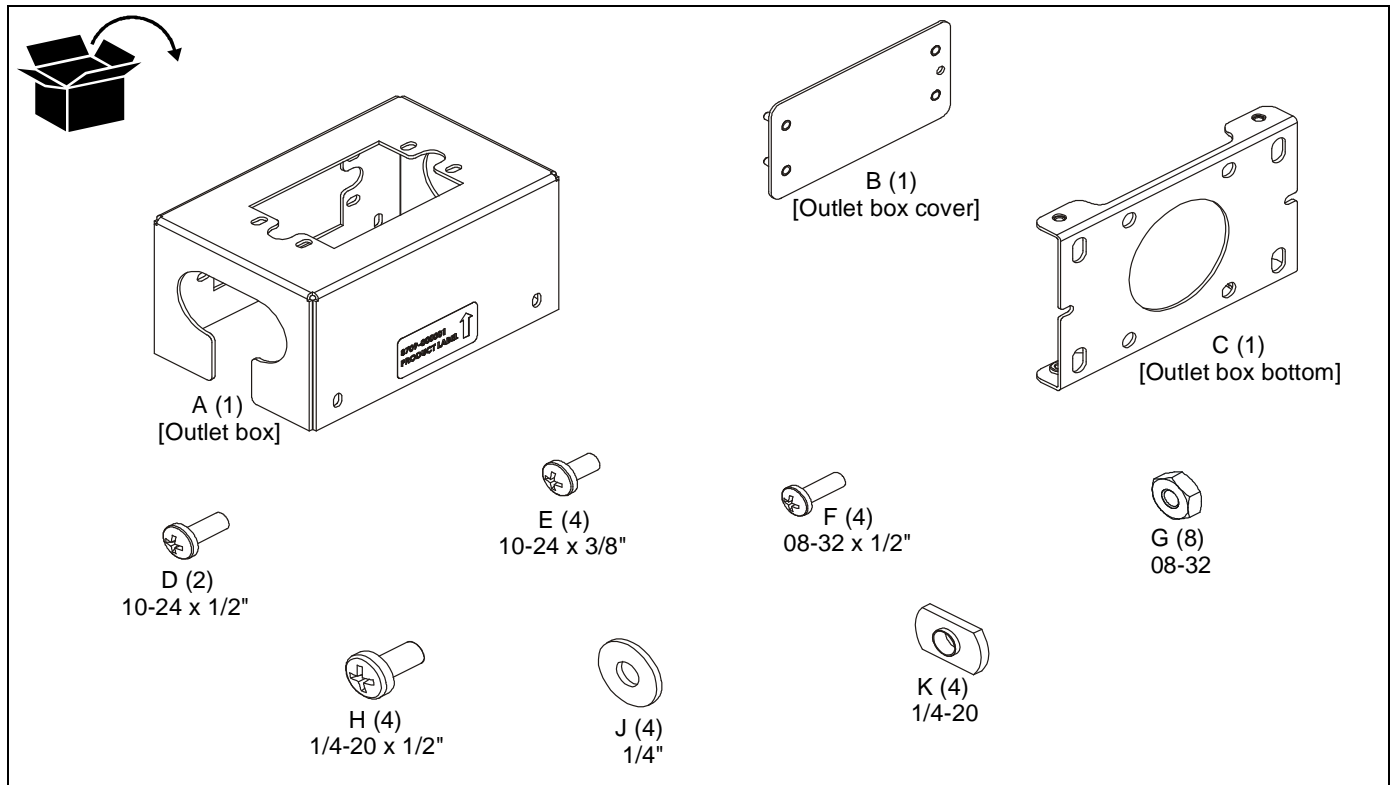
LEGEND

	Tighten Fastener		Phillips Screwdriver
	Apretar elemento de fijación		Destornillador Phillips
	Befestigungsteil festziehen		Kreuzschlitzschraubendreher
	Apertar fixador		Chave de fendas Phillips
	Serrare il fissaggio		Cacciavite a stella
	Bevestiging vastdraaien		Kruiskopschroevendraaier
Serrez les fixations	Tournevis à pointe cruciforme		
	Loosen Fastener		Open-Ended Wrench
	Aflojar elemento de fijación		Llave de boca
	Befestigungsteil lösen		Gabelschlüssel
	Desapertar fixador		Chave de bocas
	Allentare il fissaggio		Chiave a punta aperte
	Bevestiging losdraaien		Steeksleutel
Desserrez les fixations	Clé à fourche		

TOOLS REQUIRED FOR INSTALLATION



PARTS



INSTALLATION

NOTE: The FCA540 is compatible with the Chief ceiling mounts and arrays, and may be installed in a vertical or horizontal orientation. Proceed to **Attaching to Ceiling Mount** or **Attaching to Arrays** section.

Attaching to Ceiling Mount

1. Attach outlet box bottom (C) to back of ceiling mount using two 10-24 x 1/2" Phillips tapping screws (D). (See Figure 1)
2. Proceed to **Completing Installation** section.

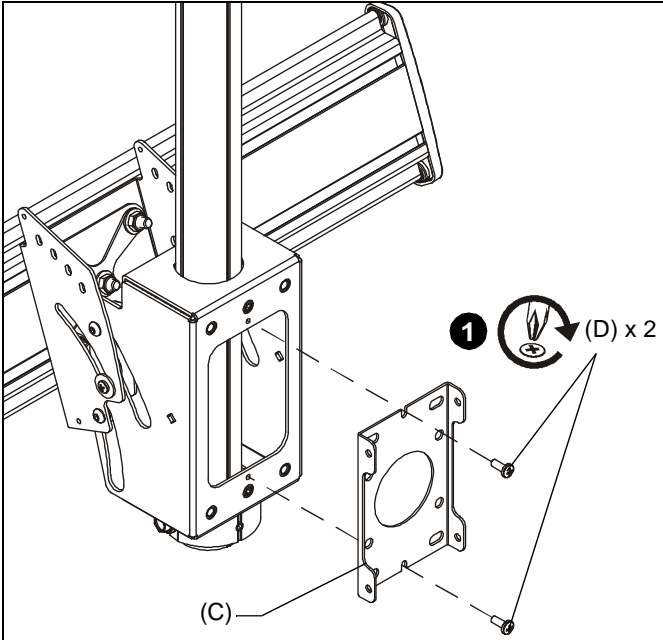


Figure 1

Attaching to Arrays

1. Insert four 1/4-20 weldnuts (K) into slot in mount rail. (See Figure 2)

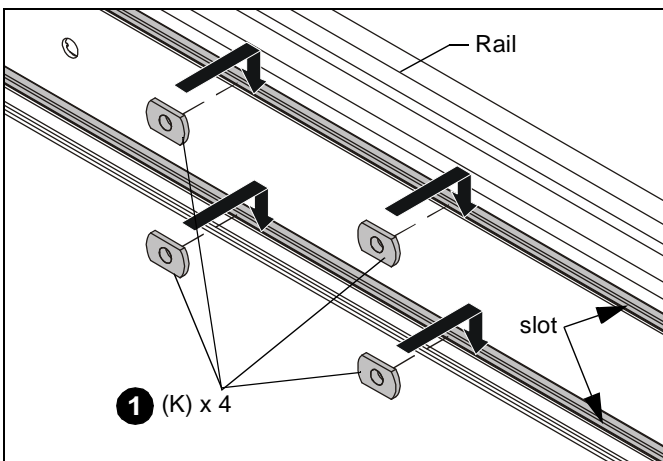


Figure 2

2. Attach outlet box bottom (C) to weld nuts (K) using four 1/4-20 x 1/2" Phillips pan head screw (H) and four 1/4" flat washers (J) into installed weldnuts (K). (See Figure 3)

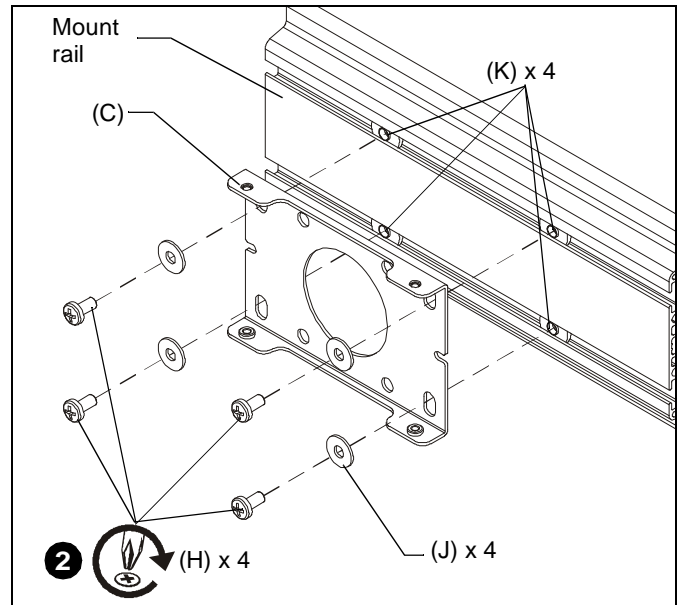


Figure 3

3. Proceed to **Completing Installation** section.

Completing Installation

1. Add outlet box cover (B) to side of outlet box (A) where outlet won't be located using four 08-32 nuts (G). (See Figure 4)

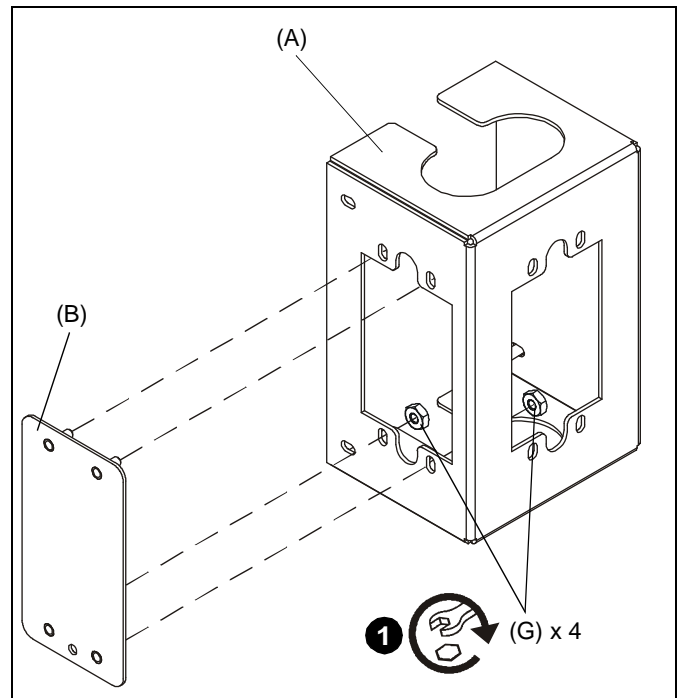


Figure 4

2. Add electrical box (not included) to outlet box (A) using four 08-32 x 1/2" Phillips cap head screws (F) and four 08-32 nuts (G). (See Figure 5)

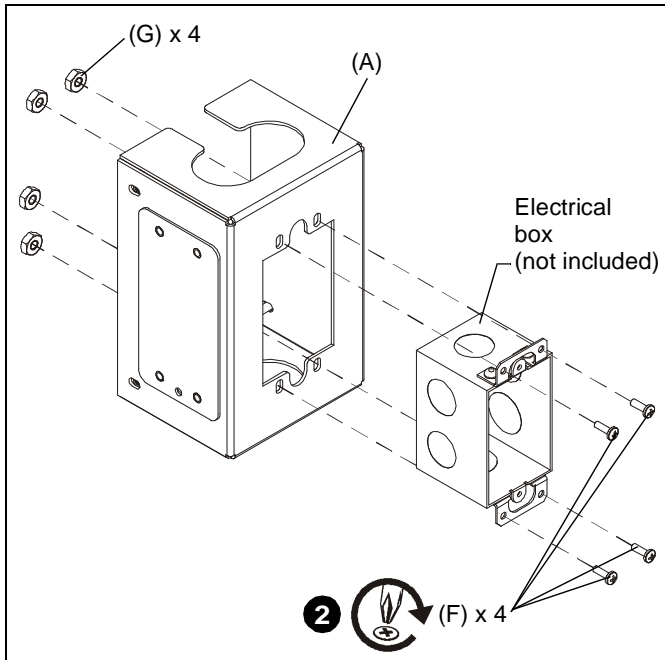


Figure 5

3. Add outlet (not included) to assembly using hardware included with outlet. (See Figure 6)
4. Add outlet cover (not included) using hardware included with outlet. (See Figure 6)

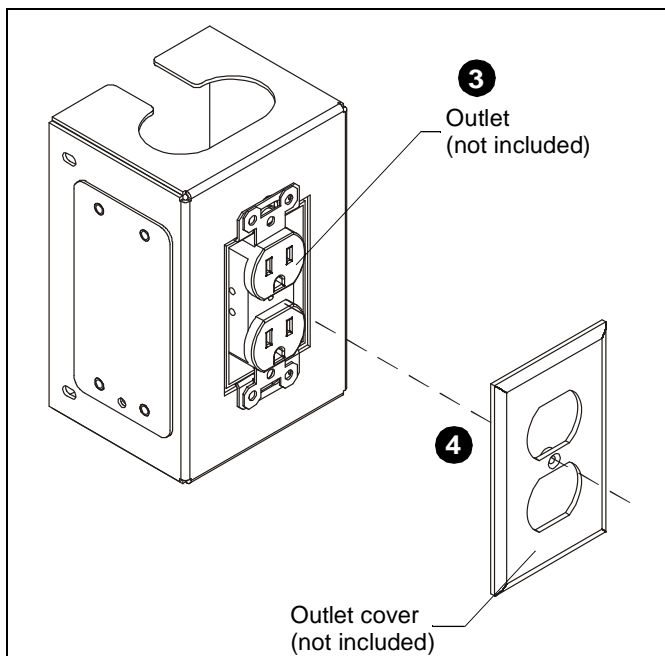
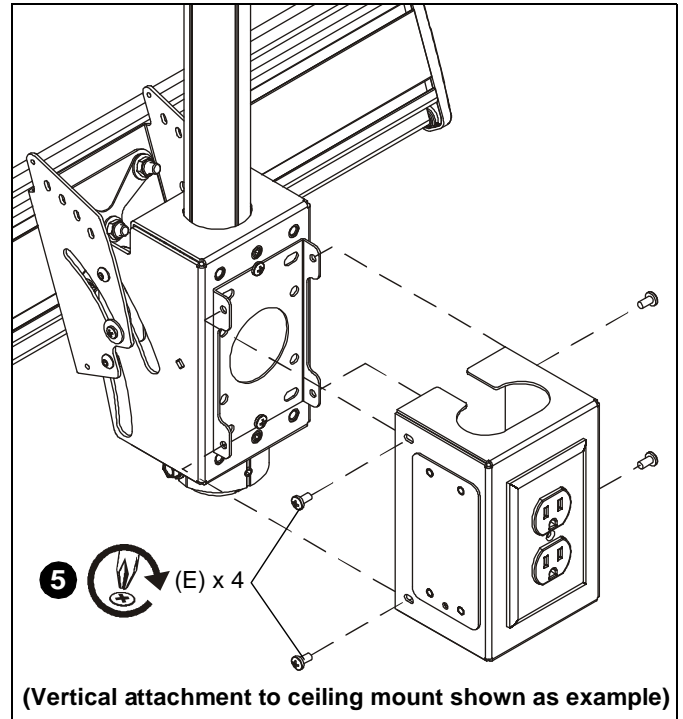


Figure 6

5. Attach outlet box assembly to the previously installed outlet box bottom using four 10-24 x 3/8" Phillips head cap screws (E). (See Figure 7)





Our Mounts. **Your Vision.**

Chief Manufacturing, a products division
of Milestone AV Technologies

8800-002266 Rev00
©2012 Milestone AV Technologies, a
Duchossois Group Company
www.chiefmfg.com
11/12

USA/International	A 6436 City West Parkway, Eden Prairie, MN 55344 P 800.582.6480 / 952.225.6000 F 877.894.6918 / 952.894.6918
Europe	A Franklinstraat 14, 6003 DK Weert, Netherlands P +31 (0) 495 580 852 F +31 (0) 495 580 845
Asia Pacific	A Office No. 1 on 12/F, Shatin Galleria 18-24 Shan Mei Street Fotan, Shatin, Hong Kong P 852 2145 4099 F 852 2145 4477

