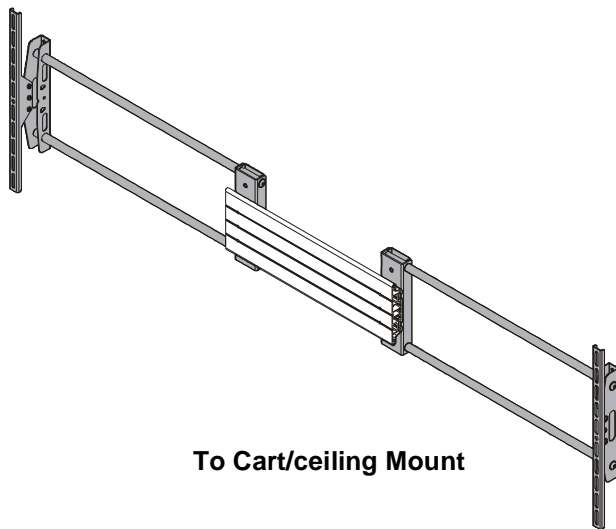
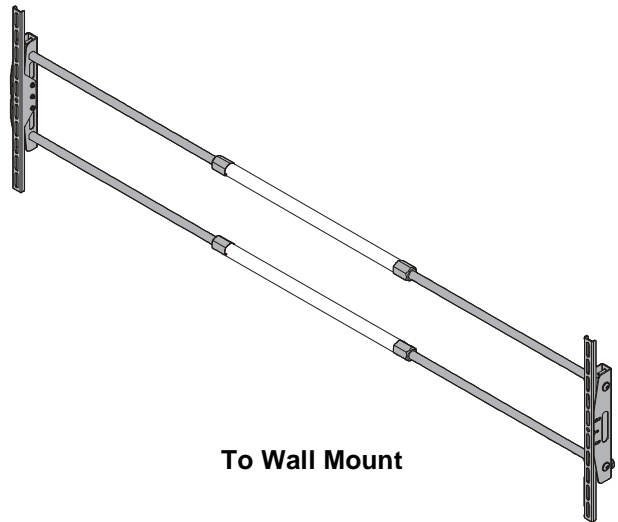

INSTALLATION INSTRUCTIONS



To Cart/ceiling Mount



To Wall Mount

Fusion™ Side Channel Speaker Adapters

DISCLAIMER

Milestone AV Technologies and its affiliated corporations and subsidiaries (collectively "Milestone"), intend to make this manual accurate and complete. However, Milestone makes no claim that the information contained herein covers all details, conditions or variations, nor does it provide for every possible contingency in connection with the installation or use of this product. The information contained in this document is subject to change without notice or obligation of any kind. Milestone makes no representation of warranty, expressed or implied, regarding the information contained herein. Milestone assumes no responsibility for accuracy, completeness or sufficiency of the information contained in this document.

Chief® is a registered trademark of Milestone AV Technologies. All rights reserved.

DEFINITIONS

MOUNTING SYSTEM: A MOUNTING SYSTEM is the primary Chief product to which an accessory and/or component is attached.

ACCESSORY: AN ACCESSORY is the secondary Chief product which is attached to a primary Chief product, and may have a component attached or setting on it.

COMPONENT: A COMPONENT is an audiovisual item designed to be attached or resting on an accessory or mounting system such as a video camera, CPU, screen, display, projector, etc.

WARNING: A WARNING alerts you to the possibility of serious injury or death if you do not follow the instructions.

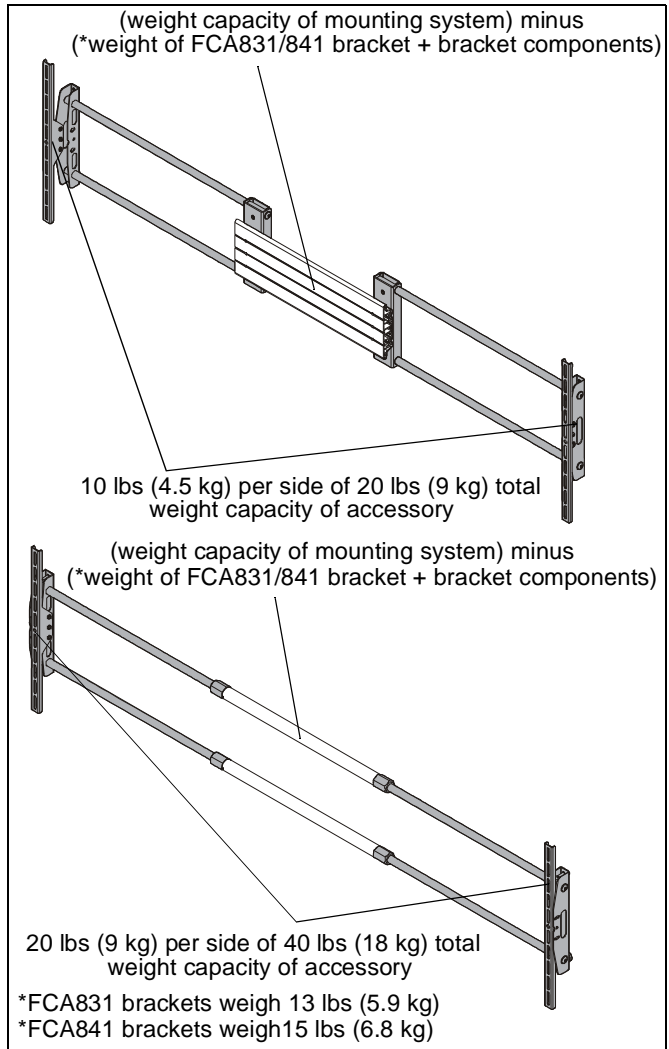
CAUTION: A CAUTION alerts you to the possibility of damage or destruction of equipment if you do not follow the corresponding instructions.

IMPORTANT SAFETY INSTRUCTIONS

WARNING: Failure to read, thoroughly understand, and follow all instructions can result in serious personal injury, damage to equipment, or voiding of factory warranty! It is the installer's responsibility to make sure all accessories are properly assembled and installed using the instructions provided.

WARNING: Exceeding the weight capacity can result in serious personal injury or damage to equipment! It is the installer's responsibility to make sure the combined weight mounted to the FCA831/841 does not exceed 10 lbs (4.5 kg) per side or 20 lbs (9 kg) total if installing to cart/ceiling mount. If installing to a wall mount, the combined weight cannot exceed 20 lbs (9 kg) per side or 40 lbs (18 kg) total.

WARNING: Use of this accessory will decrease the weight capacity of the mount to which it is attached by the combined weight of the accessory and all components supported by this accessory! See Figure below for details.



WARNING: Use this accessory only for its intended use as described in these instructions. Do not use attachments not recommended by the manufacturer.

WARNING: Never operate this accessory if it is damaged. Return the accessory to a service center for examination and repair.

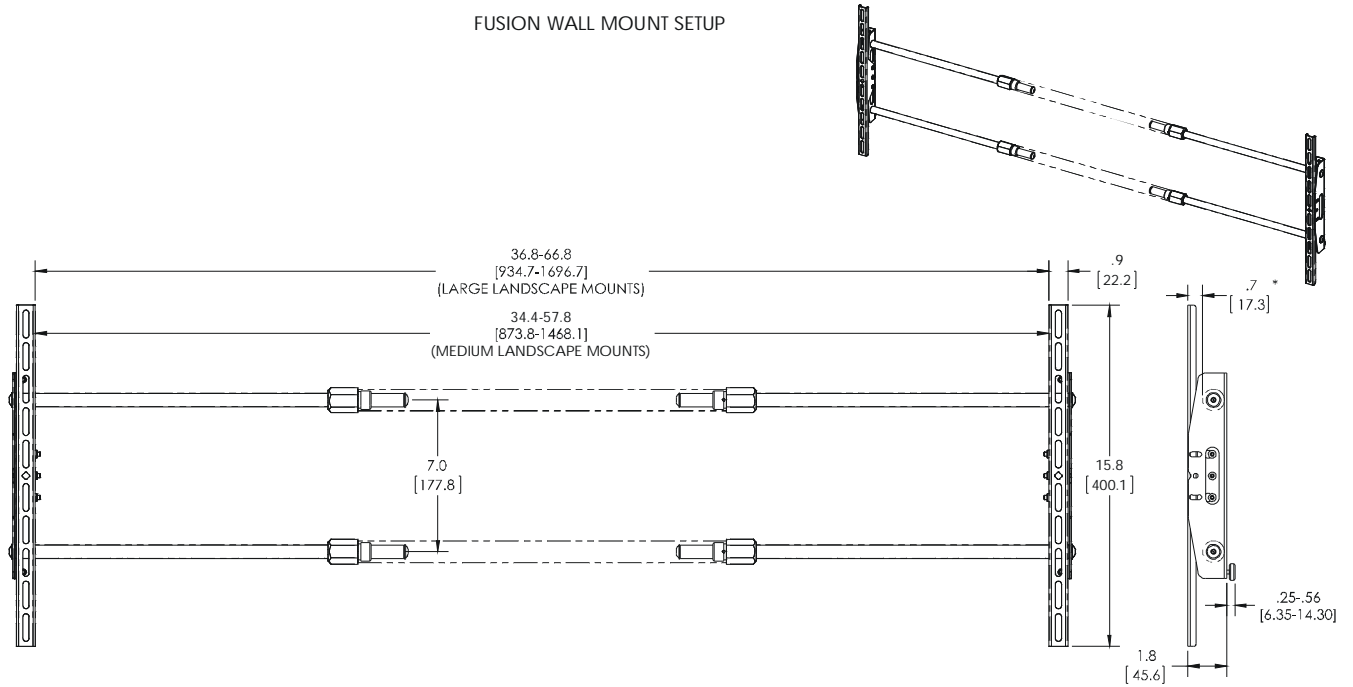
WARNING: Do not use this product outdoors.

WARNING: RISK OF INJURY TO PERSONS! Do not use this accessory to support video equipment such as televisions or computer monitors.

--SAVE THESE INSTRUCTIONS--

DIMENSIONS - FCA831

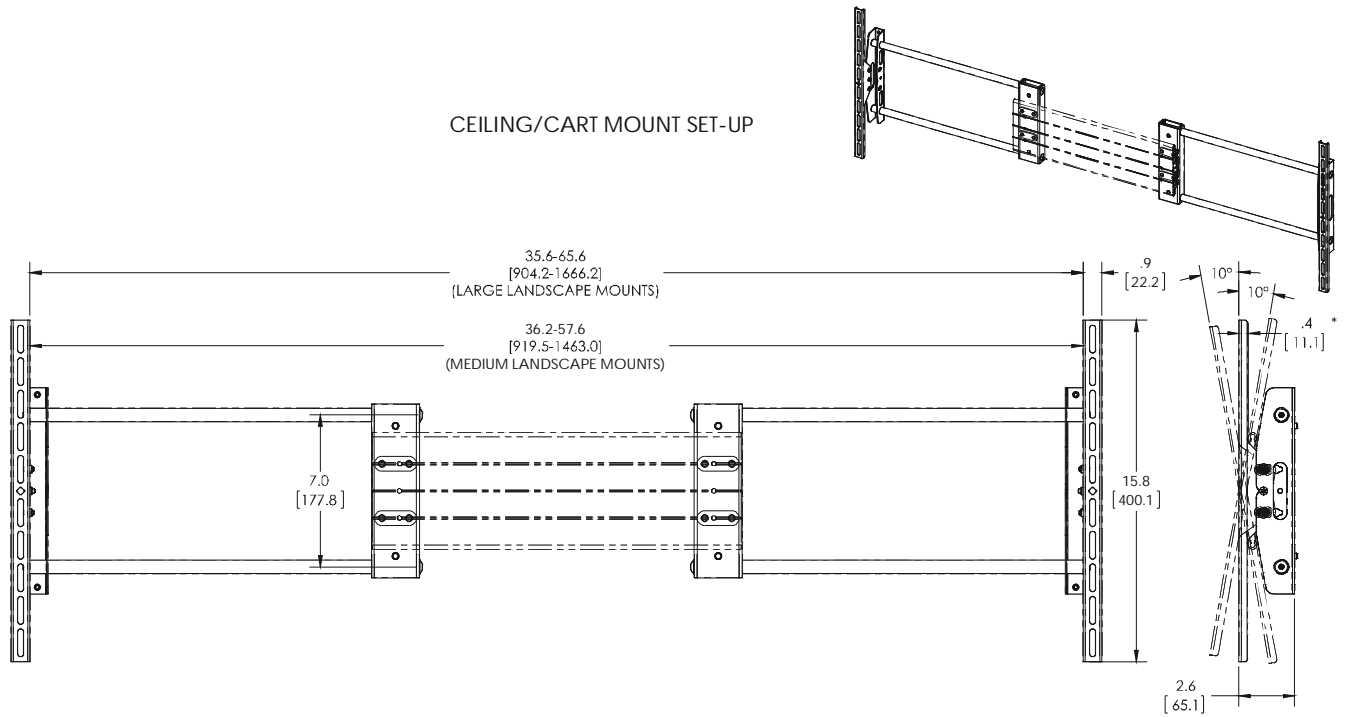
FUSION WALL MOUNT SETUP



(*)NOTES:

- TYPICAL FUSION INTERFACES ARE 0.625" [15.9] DEEP

CEILING/CART MOUNT SET-UP

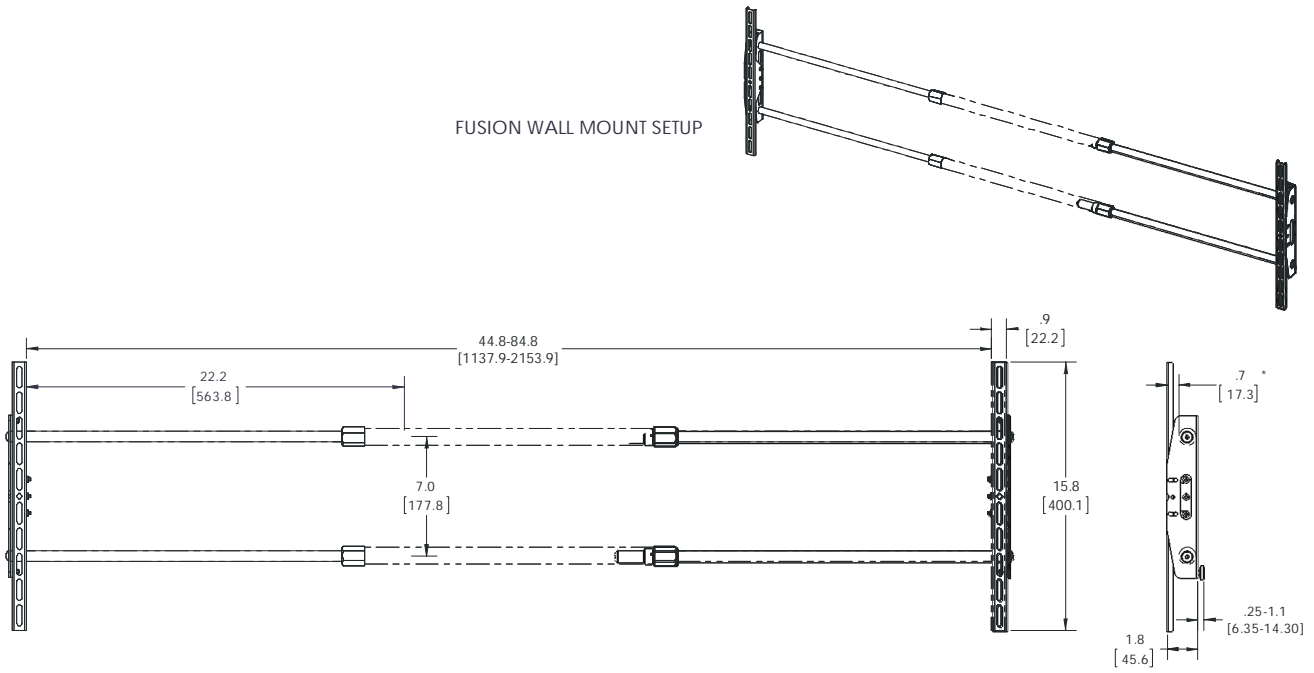


(*)NOTES:

- TYPICAL SINGLE DISPLAY MODELS HAVE INTERFACE DEPTHS .5" [12.7]
- TYPICAL DUAL DISPLAY MODELS HAVE INTERFACE DEPTHS 1.9" [48.3]
- FCA623 DUAL MONITOR INTERFACES ARE 1.4" DEEP [35.6]

DIMENSIONS - FCA841

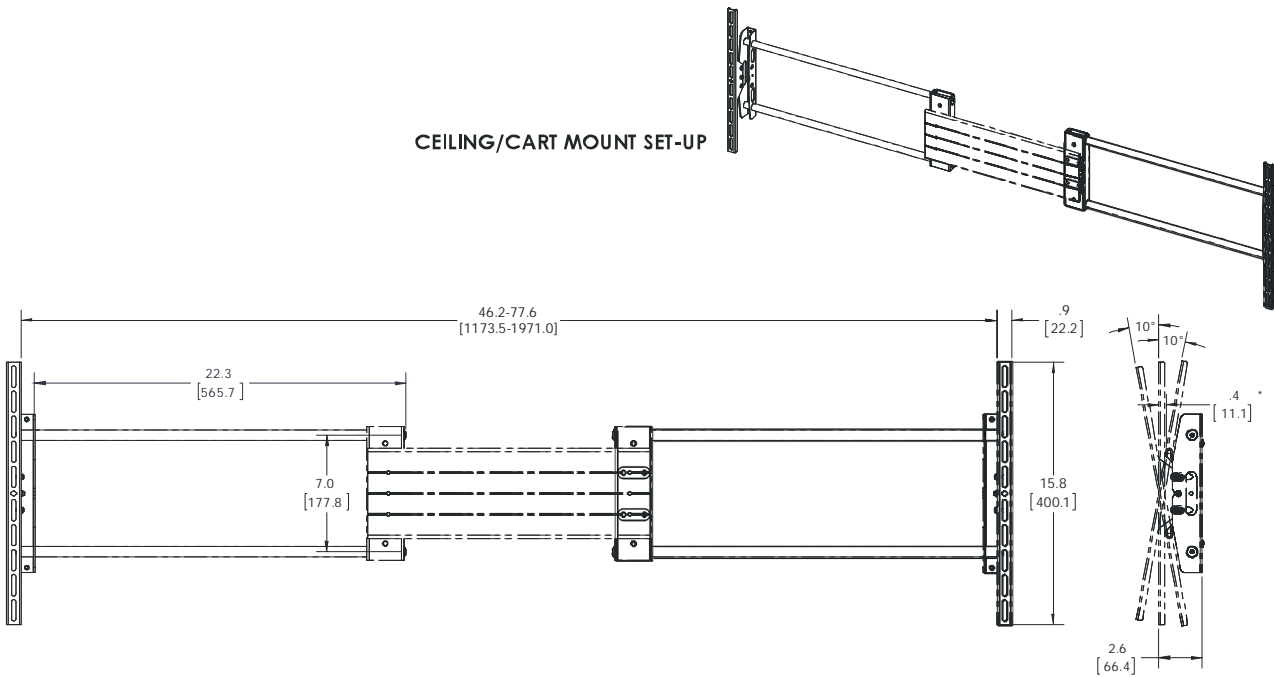
FUSION WALL MOUNT SETUP



(*)NOTES:

- TYPICAL FUSION INTERFACES ARE 0.625" [15.9] DEEP

CEILING/CART MOUNT SET-UP



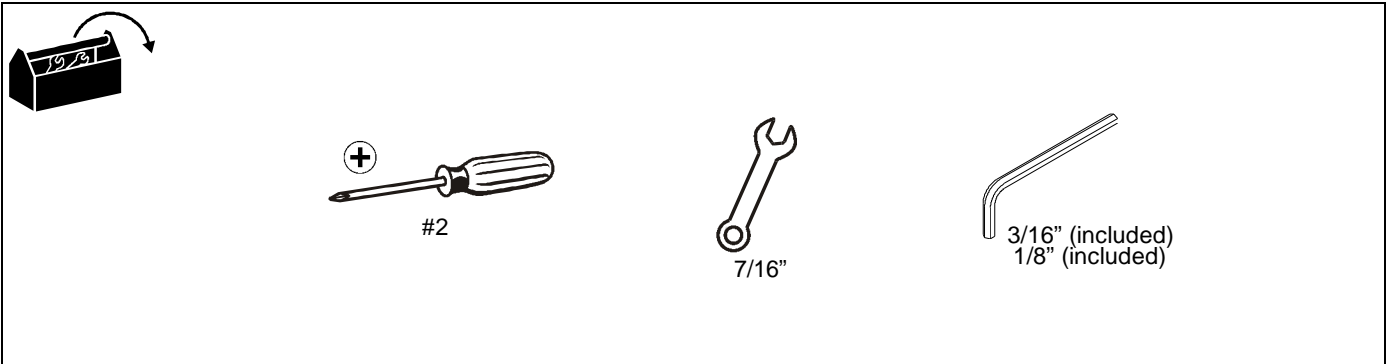
(*)NOTES:

- TYPICAL SINGLE DISPLAY MODELS HAVE INTERFACE DEPTHS .5" [12.7]
- TYPICAL DUAL DISPLAY MODELS HAVE INTERFACE DEPTHS 1.9" [48.3]
- FCA623 DUAL MONITOR INTERFACES ARE 1.4" DEEP [35.6]

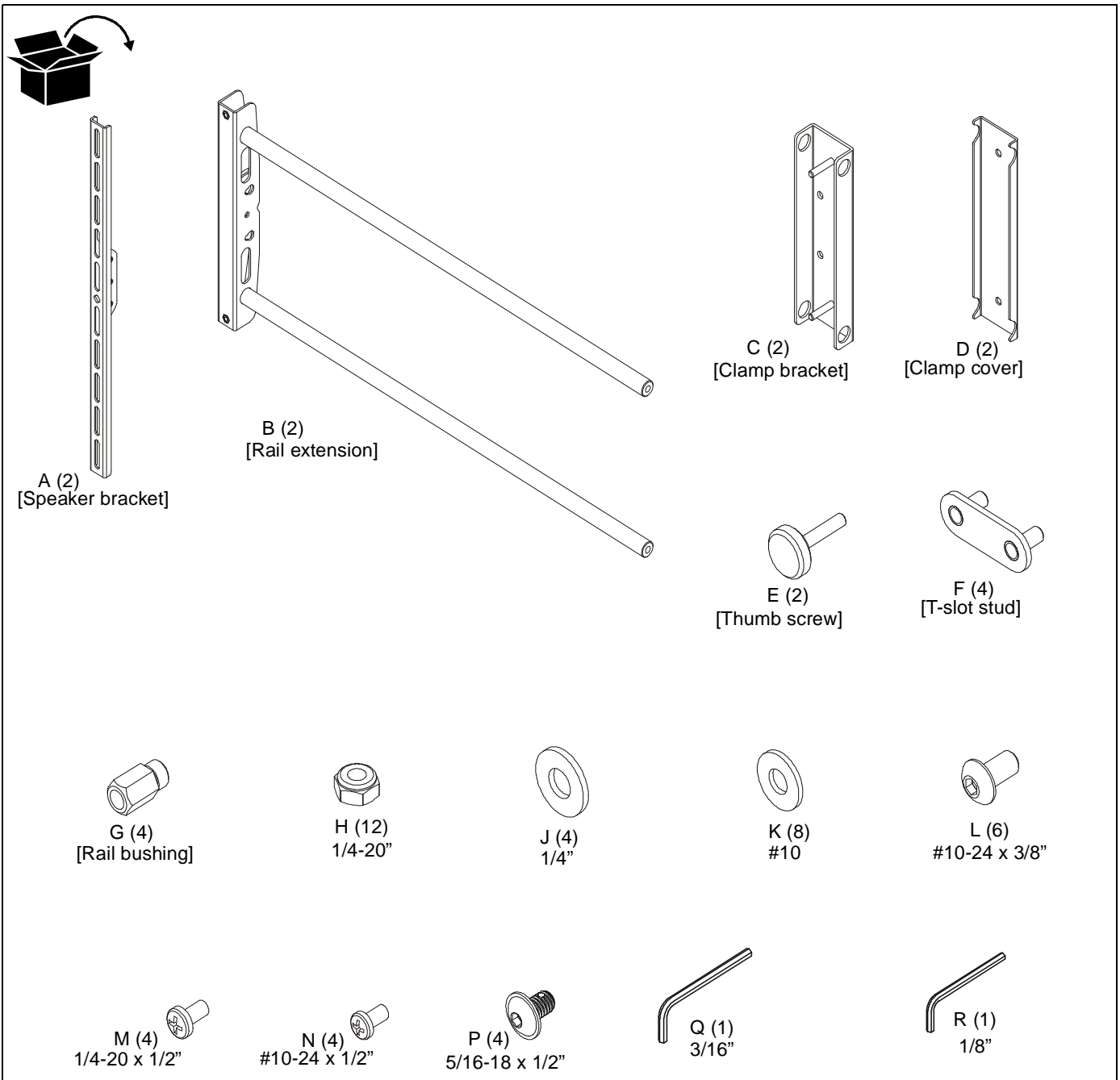
LEGEND

	<p>Tighten Fastener</p> <p>Apretar elemento de fijación</p> <p>Befestigungsteil festziehen</p> <p>Apertar fixador</p> <p>Serrare il fissaggio</p> <p>Bevestiging vastdraaien</p> <p>Serrez les fixations</p>		<p>Pencil Mark</p> <p>Marcar con lápiz</p> <p>Stiftmarkierung</p> <p>Marcar com lápis</p> <p>Segno a matita</p> <p>Potloodmerkten</p> <p>Marquage au crayon</p>
	<p>Loosen Fastener</p> <p>Aflojar elemento de fijación</p> <p>Befestigungsteil lösen</p> <p>Desapertar fixador</p> <p>Allentare il fissaggio</p> <p>Bevestiging losdraaien</p> <p>Desserrez les fixations</p>		<p>Drill Hole</p> <p>Perforar</p> <p>Bohrloch</p> <p>Fazer furo</p> <p>Praticare un foro</p> <p>Gat boren</p> <p>Percez un trou</p>
	<p>Phillips Screwdriver</p> <p>Destornillador Phillips</p> <p>Kreuzschlitzschraubendreher</p> <p>Chave de fendas Phillips</p> <p>Cacciavite a stella</p> <p>Kruiskopschroevendraaier</p> <p>Tournevis à pointe cruciforme</p>		<p>Adjust</p> <p>Ajustar</p> <p>Einstellen</p> <p>Ajustar</p> <p>Regolare</p> <p>Afstellen</p> <p>Ajuster</p>
	<p>Open-Ended Wrench</p> <p>Llave de boca</p> <p>Gabelschlüssel</p> <p>Chave de bocas</p> <p>Chiave a punte aperte</p> <p>Steeksleutel</p> <p>Clé à fourche</p>		<p>Remove</p> <p>Quitar</p> <p>Entfernen</p> <p>Remover</p> <p>Rimuovere</p> <p>Verwijderen</p> <p>Retirez</p>
	<p>By Hand</p> <p>A mano</p> <p>Von Hand</p> <p>Com a mão</p> <p>A mano</p> <p>Met de hand</p> <p>À la main</p>		<p>Optional</p> <p>Opcional</p> <p>Optional</p> <p>Opcional</p> <p>Opzionale</p> <p>Optie</p> <p>En option</p>
	<p>Hex-Head Wrench</p> <p>Llave de cabeza hexagonal</p> <p>Sechskantschlüssel</p> <p>Chave de cabeça sextavada</p> <p>Chiave esagonale</p> <p>Zeskantsleutel</p> <p>Clé à tête hexagonale</p>		<p>Security Wrench</p> <p>Llave de seguridad</p> <p>Sicherheitsschlüssel</p> <p>Chave de segurança</p> <p>Chiave di sicurezza</p> <p>Veiligheidsleutel</p> <p>Clé de sécurité</p>

TOOLS REQUIRED FOR INSTALLATION



PARTS



ASSEMBLY AND INSTALLATION

Attaching to Wall Mount

1. Use two 1/4-20 x 1/2" Phillips pan machine screws (M) with four 1/4" washers (J) or four 10-24 x 1/2" Phillips pan machine screws (N) with four #10 washers (K) to secure two speaker brackets (A) to speakers (not included). (See Figure 1)

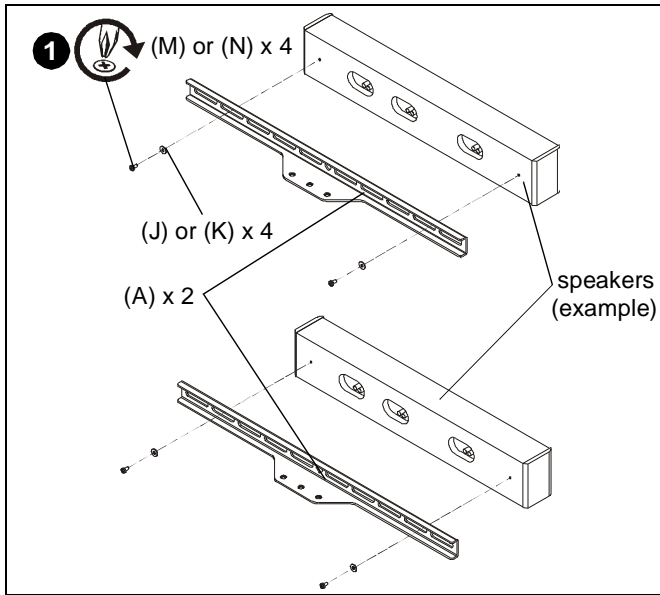


Figure 1

2. Use six #10-24 x 3/8" button head cap screws (L) to secure two speaker brackets (A) to two rail extensions (B). (See Figure 2)

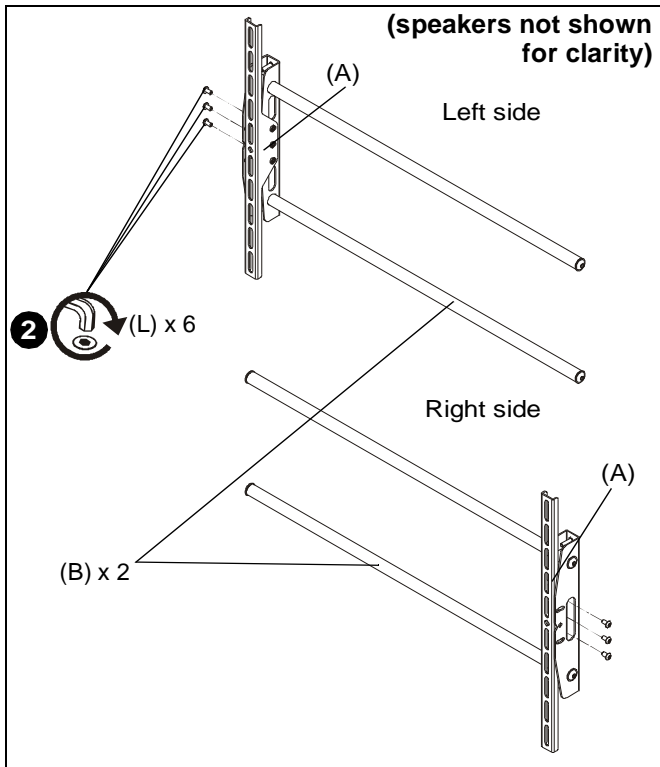


Figure 2

3. Install four rail bushings (G) onto two rail extensions (B). (See Figure 3)
4. Install four 5/16-18 x 1/2" button head flange screws (P) to ends of rail extensions (B). (See Figure 3)

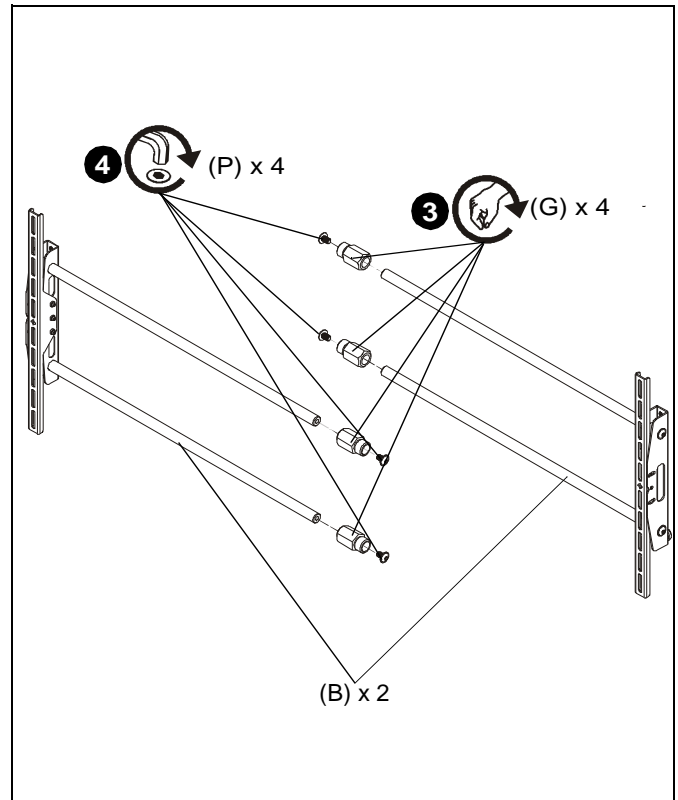


Figure 3

5. Remove end caps from wall mount rails. (See Figure 4)

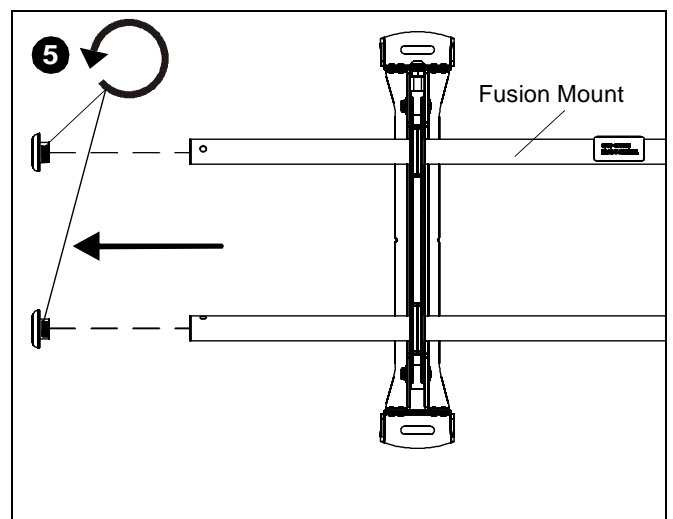


Figure 4

6. Install and tighten the thumb screw (E) on each rail extension (B). (See Figure 5)

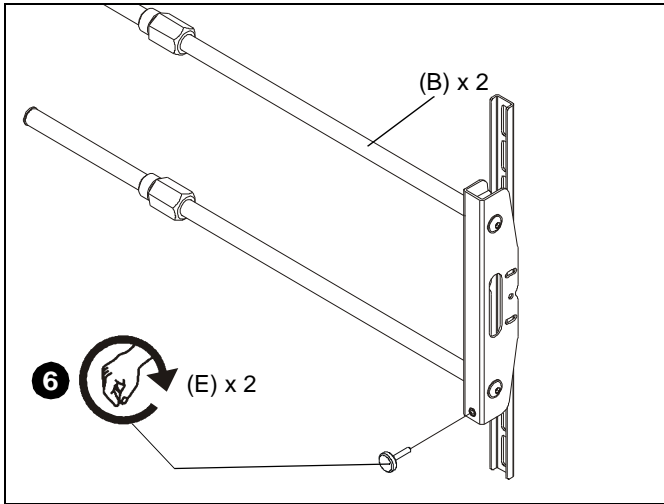


Figure 5

7. Slide rail extensions (B) into wall mount rails. (See Figure 6)
8. Tighten the four rail bushings (G) into the wall mount rails. (See Figure 6)

NOTE: It may be necessary to lift slightly on the rail extensions in order to tighten the side speaker bushings.

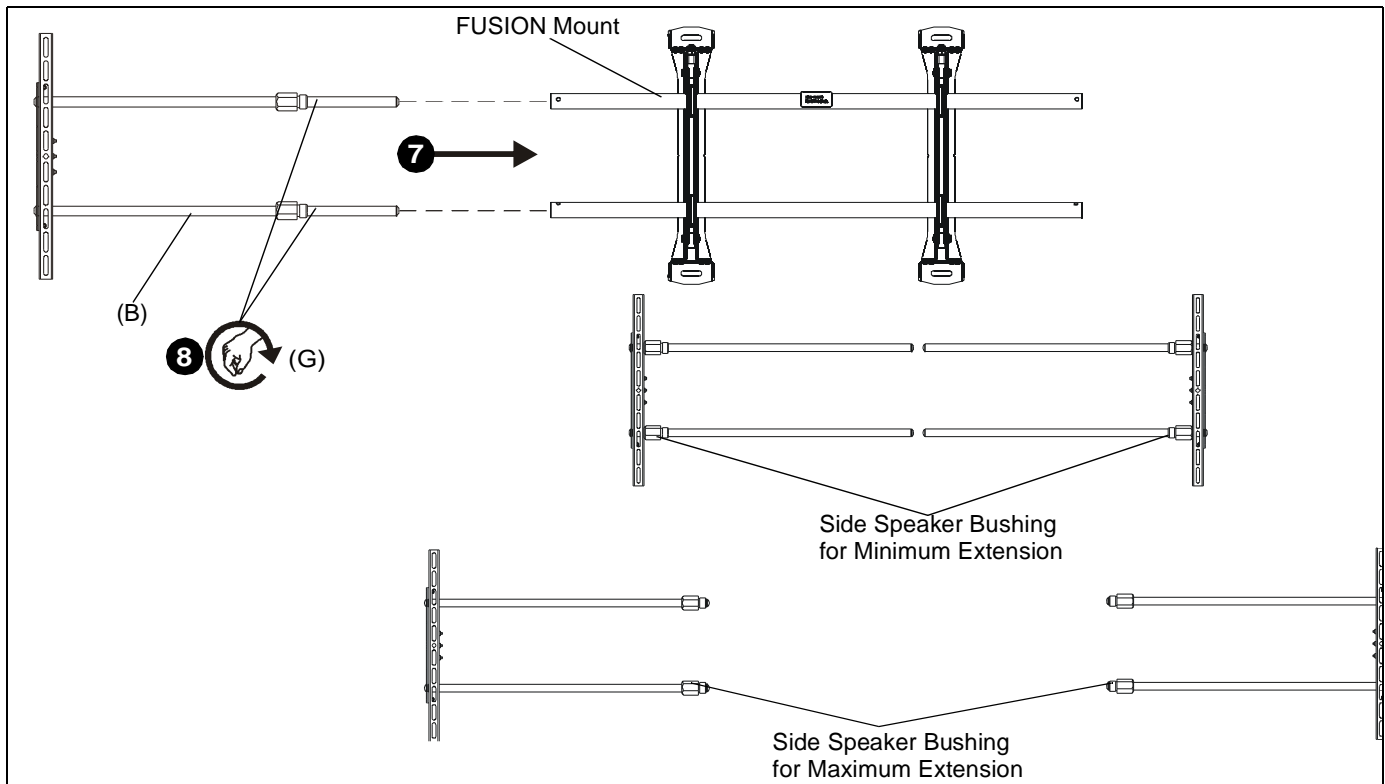


Figure 6

Attaching to Cart/Ceiling Mount

1. Use eight 1/4-20 hex nuts (H) to loosely secure four t-slot studs (F) to two clamp brackets (C). (See Figure 7)

IMPORTANT ! : Do NOT tighten at this time. Leave enough space between studs and brackets so that studs can slide into cart extrusion slots. (See Figure 9)

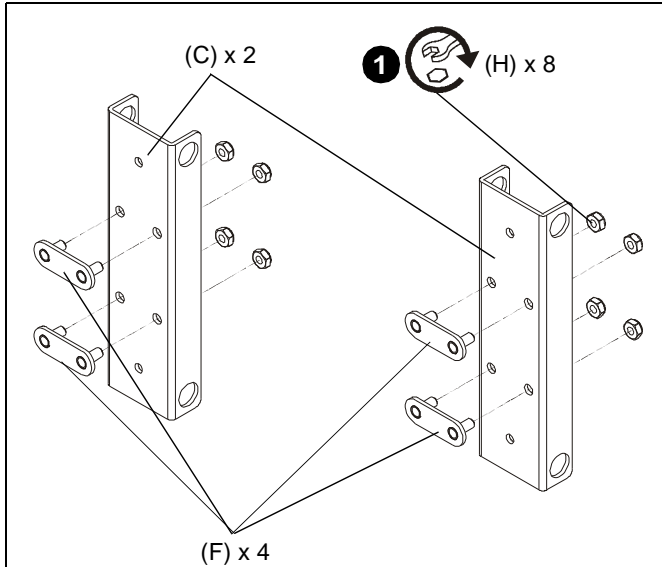


Figure 7

2. Install two clamp brackets (C) onto two rail extensions (B). (See Figure 8)
3. Install four 5/16-18 x 1/2" button head flange screws (P) to ends of rail extensions (B). (See Figure 8)

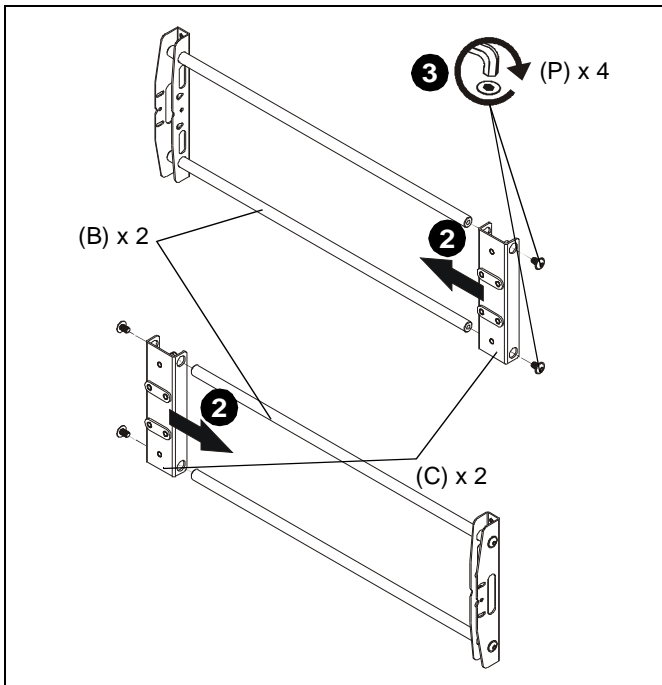


Figure 8

4. Slide t-slot studs (F) into grooves on back of extrusion until desired mounting positions are reached. (See Figure 9)

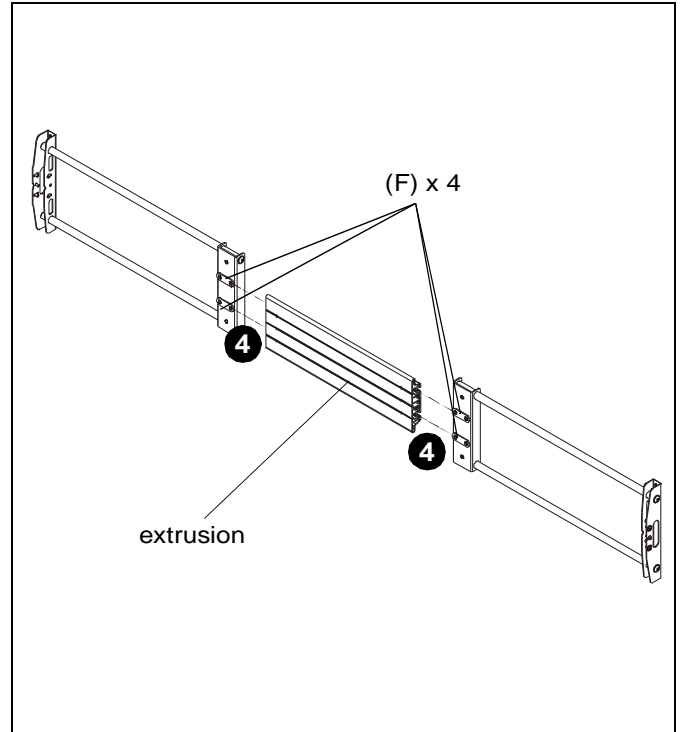


Figure 9

5. Tighten four 1/4-20 hex nuts (H) holding t-slot studs (F) to clamp brackets (C). (See Figure 10)
6. Use four 1/4-20 hex nuts (H) to secure two clamp covers (D) to two clamp brackets (C). (See Figure 10)

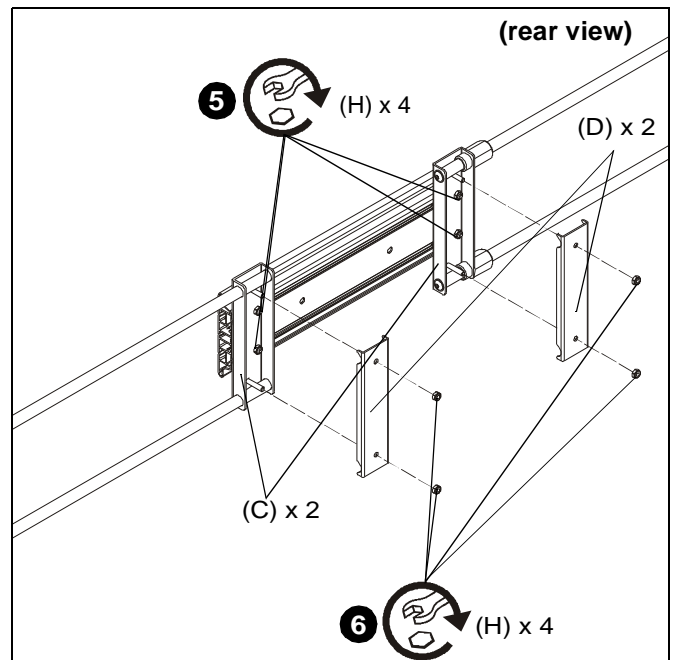


Figure 10

- Use four 1/4-20 x 1/2" Phillips pan machine screws (M) with 1/4" washers (J) or four #10-24 x 1/2" Phillips pan machine screws (N) with four #10 washers (K) to secure two speaker brackets (A) to speakers (not included). (See Figure 11)

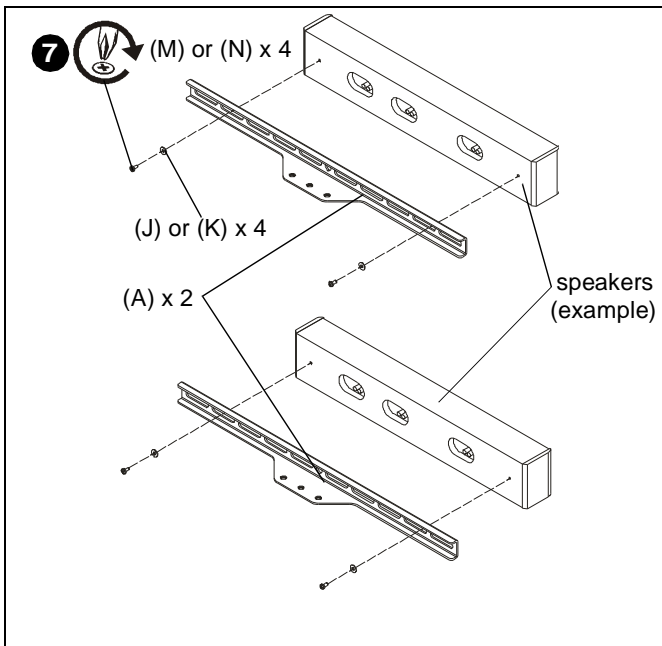


Figure 11

- Use six #10-24 x 3/8" button head cap screws (L) and four #10 washers (K) to secure two speaker brackets (A) to two rail extensions (B). (See Figure 12)

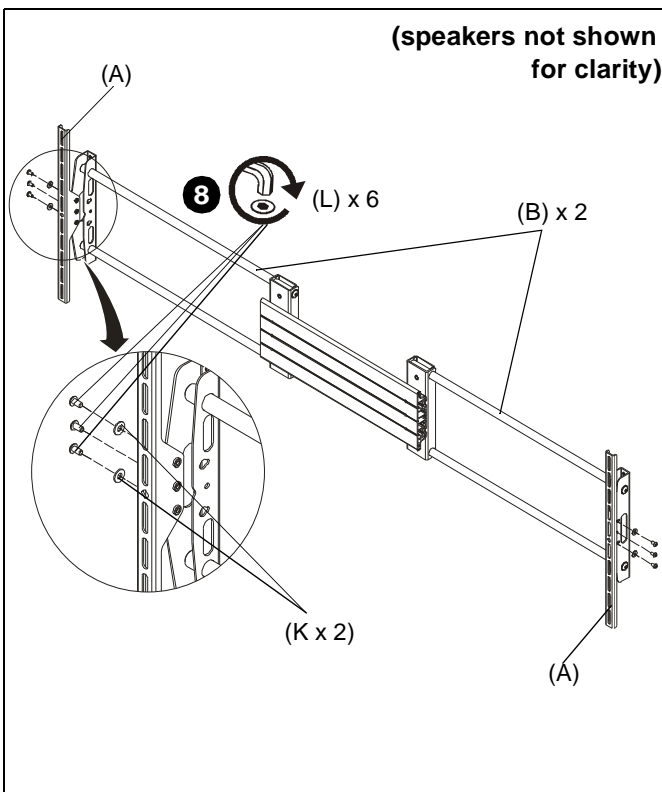


Figure 12

Tilt Adjustment

NOTE: FCA831 and FCA841 mounts are designed to allow for 10° of tilt forward or backward.

NOTE: For cart/ceiling configurations ONLY.

- Loosen (do NOT remove) upper and lower button head cap screws (L) holding speaker brackets (A) to rail extensions (B). (See Figure 13)
- Tilt speakers forward or backward as desired. (See Figure 13)
- Tighten upper and lower button head cap screws (L) holding speaker brackets (A) to rail extensions (B). (See Figure 13)

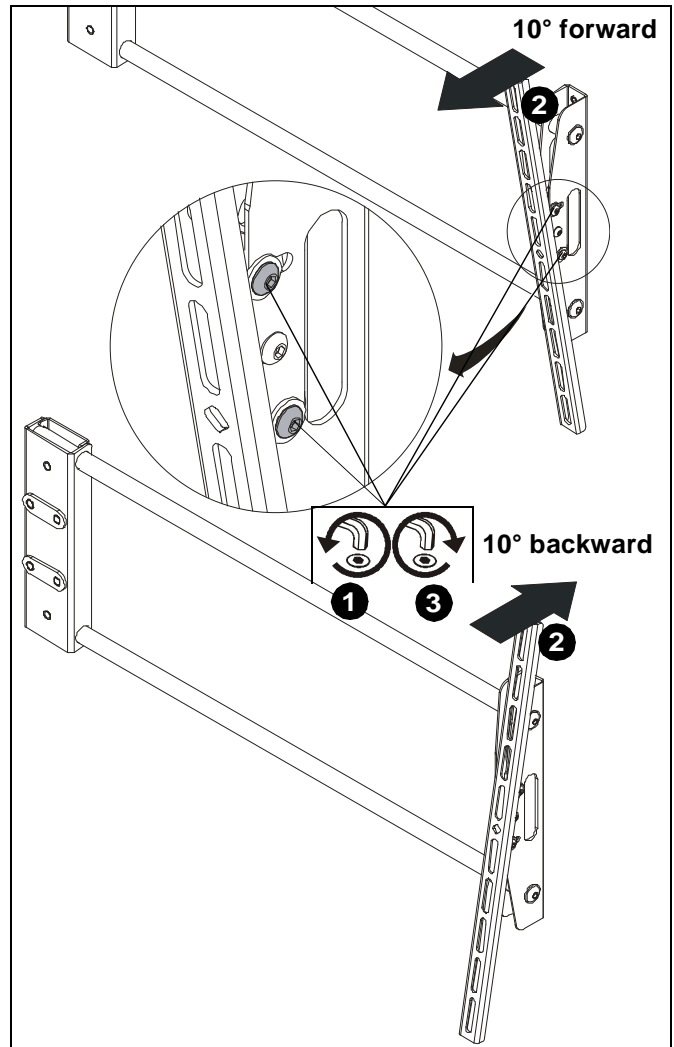


Figure 13



Our Mounts. **Your Vision.**

Chief, a products division of
Milestone AV Technologies

8800-002654 Rev01
©2016 Milestone AV Technologies
www.milestone.com
06/16

USA/International	A 6436 City West Parkway, Eden Prairie, MN 55344 P 800.582.6480 / 952.225.6000 F 877.894.6918 / 952.894.6918
Europe	A Franklinstraat 14, 6003 DK Weert, Netherlands P +31 (0) 495 580 852 F +31 (0) 495 580 845
Asia Pacific	A Office No. 918 on 9/F, Shatin Galleria 18-24 Shan Mei Street Fotan, Shatin, Hong Kong P 852 2145 4099 F 852 2145 4477

