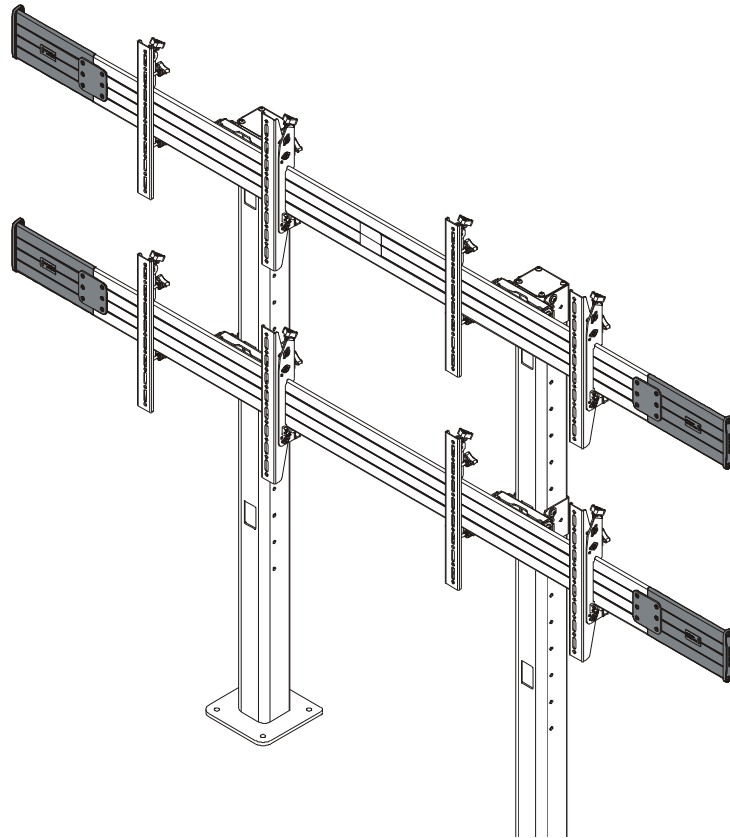

INSTALLATION INSTRUCTIONS




Video Wall Extenders


DISCLAIMER


Milestone AV Technologies and its affiliated corporations and subsidiaries (collectively "Milestone"), intend to make this manual accurate and complete. However, Milestone makes no claim that the information contained herein covers all details, conditions or variations, nor does it provide for every possible contingency in connection with the installation or use of this product. The information contained in this document is subject to change without notice or obligation of any kind. Milestone makes no representation of warranty, expressed or implied, regarding the information contained herein. Milestone assumes no responsibility for accuracy, completeness or sufficiency of the information contained in this document.


Chief® is a registered trademark of Milestone AV Technologies. All rights reserved.


 **IMPORTANT SAFETY INSTRUCTIONS**


 **WARNING:** A WARNING alerts you to the possibility of serious injury or death if you do not follow the instructions.


 **CAUTION:** A CAUTION alerts you to the possibility of damage or destruction of equipment if you do not follow the corresponding instructions.


 **WARNING:** Failure to read, thoroughly understand, and follow all instructions can result in serious personal injury, damage to equipment, or voiding of factory warranty! It is the installer's responsibility to make sure all components are properly assembled and installed using the instructions provided.

 **WARNING:** Exceeding the weight capacity can result in serious personal injury or damage to equipment! Adding the FCAX video wall extenders allows for wider screens to be mounted but does not change the weight capacity listed for the mount. Consult (Table 1) for mounting system's weight capacity details.

 **WARNING:** Use this mounting system only for its intended use as described in these instructions. Do not use attachments not recommended by the manufacturer.

 **WARNING:** Never operate this mounting system if it is damaged. Return the mounting system to a service center for examination and repair.

 **WARNING:** RISK OF SERIOUS INJURY OR DEATH! Use with televisions weighing more than the maximum weight indicated may result in the cart collapsing or overturning onto a person causing serious injury or death!

 **WARNING:** Do not use this product outdoors.

NOTE: The FCAX08, FCAX14 and FCAX20 are intended to be used with:

- LCM Video Wall Series
- LVM Video Wall Carts Series
- LBM Bolt-Down Video Wall Series

Table 1: Weight Capacities

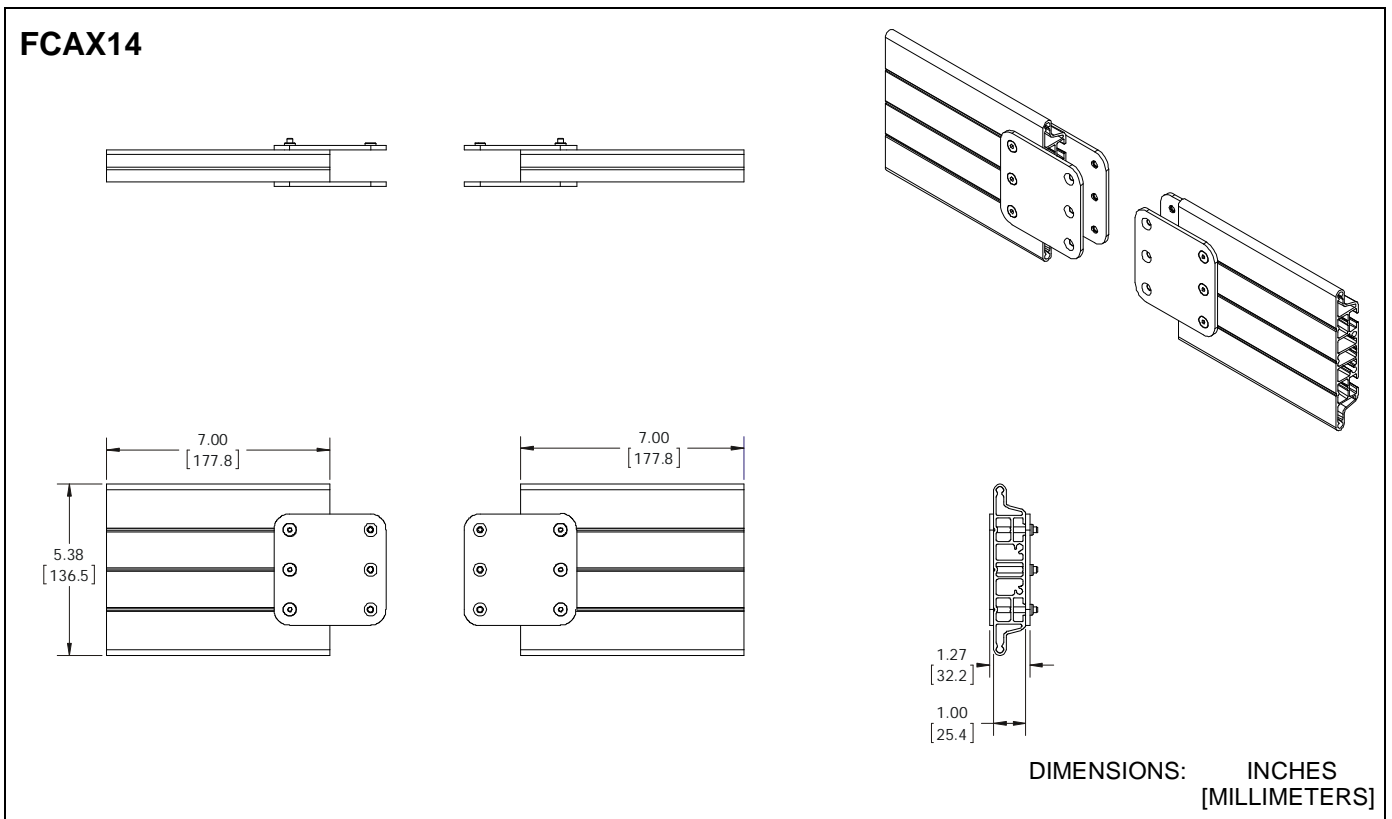
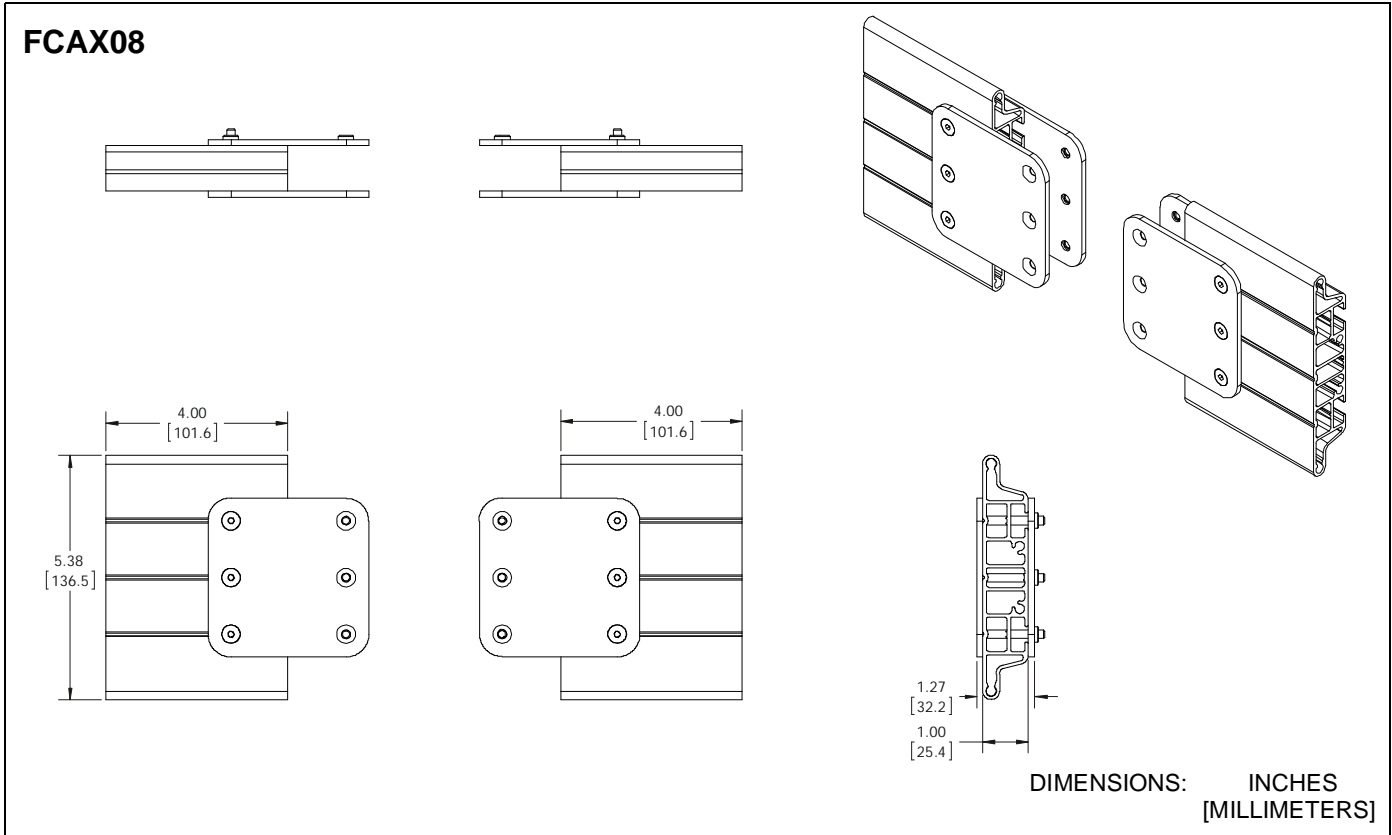
MODEL	Max Weight Allowed for EACH Display	Max Weight Capacity of Mounting System
LCM2X2U	125 lbs (56.7 kg)	500 lbs (226.8 kg)
LCM3X2U	125 lbs (56.7 kg)	750 lbs (340.2 kg)
LCM3X3U	85 lbs (38.6 kg)	765 lbs (347.0 kg)
LVM2X2U	125 lbs (56.7 kg)	500 lbs (226.8 kg)
LVM3X2U	125 lbs (56.7 kg)	750 lbs (340.2 kg)
LVM3X3U	100 lbs (45.4 kg)	900 lbs (408.2 kg)
LVM3X1UP	125 lbs (56.7 kg)	375 lbs (170.1 kg)
LVM2X2UP	100 lbs (45.4 kg)	400 lbs (181.4 kg)
LVM3X2UP	100 lbs (45.4 kg)	600 lbs (272.2 kg)
LBM2X2U	125 lbs (56.7 kg)	500 lbs (226.8 kg)
LBM3X2U	125 lbs (56.7 kg)	750 lbs (340.2 kg)
LBM3X3U	100 lbs (45.4 kg)	900 lbs (408.2 kg)
LBM3X1UP	125 lbs (56.7 kg)	375 lbs (170.1 kg)
LBM2X2UP	100 lbs (45.4 kg)	400 lbs (181.4 kg)
LBM3X2UP	100 lbs (45.4 kg)	600 lbs (272.2 kg)

NOTE: The FCAX08, 14, 20 have no serviceable parts.

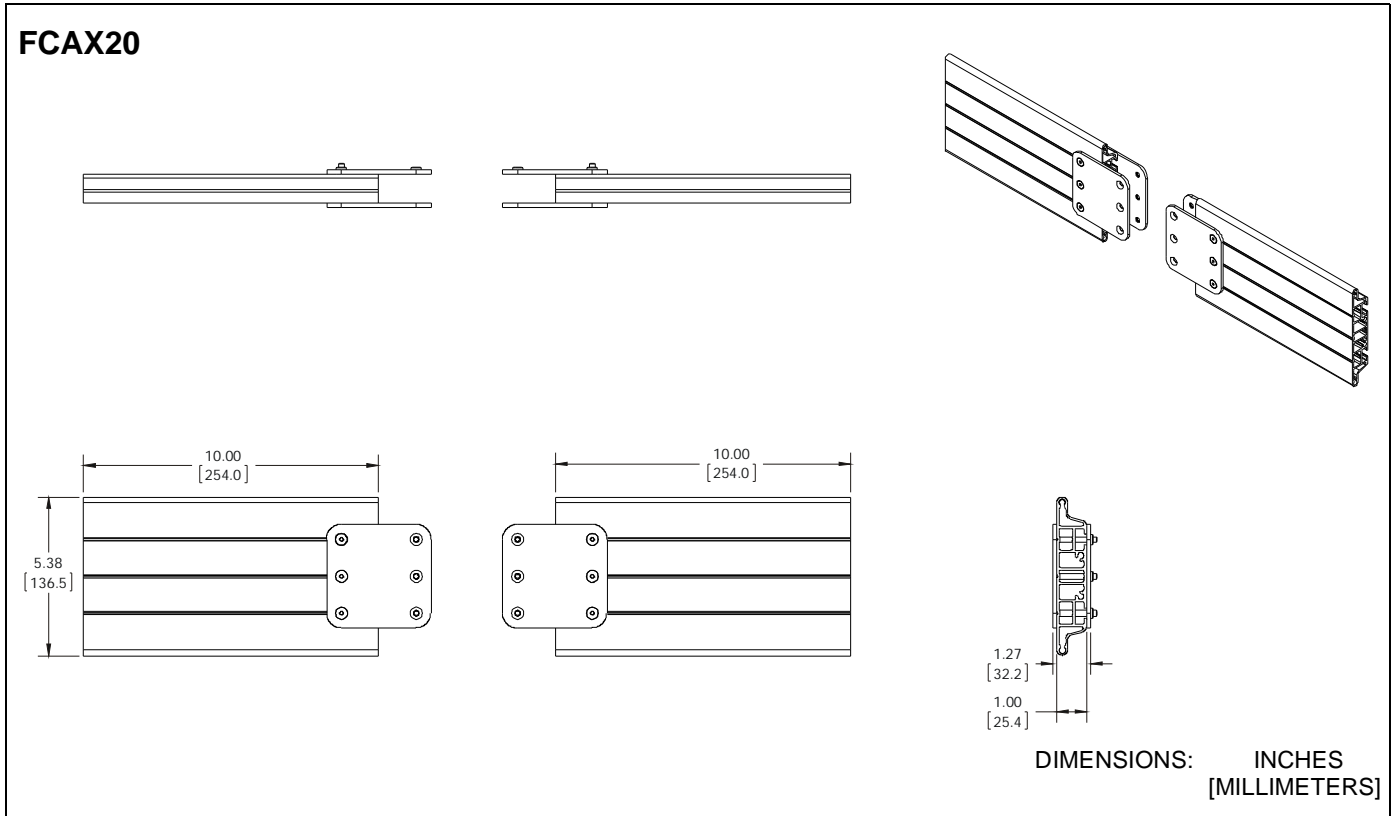
NOTE: The UL Listed FCAX horizontal extension brackets may be used with UL Listed add-on row, FCA2X1U, FCA3X1U and FCA3X1UP (not included).

--SAVE THESE INSTRUCTIONS--

DIMENSIONS



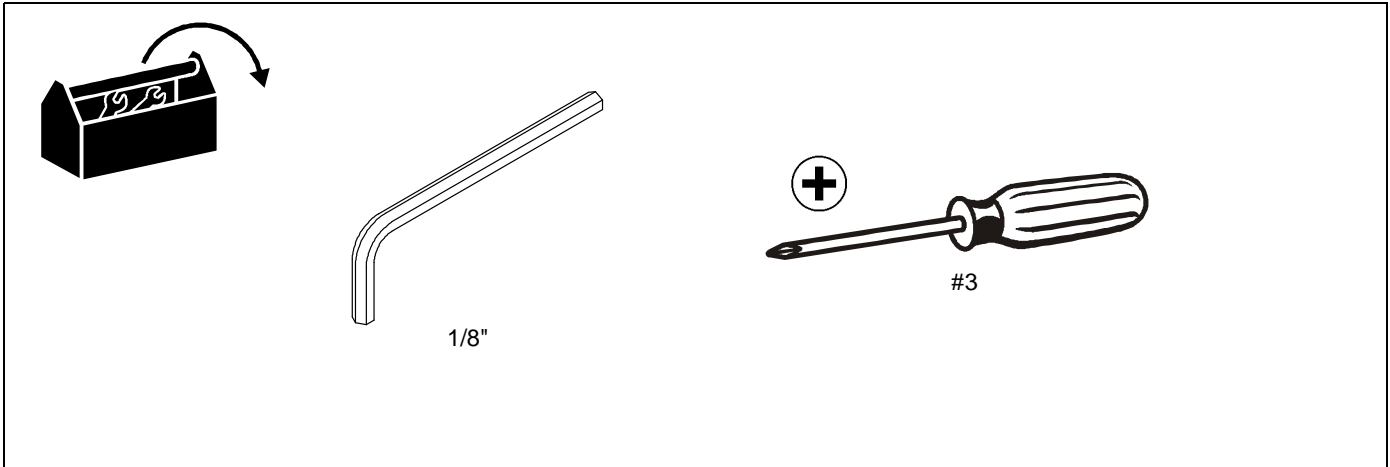
DIMENSIONS (continued)



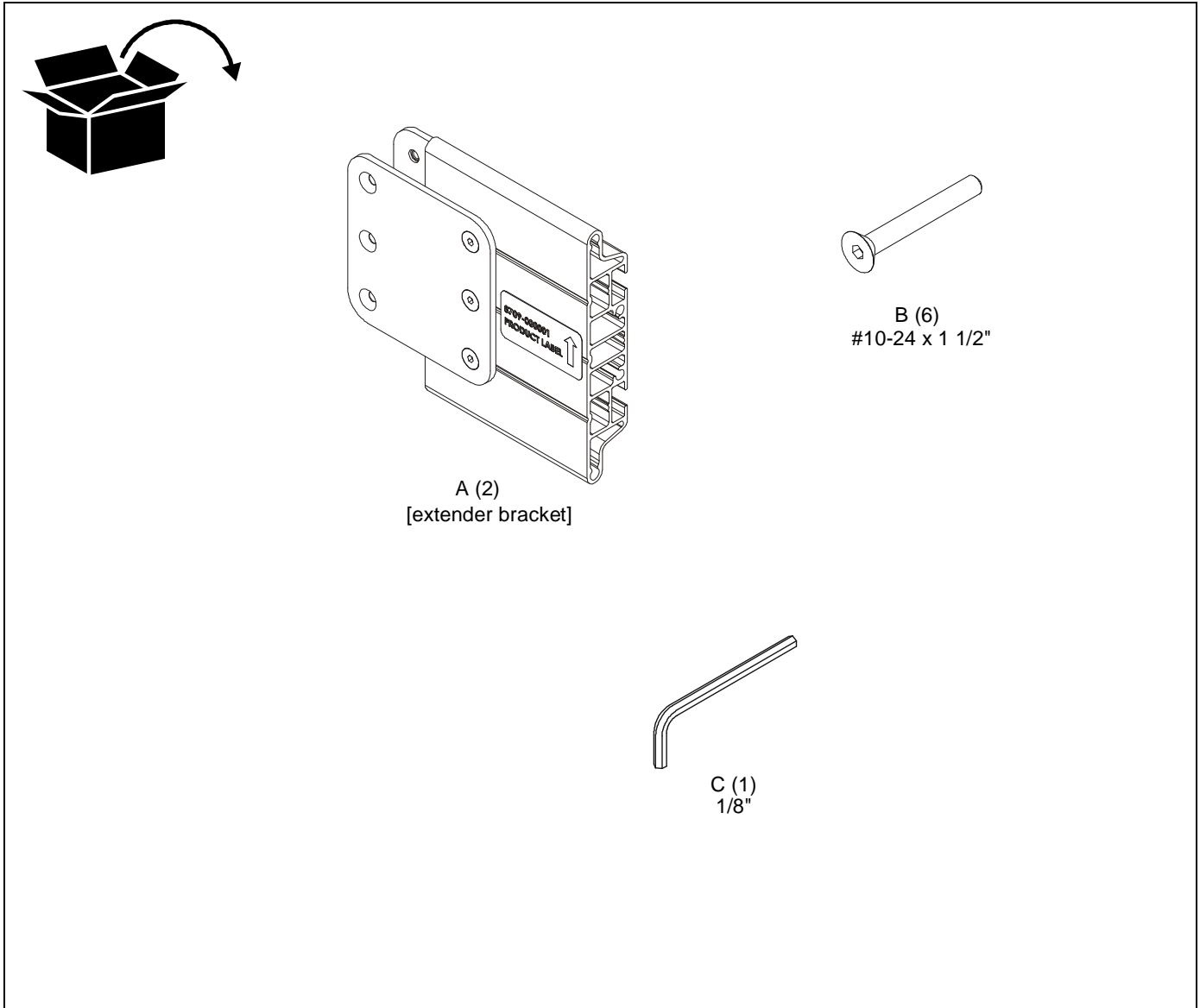
LEGEND

	Tighten Fastener		Phillips Screwdriver
	Apretar elemento de fijación		Destornillador Phillips
	Befestigungsteil festziehen		Kreuzschlitzschraubendreher
	Apertar fixador		Chave de fendas Phillips
	Serrare il fissaggio		Cacciavite a stella
	Bevestiging vastdraaien		Kruiskopschroevendraaier
Serrez les fixations	Tournevis à pointe cruciforme		
	Loosen Fastener		Hex-Head Wrench
	Aflojar elemento de fijación		Llave de cabeza hexagonal
	Befestigungsteil lösen		Sechskantschlüssel
	Desapertar fixador		Chave de cabeça sextavada
	Allentare il fissaggio		Chiave esagonale
	Bevestiging losdraaien		Zeskantsleutel
Desserrez les fixations	Clé à tête hexagonale		

TOOLS REQUIRED FOR INSTALLATION



PARTS



Assembly And Installation

1. Assemble video wall mount according to installation instructions up to the point of installing displays to rails.
2. Remove ends from rails by removing two screws holding ends to rails. (See Figure 1)
3. Use three #10-24 x 1 1/2" flat head cap screws (B) to attach each extender (A) to rail. (See Figure 2)
4. Reattach ends to rails using two screws removed in Step 2. (See Figure 2)
5. Install displays to rails according to mount's installation instructions.

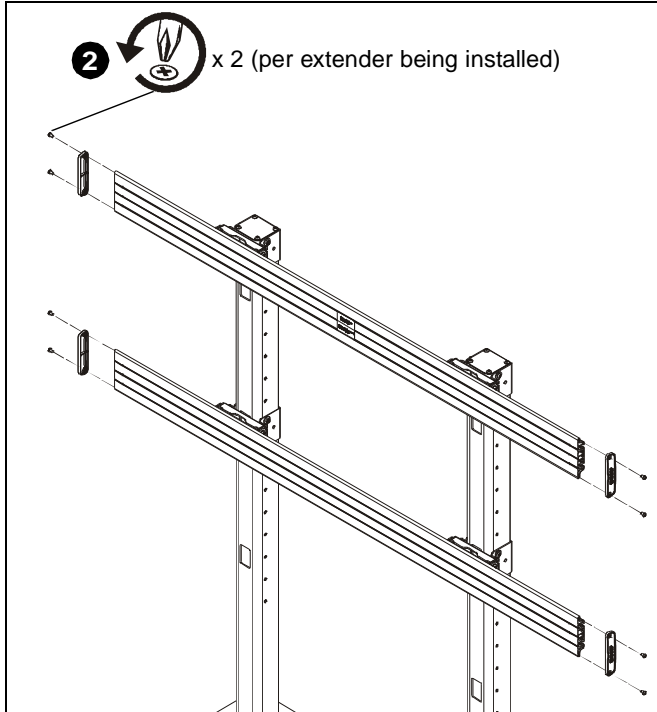


Figure 1

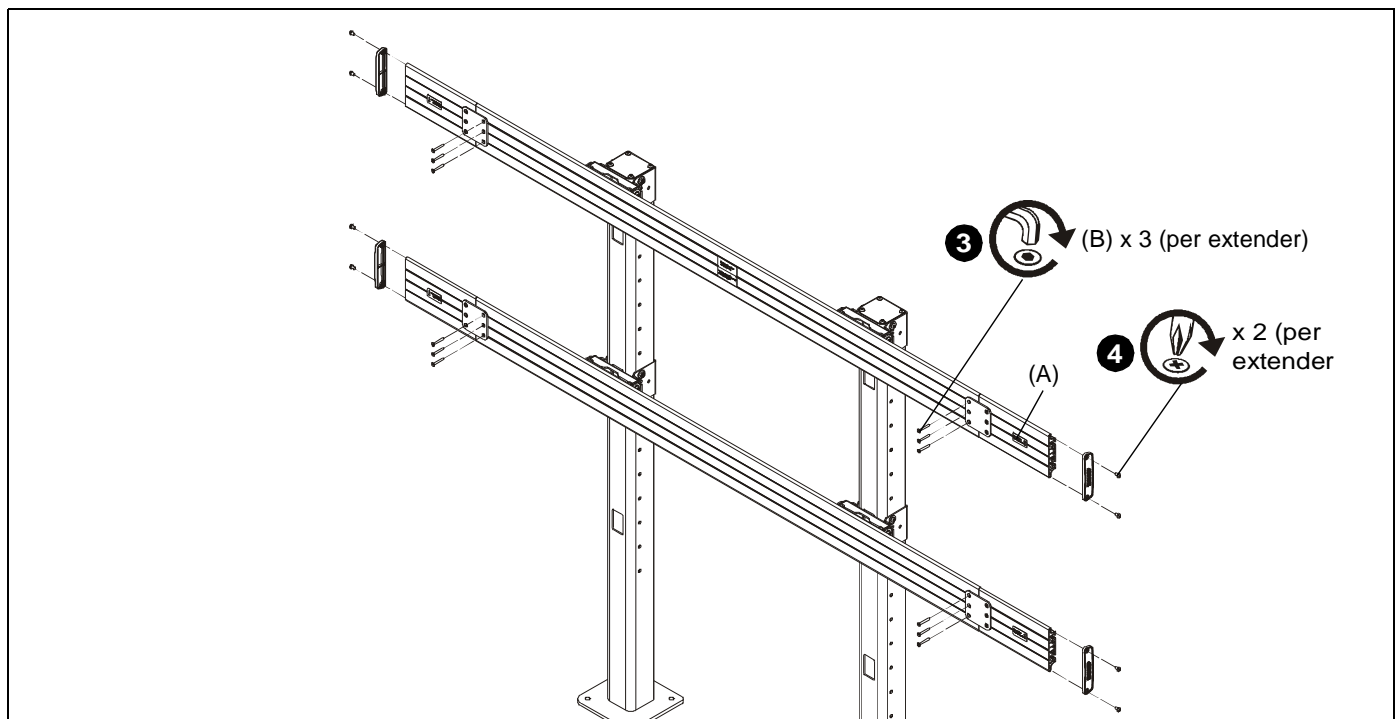


Figure 2



Our Mounts. **Your Vision.**

Chief Manufacturing, a products division
of Milestone AV Technologies

8800-002392 Rev00
©2013 Milestone AV Technologies, a
Duchossois Group Company
www.chiefmfg.com
03/13

USA/International	A 6436 City West Parkway, Eden Prairie, MN 55344
	P 800.582.6480 / 952.225.6000
	F 877.894.6918 / 952.894.6918
Europe	A Franklinstraat 14, 6003 DK Weert, Netherlands
	P +31 (0) 495 580 852
	F +31 (0) 495 580 845
Asia Pacific	A Office No. 1 on 12/F, Shatin Galleria 18-24 Shan Mei Street Fotan, Shatin, Hong Kong
	P 852 2145 4099
	F 852 2145 4477

