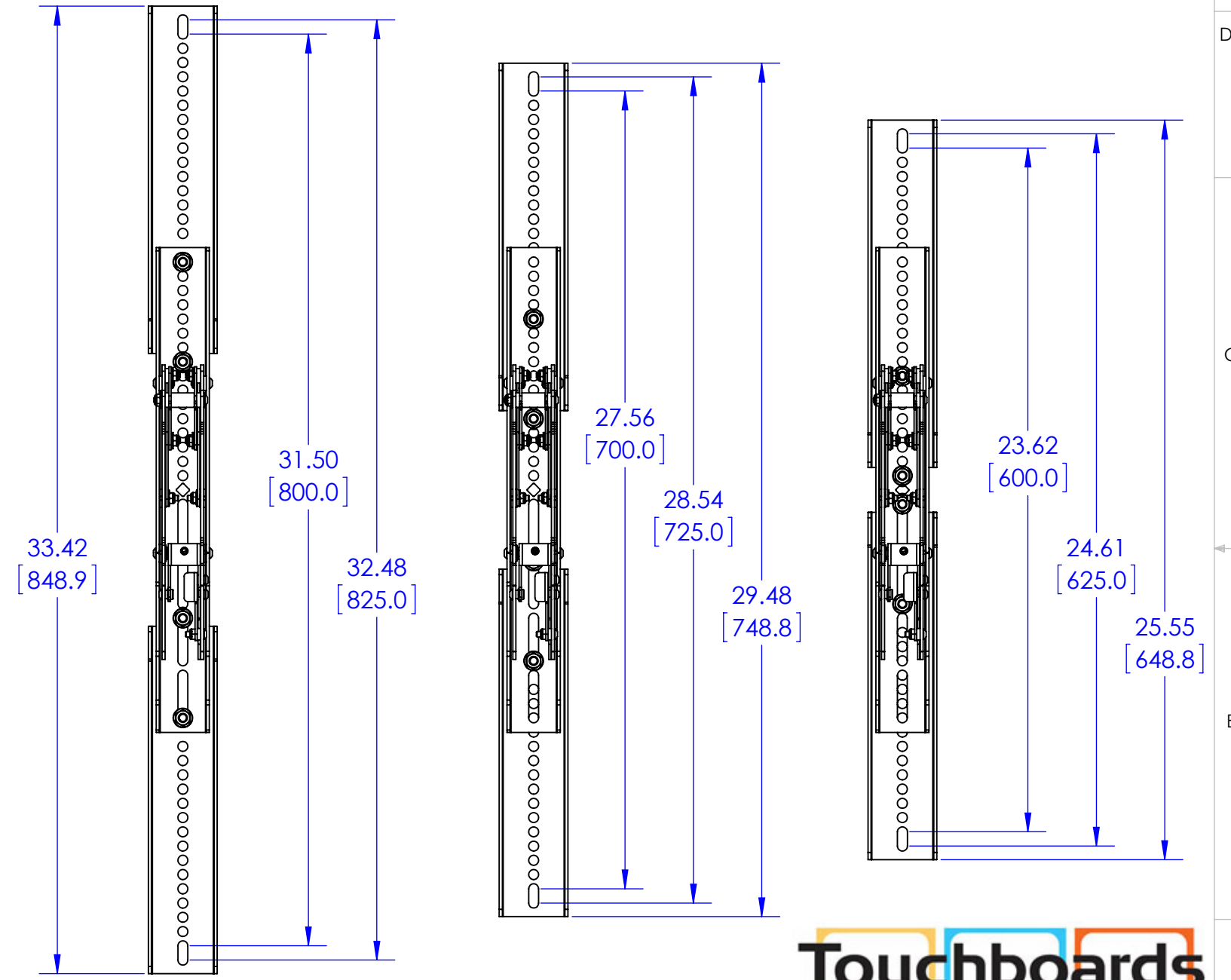
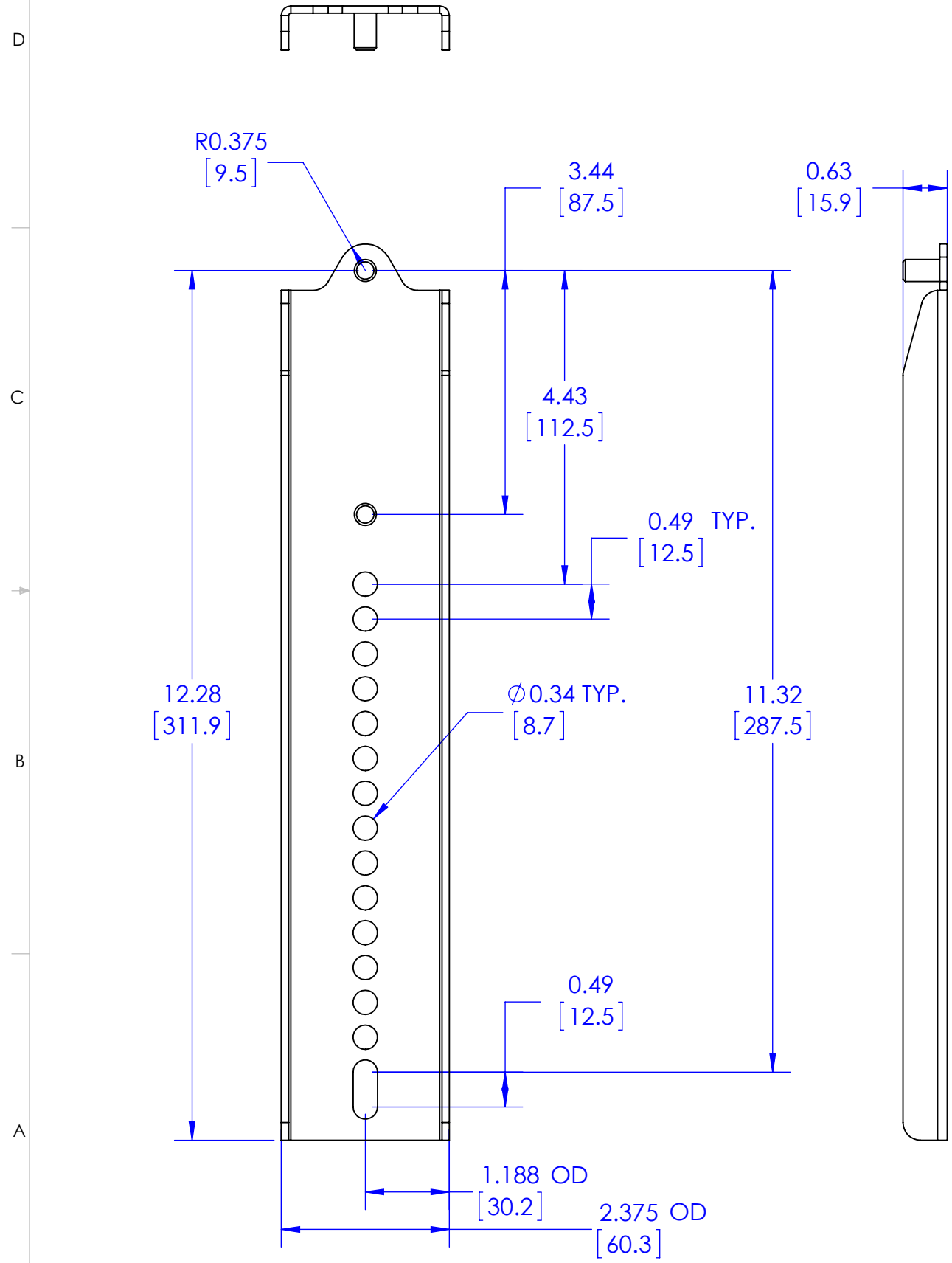


4 BRACKETS INCLUDED WITH EACH FHB KIT

INTERFACE NOT INCLUDED WITH FHB KIT



Touchboards
 205 Westwood Ave, Long Branch, NJ 07740
 Phone: 866-94 BOARDS (26273) / (732)-222-1511
 Fax: (732)-222-7088 | E-mail: sales@touchboards.com

THE INFORMATION AND DESIGNS CONTAINED IN THIS DRAWING ARE CONFIDENTIAL AND THE PROPRIETARY PROPERTY OF MILESTONE AV TECHNOLOGIES NEITHER THIS DESIGN NOR ANY INFORMATION CONTAINED IN THIS DRAWING MAY BE REPRODUCED OR DISCLOSED TO OTHERS WITHOUT THE EXPRESS WRITTEN CONSENT OF MILESTONE AV TECHNOLOGIES.

CAD GENERATED DRAWING, DO NOT MANUALLY UPDATE.			CHIEF 6436 CITY WEST PKWY EDEN PRAIRIE MN, 55344 PHONE: 866-977-3901 FAX: 877-894-6918
DRAWN BY	JAB	7/16/2015	
ENG APPROVAL			DESCRIPTION 800 mm INTERFACE ADAPTER
MFG APPROVAL			MODEL NO. FHB5078
QA APPROVAL			SIZE DWG. NO. REV. B TECH-000711 00
SHEET 1 OF 1			SCALE 1:4