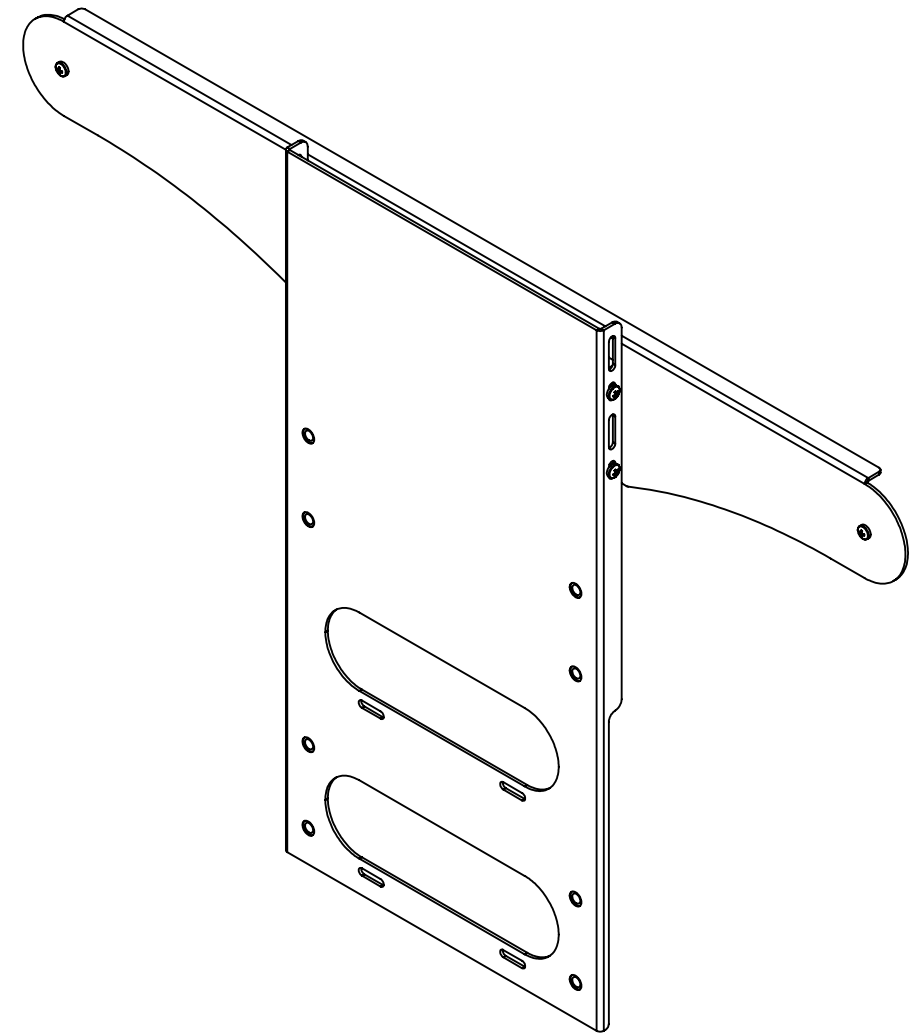
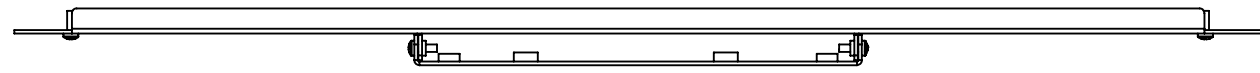


1 2 3 4 5 6 7 8

FHB-5747



D  
C  
B  
A

D  
C  
B  
A

2.13

2.00

7.87  
[200]

6.87

7.87  
[200]

9.32

.26  
ADDED DEPTH OF  
INTERFACE BRACKET

SHEET SCALE = 1:4



**CHIEF MANUFACTURING INC.**  
PRODUCT ORDER NUMBER IS: FHB-5747  
PHONE: 1-800-582-6480

THE INFORMATION AND DESIGNS CONTAINED IN THIS DRAWING ARE CONFIDENTIAL AND THE PROPRIETARY PROPERTY OF MILESTONE AV TECHNOLOGIES NEITHER THIS DESIGN NOR ANY INFORMATION CONTAINED IN THIS DRAWING MAY BE REPRODUCED OR DISCLOSED TO OTHERS WITHOUT THE EXPRESS WRITTEN CONSENT OF MILESTONE AV TECHNOLOGIES.



8401 EAGLE CREEK PKY  
SUITE #700  
SAVAGE, MN 55378  
PHONE: 952-894-6280  
FAX: 877-894-6918

TITLE  
**CUSTOMER PRINT  
FHB-5747**

SIZE DWG. NO.  
**B FHB-5747**

1 2 3 4 5 6 7 8