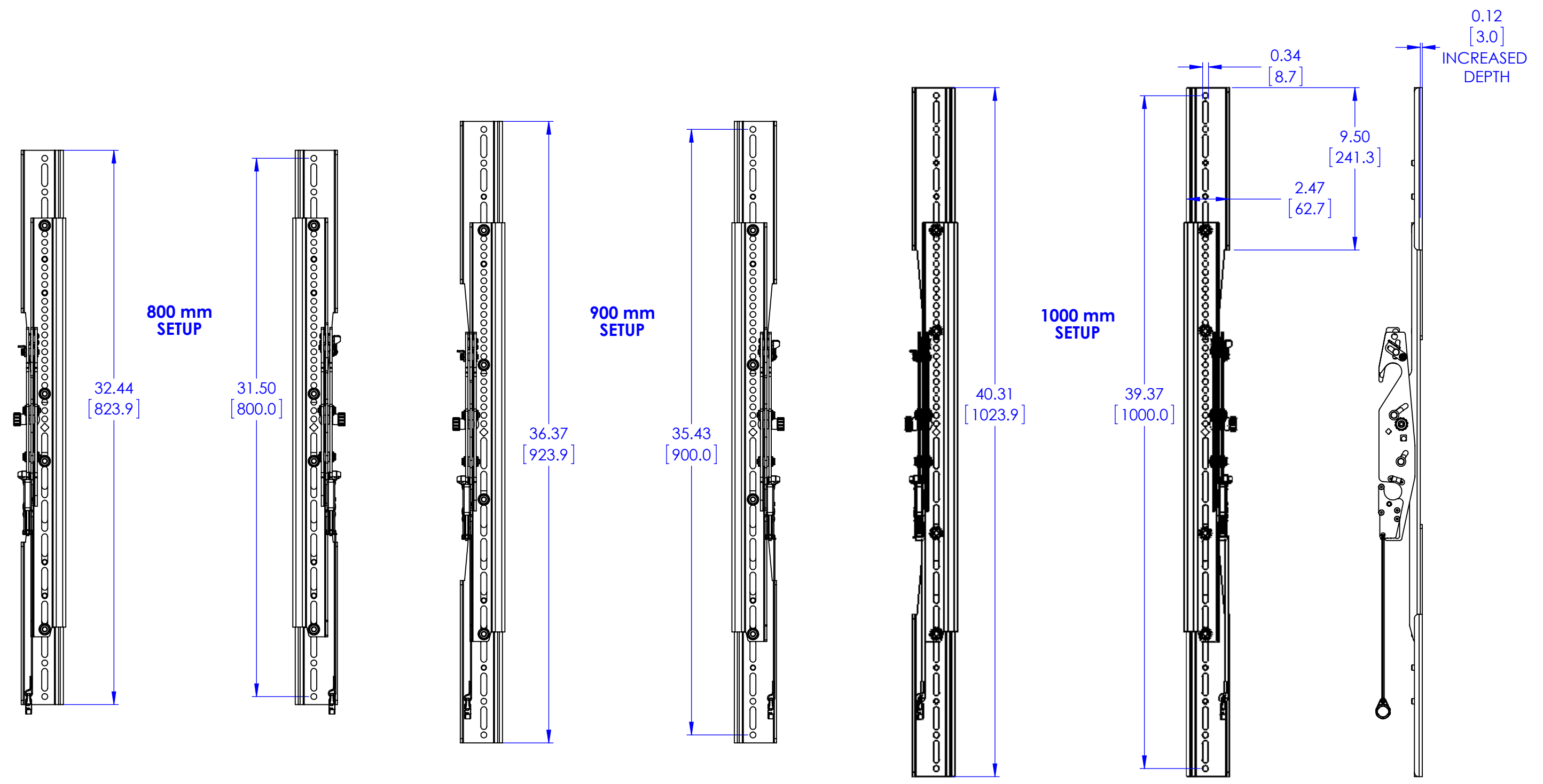


**THE INFORMATION AND DESIGNS CONTAINED IN THIS DRAWING ARE CONFIDENTIAL AND THE PROPRIETARY PROPERTY OF MILESTONE AV TECHNOLOGIES NEITHER THIS DESIGN NOR ANY INFORMATION CONTAINED IN THIS DRAWING MAY BE REPRODUCED OR DISCLOSED TO OTHERS WITHOUT THE EXPRESS WRITTEN CONSENT OF MILESTONE AV TECHNOLOGIES.**

CAD GENERATED DRAWING, DO NOT MANUALLY UPDATE.			6436 CITY WEST PKWY EDEN PRAIRIE, MN, 55344 PHONE: 866-977-3901 FAX: 877-894-6918
DRAWN BY	JAB	10/1/2014	
ENG APPROVAL			DESCRIPTION
MFG APPROVAL			<b>FUSION 1000 mm ADAPTER</b>
QA APPROVAL			MODEL NO.
SHEET 1 OF 3			<b>FHB-3038/5038/7038</b>
SCALE	1:4	SIZE	DWG. NO.
		<b>B</b>	<b>TECH-000655</b>
		REV.	<b>01</b>

ACCESSORY SHOWN ON XTM1U TILT UPRIGHTS  
NOT INCLUDED

D  
C  
B  
A

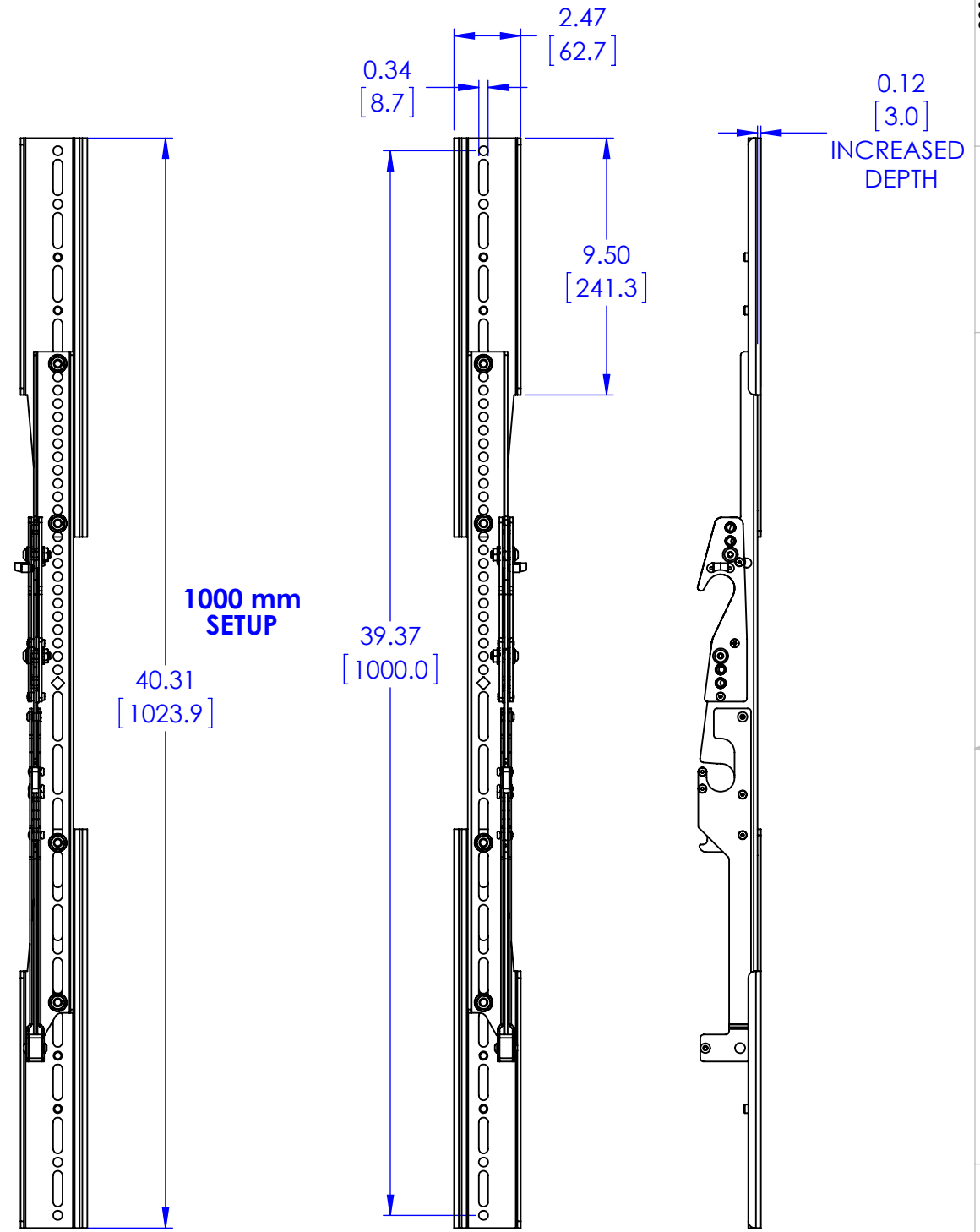
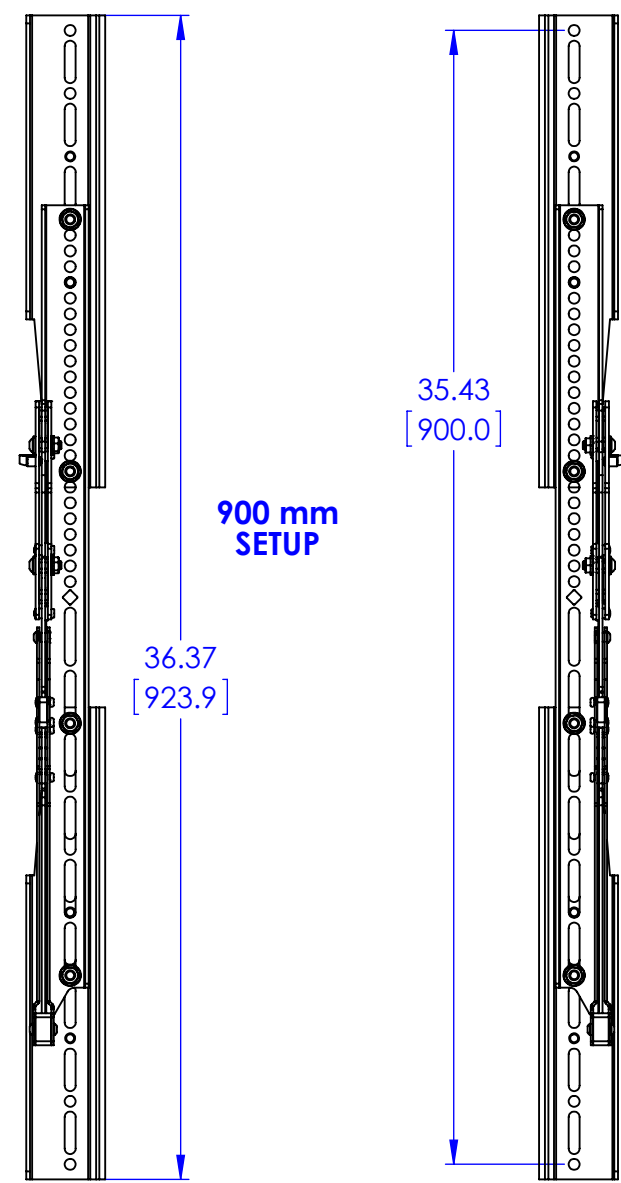
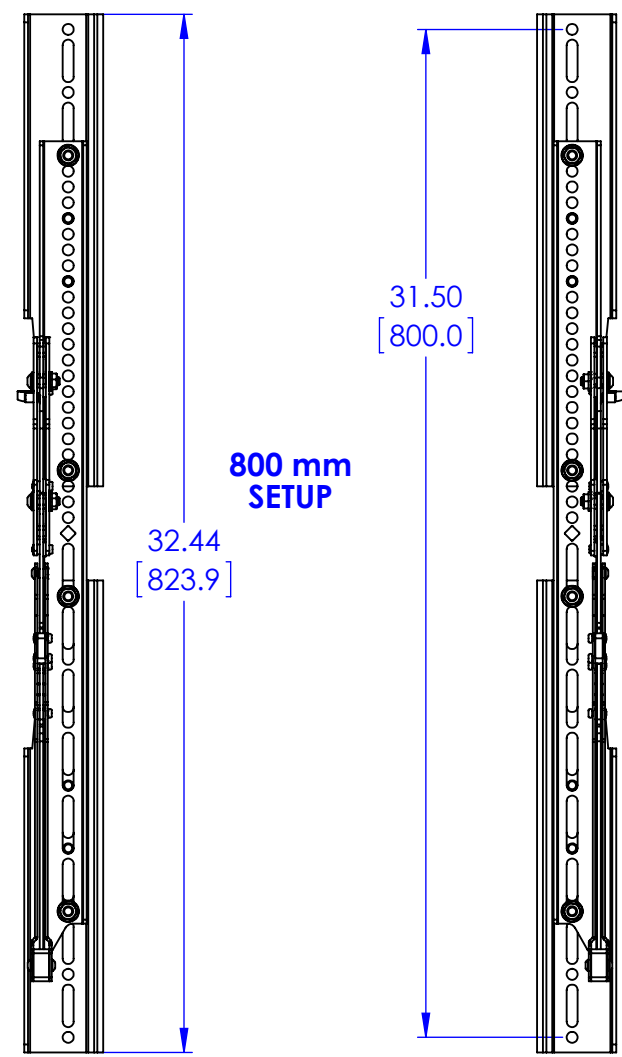


THE INFORMATION AND DESIGNS CONTAINED IN THIS DRAWING ARE CONFIDENTIAL AND THE PROPRIETARY PROPERTY OF MILESTONE AV TECHNOLOGIES NEITHER THIS DESIGN NOR ANY INFORMATION CONTAINED IN THIS DRAWING MAY BE REPRODUCED OR DISCLOSED TO OTHERS WITHOUT THE EXPRESS WRITTEN CONSENT OF MILESTONE AV TECHNOLOGIES.

CAD GENERATED DRAWING, DO NOT MANUALLY UPDATE.			6436 CITY WEST PKWY EDEN PRAIRIE MN, 55344 PHONE: 866-977-3901 FAX: 877-894-6918
DRAWN BY	JAB	10/1/2014	
ENG APPROVAL			DESCRIPTION
MFG APPROVAL			<b>FUSION 1000 mm ADAPTER</b>
QA APPROVAL			MODEL NO.
SHEET 2 OF 3			<b>FHB-3038/5038/7038</b>
SCALE	1:12	SIZE	DWG. NO.
		<b>B</b>	<b>TECH-000655</b>
		REV.	<b>01</b>

A

ACCESSORY SHOWN ON XSM1U STATIC UPRIGHTS  
NOT INCLUDED



THE INFORMATION AND DESIGNS CONTAINED IN THIS DRAWING ARE CONFIDENTIAL AND THE PROPRIETARY PROPERTY OF MILESTONE AV TECHNOLOGIES NEITHER THIS DESIGN NOR ANY INFORMATION CONTAINED IN THIS DRAWING MAY BE REPRODUCED OR DISCLOSED TO OTHERS WITHOUT THE EXPRESS WRITTEN CONSENT OF MILESTONE AV TECHNOLOGIES.

CAD GENERATED DRAWING, DO NOT MANUALLY UPDATE.		<p>6436 CITY WEST PKWY EDEN PRAIRIE MN, 55344 PHONE: 866-977-3901 FAX: 877-894-6918</p>
DRAWN BY	JAB 10/1/2014	
ENG APPROVAL		DESCRIPTION
MFG APPROVAL		FUSION 1000 mm ADAPTER
QA APPROVAL		MODEL NO.
		FHB-3038/5038/7038
SHEET 3 OF 3	SCALE 1:12	SIZE DWG. NO. B TECH-000655
		REV. 01