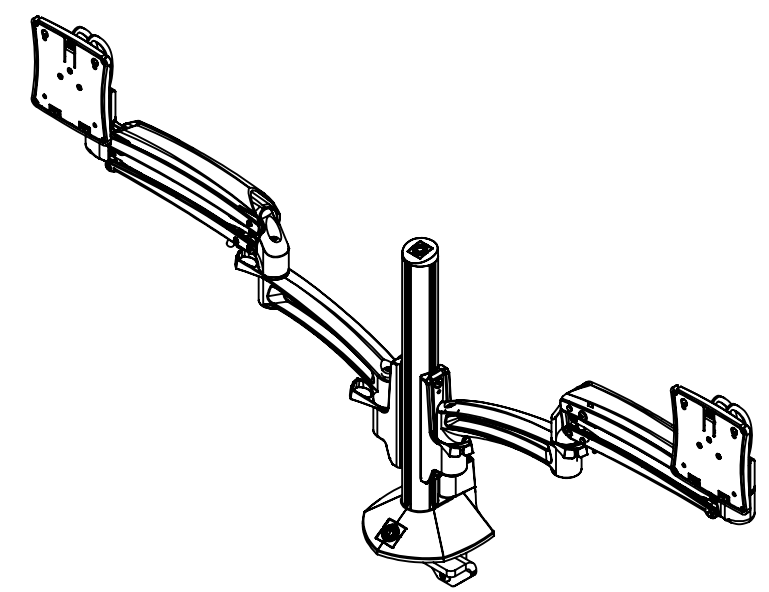
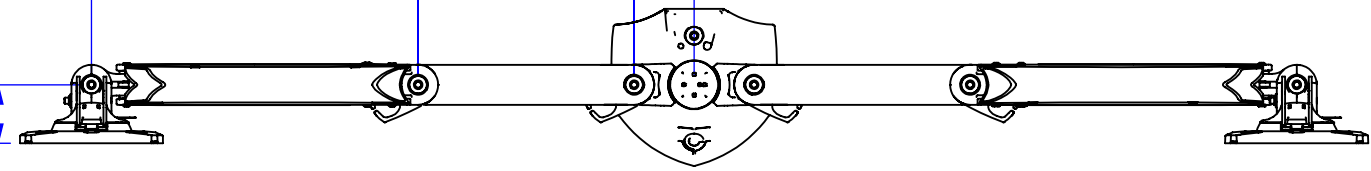


DYNAMIC LIT ARM
LENGTH RANGE
STRAIGHT = MAX
FULL UP/DOWN = MIN

10.21
7.12
[259.3]
[180.9]

6.75 [171.5] 1.88 [47.6]

1.83 [46.4]



INTERFACE
ROTATION
RANGE
±90°

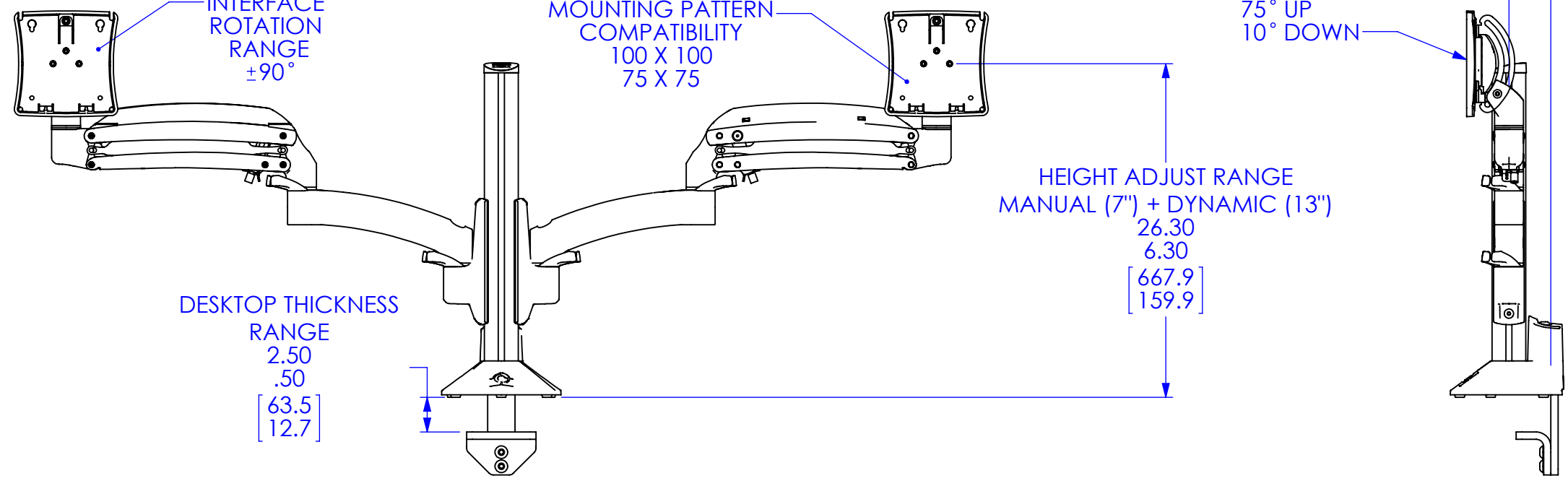
MOUNTING PATTERN
COMPATIBILITY
100 X 100
75 X 75

TILT RANGE
75° UP
10° DOWN

HEIGHT ADJUST RANGE
MANUAL (7") + DYNAMIC (13")

26.30
6.30
[667.9]
[159.9]

DESKTOP THICKNESS
RANGE
2.50
.50
[63.5]
[12.7]



1.81 [46]

THE INFORMATION AND DESIGNS CONTAINED IN THIS DRAWING ARE CONFIDENTIAL AND THE PROPRIETARY PROPERTY OF MILESTONE AV TECHNOLOGIES NEITHER THIS DESIGN NOR ANY INFORMATION CONTAINED IN THIS DRAWING MAY BE REPRODUCED OR DISCLOSED TO OTHERS WITHOUT THE EXPRESS WRITTEN CONSENT OF MILESTONE AV TECHNOLOGIES.

CAD GENERATED DRAWING, DO NOT MANUALLY UPDATE.			CHIEF		6436 CITY WEST PKWY EDEN PRAIRIE MN, 55344 PHONE: 866-977-3901 FAX: 877-894-6918
DRAWN BY	MW	6/2/2014	DESCRIPTION K1C220xXRH		
ENG APPROVAL			MODEL NO. K1C220xXRH		
MFG APPROVAL			SIZE DWG. NO. B TECH-000177		
QA APPROVAL			REV. 00		
SHEET 1 OF 1		SCALE 1:6			