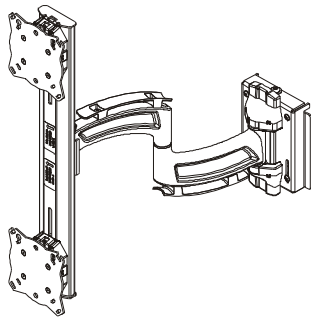
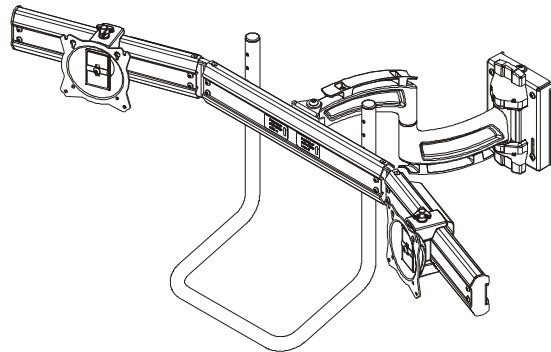


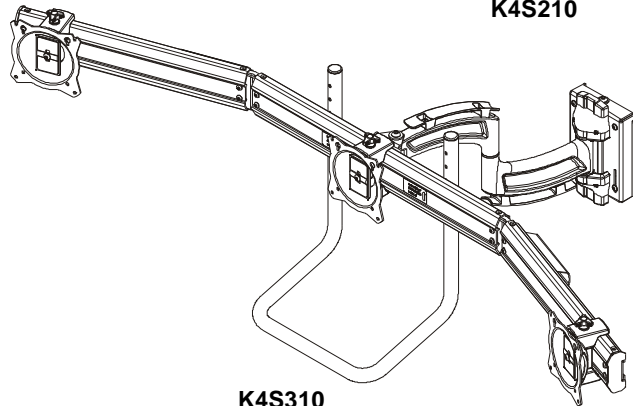
INSTALLATION INSTRUCTIONS



K4S120



K4S210



K4S310

Kontour™ Articulating Array Arm Slat Wall Mounts

DISCLAIMER

Milestone AV Technologies and its affiliated corporations and subsidiaries (collectively "Milestone"), intend to make this manual accurate and complete. However, Milestone makes no claim that the information contained herein covers all details, conditions or variations, nor does it provide for every possible contingency in connection with the installation or use of this product. The information contained in this document is subject to change without notice or obligation of any kind. Milestone makes no representation of warranty, expressed or implied, regarding the information contained herein. Milestone assumes no responsibility for accuracy, completeness or sufficiency of the information contained in this document.

Chief® is a registered trademark of Milestone AV Technologies. All rights reserved.



WARNING: Never operate this mounting system if it is damaged. Return the mounting system to a service center for examination and repair.



WARNING: Do not use this product outdoors.

--SAVE THESE INSTRUCTIONS--



IMPORTANT SAFETY INSTRUCTIONS



WARNING: A WARNING alerts you to the possibility of serious injury or death if you do not follow the instructions.



CAUTION: A CAUTION alerts you to the possibility of damage or destruction of equipment if you do not follow the corresponding instructions.



WARNING: Failure to read, thoroughly understand, and follow all instructions can result in serious personal injury, damage to equipment, or voiding of factory warranty! It is the installer's responsibility to make sure all components are properly assembled and installed using the instructions provided.



WARNING: Failure to provide adequate structural strength for this component can result in serious personal injury or damage to equipment! It is the installer's responsibility to make sure the structure to which this component is attached can support five times the combined weight of all equipment. Reinforce the structure as required before installing the component.

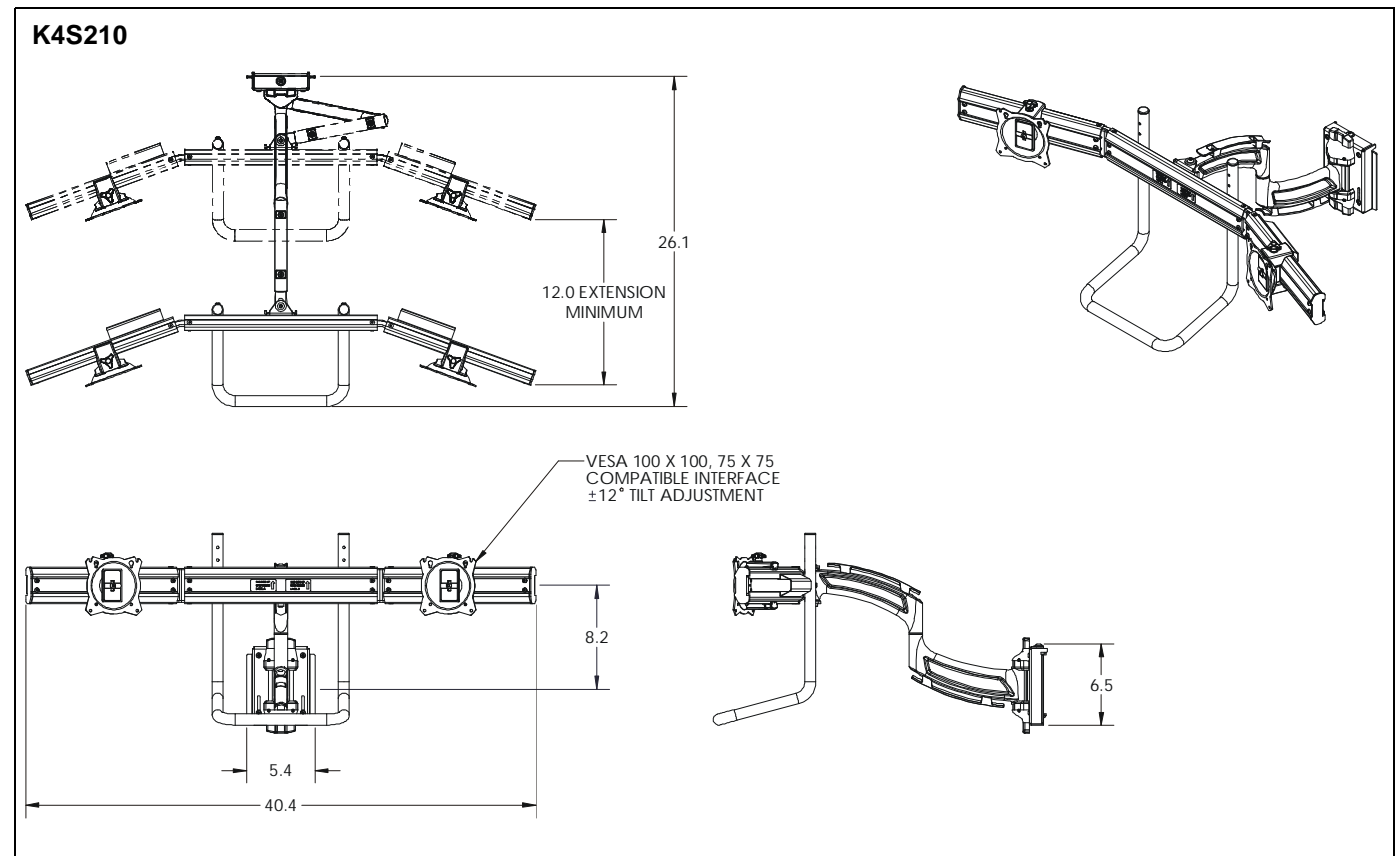
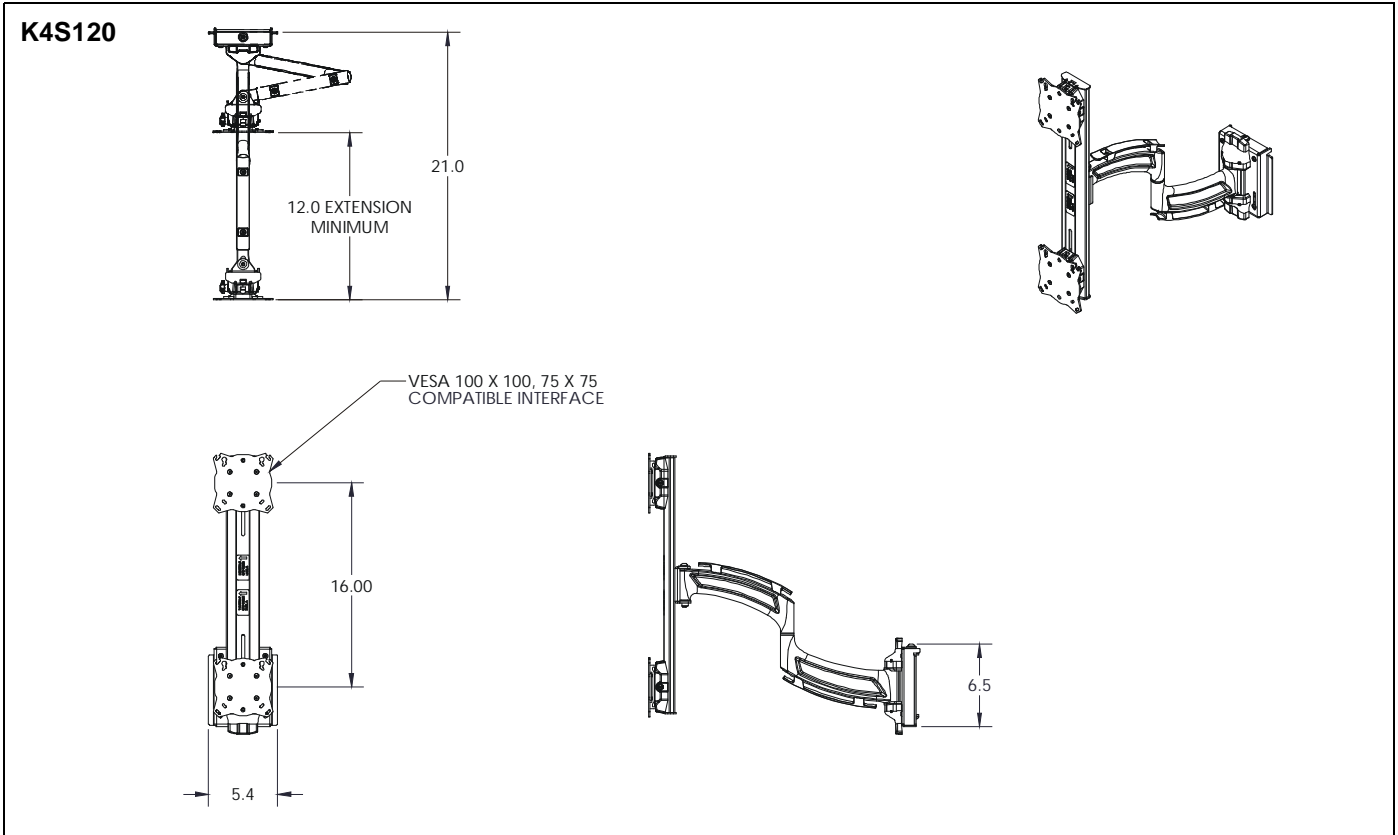


WARNING: Exceeding the weight capacity can result in serious personal injury or damage to equipment! It is the installer's responsibility to make sure the combined weight of all components located on the K4S120-210-310 mounts up to (and including) the display does not exceed 15 lbs (6.8 kg) per display.

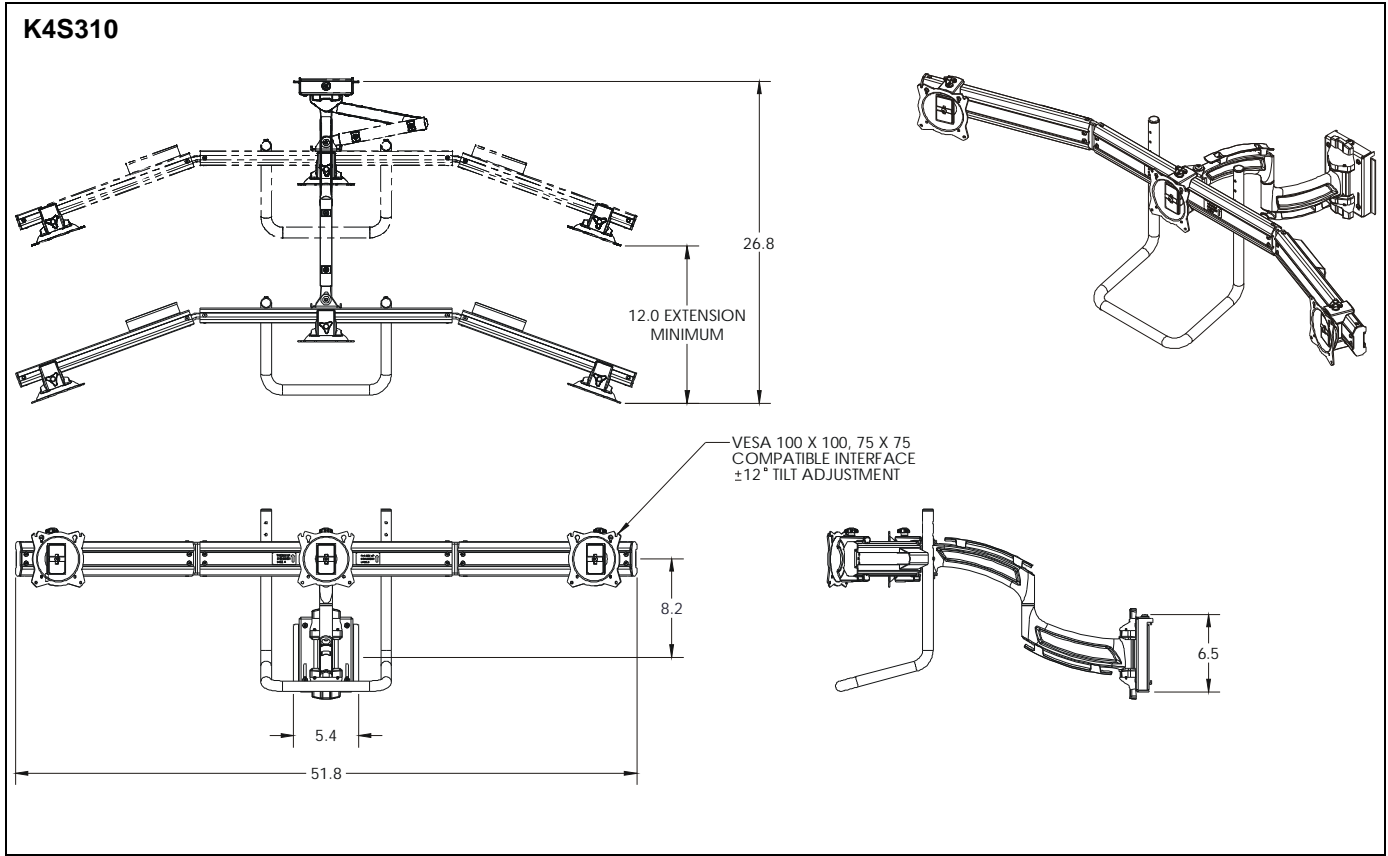


WARNING: Use this mounting system only for its intended use as described in these instructions. Do not use attachments not recommended by the manufacturer.

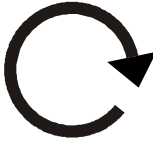

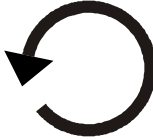









DIMENSIONS



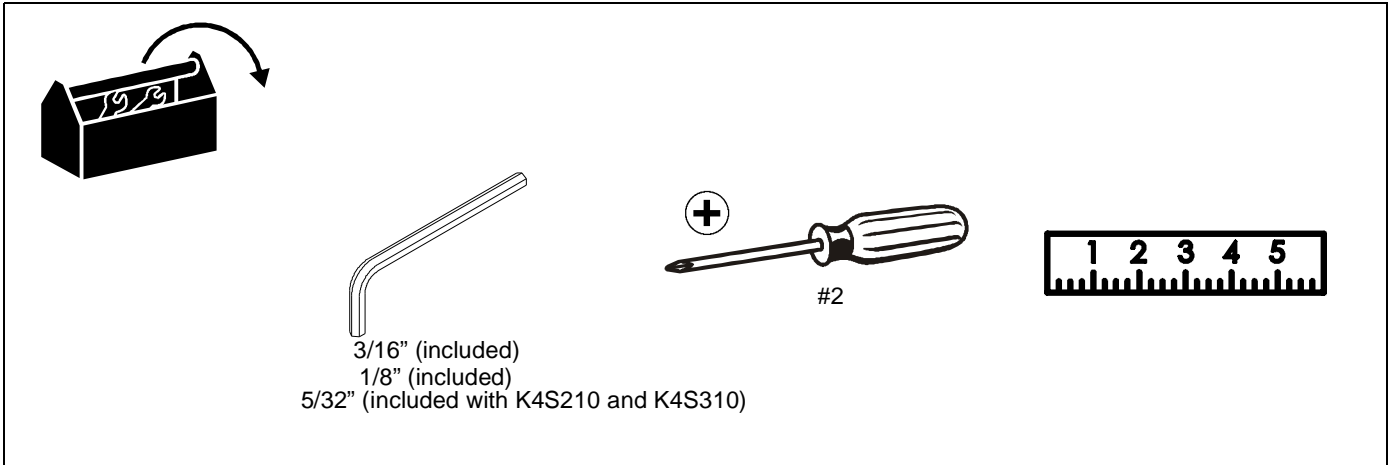
DIMENSIONS (CONTINUED)



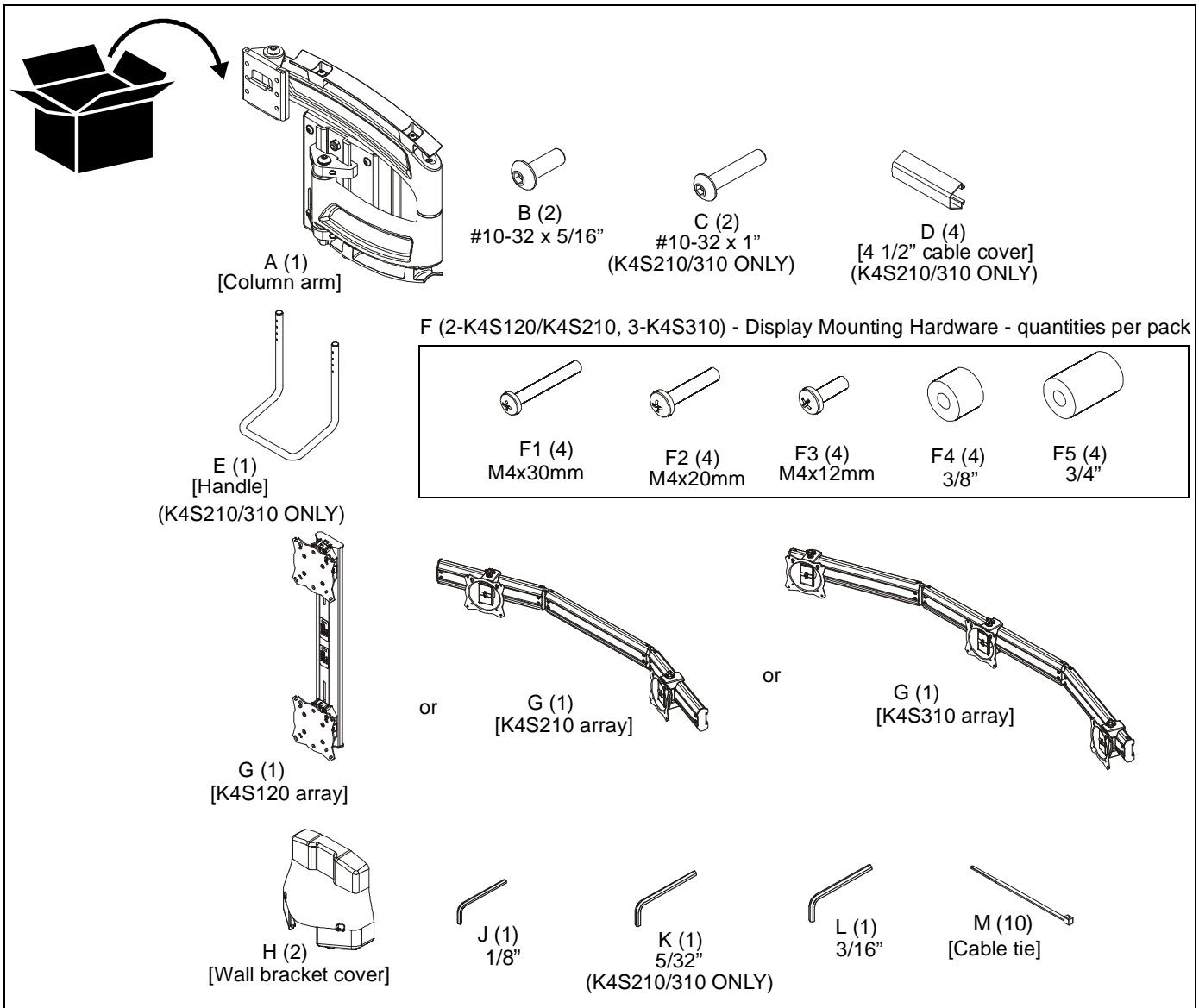
LEGEND

	Tighten Fastener Apretar elemento de fijación Befestigungsteil festziehen Apertar fixador Serrare il fissaggio Bevestiging vastdraaien Serrez les fixations		Pencil Mark Marcar con lápiz Stiftmarkierung Marcar com lápis Segno a matita Potloodmerkteken Marquage au crayon
	Loosen Fastener Aflojar elemento de fijación Befestigungsteil lösen Desapertar fixador Allentare il fissaggio Bevestiging losdraaien Desserrez les fixations		Drill Hole Perforar Bohrloch Fazer furo Praticare un foro Gat boren Percez un trou
	Phillips Screwdriver Destornillador Phillips Kreuzschlitzschraubendreher Chave de fendas Phillips Cacciavite a stella Kruiskopschroevendraaier Tournevis à pointe cruciforme		Adjust Ajustar Einstellen Ajustar Regolare Afstellen Ajuster
	Open-Ended Wrench Llave de boca Gabelschlüssel Chave de bocas Chiave a punte aperte Steeksleutel Clé à fourche		Remove Quitar Entfernen Remover Rimuovere Verwijderen Retirez
	By Hand A mano Von Hand Com a mão A mano Met de hand À la main		Optional Opcional Optional Opcional Opzionale Optie En option
	Hex-Head Wrench Llave de cabeza hexagonal Sechskantschlüssel Chave de cabeça sextavada Chiave esagonale Zeskantsleutel Clé à tête hexagonale		Security Wrench Llave de seguridad Sicherheitsschlüssel Chave de segurança Chiave di sicurezza Veiligheidsleutel Clé de sécurité

TOOLS REQUIRED FOR INSTALLATION



PARTS



Assembly And Installation

1. Determine mounting location.
2. Hang wall bracket of mounting arm (A) onto slat wall at desired mounting location by inserting the upper mounting plate into wall track. (See Figure 1)
3. Let lower mounting plate rest against slat wall.

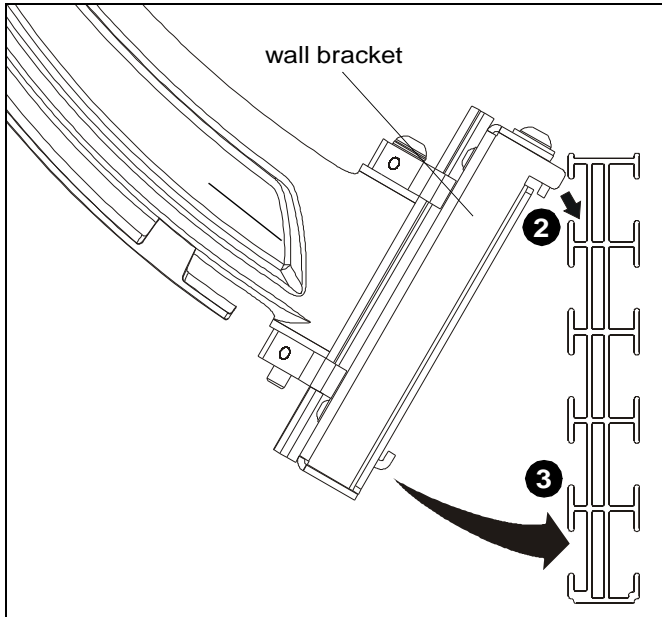


Figure 1

4. Using 3/16" hex key (L), turn adjustment screw clockwise to lower mounting plate until it is able to easily slide into wall track. (See Figure 2)
5. Using 3/16" hex key (L), turn adjustment screw counter-clockwise to raise lower mounting plate until bracket is fully secured to slat wall. (See Figure 2)

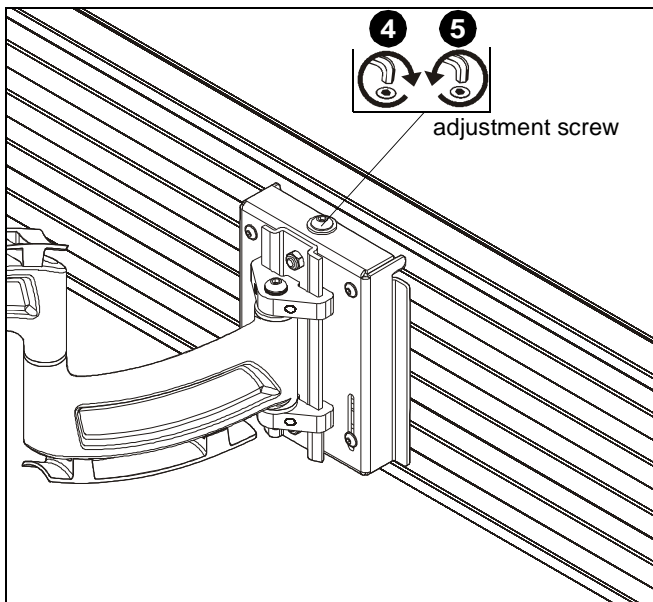


Figure 2

6. Hang array arm (G) onto column arm faceplate using the mounting tab on the faceplates. (See Figure 3)

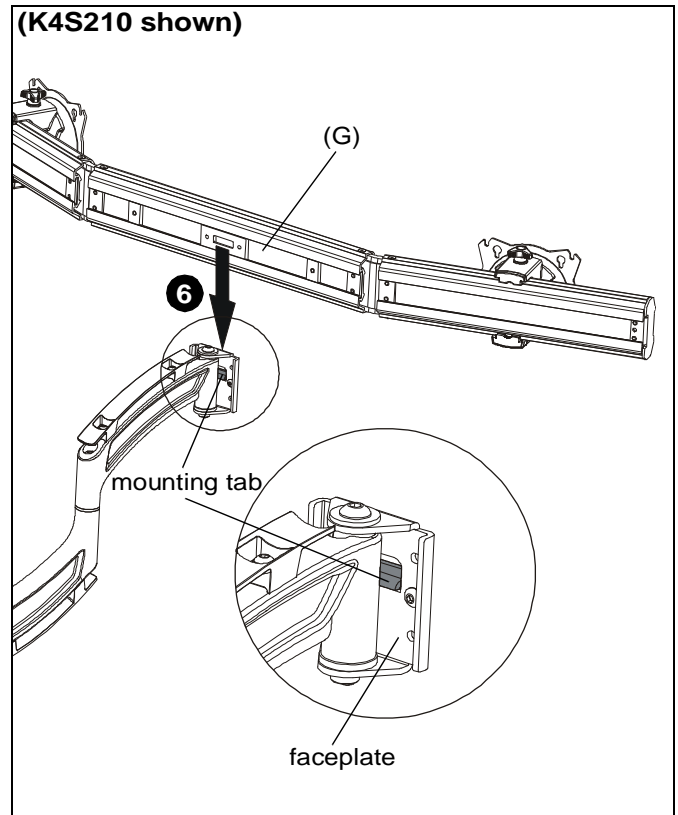


Figure 3

7. Use two #10-32 x 5/16" button head cap screws (B) to secure column arm to array (G). (See Figure 4)

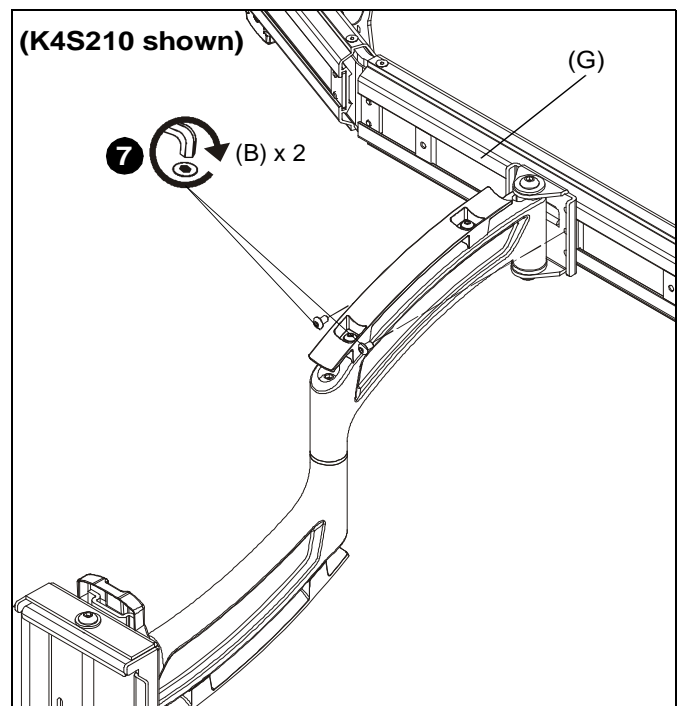


Figure 4

8. Use two #10-32 x 1" button head cap screws (C) to secure two handle (E) to array arm (G). (See Figure 5)

NOTE: Keep in mind the size of the display when selecting which holes to use to attach the handles.

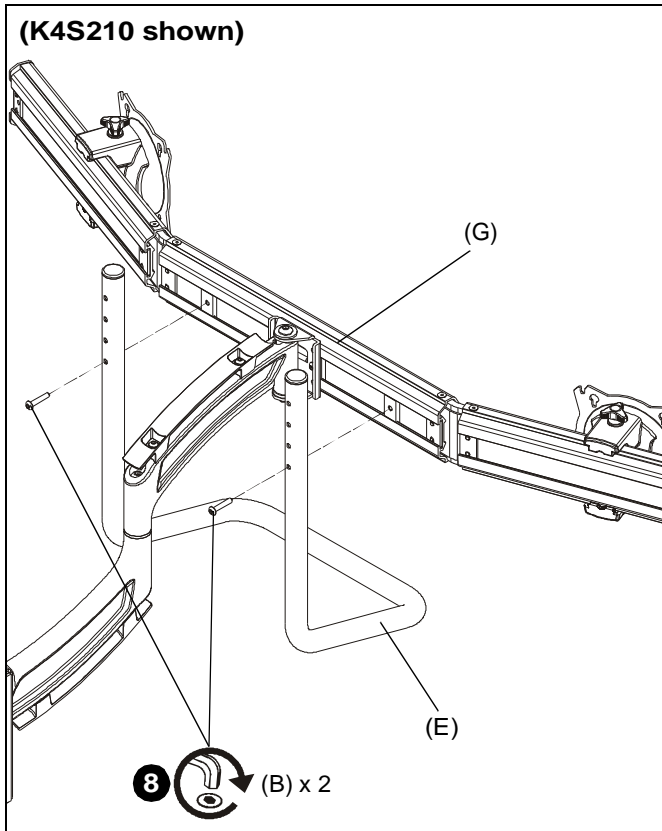


Figure 5

9. Install two wall bracket covers (H) onto wall bracket. (See Figure 6)

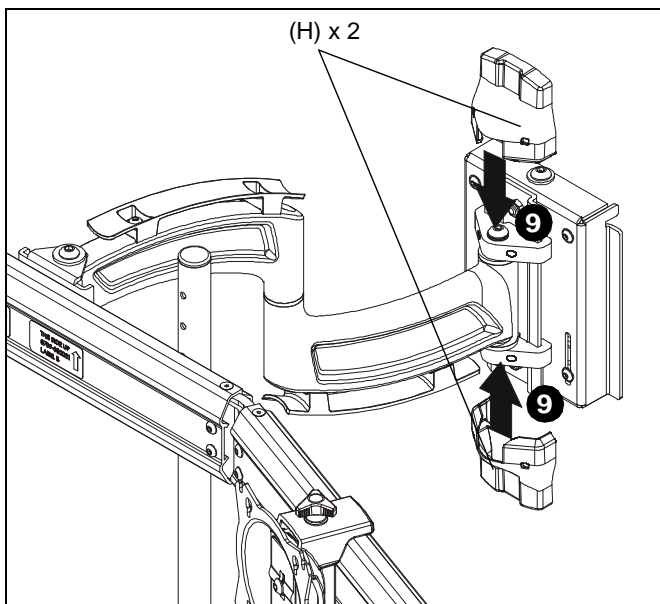


Figure 6

Display Installation



WARNING: Exceeding the weight capacity can result in serious personal injury or damage to equipment! It is the installer's responsibility to make sure the combined weight of all components located on the K4S120-210-310 mounts up to (and including) the display does not exceed 15 lbs (6.8 kg) per display.



CAUTION: Using screws of improper size may damage your display! Proper screws will easily thread into display mounting holes.

NOTE: Supplied screws (F1, F2 and F3) may not fit properly for all displays. See display's operating instructions for details.

Flush Mounting Holes

1. Position faceplate in desired mounting position. Adjust as required before proceeding. See Height Adjustment Section for details.
2. Using Phillips screwdriver, carefully install two M4 x 12mm Phillips pan machine screws (F3) into the *upper* mounting holes on the display. Thread screws completely into display, then back out 3 complete turns. (See Figure 7)

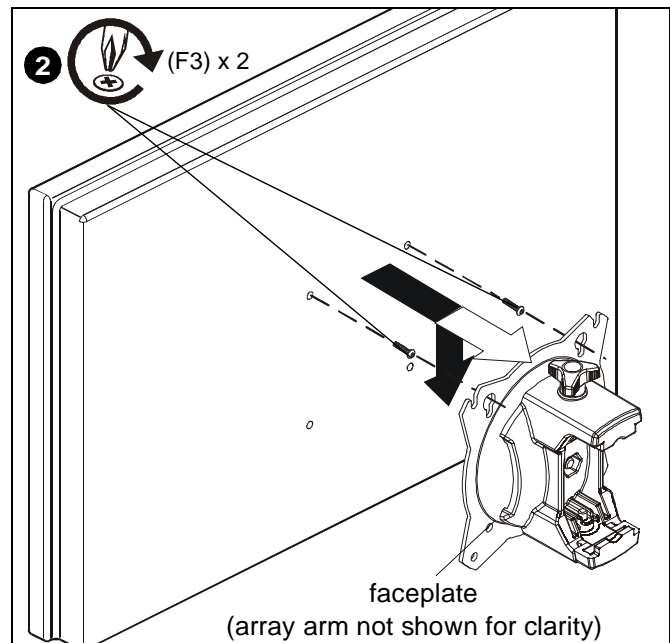


Figure 7

3. Pick up and align display so that screws (F3) (installed on the back of the display in the previous step) fit into the mounting holes on the faceplate. Lower the display firmly into place. (See Figure 7)

- Using Phillips screwdriver, install two M4x12 mm Phillips pan machine screws (F3) through the *lower* mounting holes on faceplate into the display. (See Figure 8)

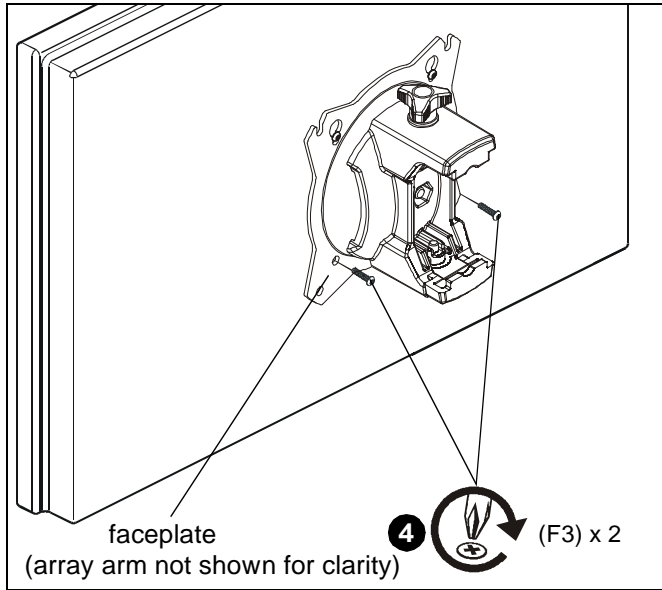


Figure 8

- Tighten all four screws (F3). Do not over-tighten!

NOTE: If roll adjustment is desired for center faceplate, do not tighten screws.

- Repeat Steps 1-5 for other displays.
- Proceed to Cable Management Section.

Recessed Mounting Holes

NOTE: If faceplate does not fit into recessed area of display, proceed with the steps in this section.

- Determine depth of recessed mounting holes relative to back surface of display (against which faceplate will contact).
- Select proper length spacer and screw from table below:

NOTE: All spacers used should be the same length. If the recess depths result in multiple spacer lengths, then select the longer spacer.

IF recess DEPTH is:	THEN use spacer:	AND screw:
3/8" or less	F4 (3/8" long)	F2 (M4 x 20mm)
More than 3/8" up to and including 3/4"	F5 (3/4" long)	F1 (M4 x 30mm)



CAUTION: Using screws of improper size may damage your display! Proper screws will easily and completely thread into display mounting holes.

- Using Phillips screwdriver, carefully install two selected screws (F1 or F2) through selected spacers (F4 or F5) into the *upper* mounting holes on the display. Thread screws completely into display, then back out 3 complete turns. (See Figure 9)

- Pick up and align display so that screws (F1 or F2) (installed on the back of the display in the previous step) fit into the mounting holes on the faceplate. Lower the display firmly into place. (See Figure 9)

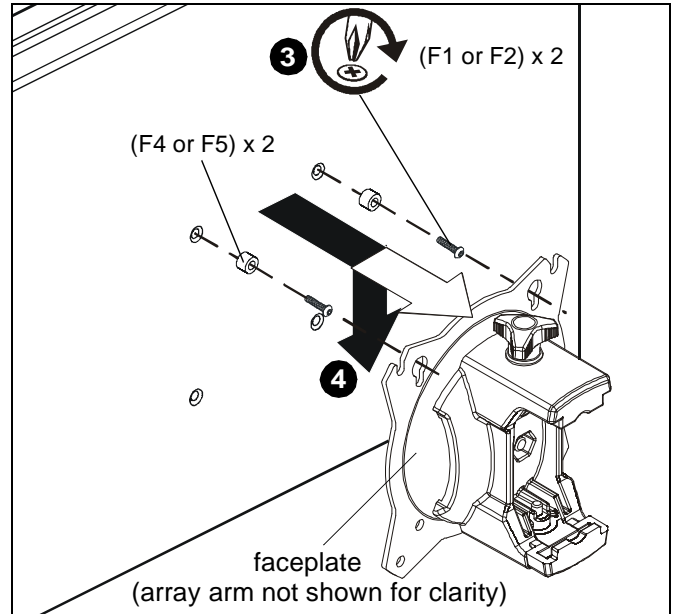


Figure 9

- Slide two remaining selected spacers (F4 or F5) in between faceplate and display, positioning them over the *lower* two mounting holes. (See Figure 10)
- Install two remaining selected screws (F1 or F2) through *lower* two mounting holes on faceplate, selected spacers (F4 or F5) into the *lower* mounting holes on the display. (See Figure 10)

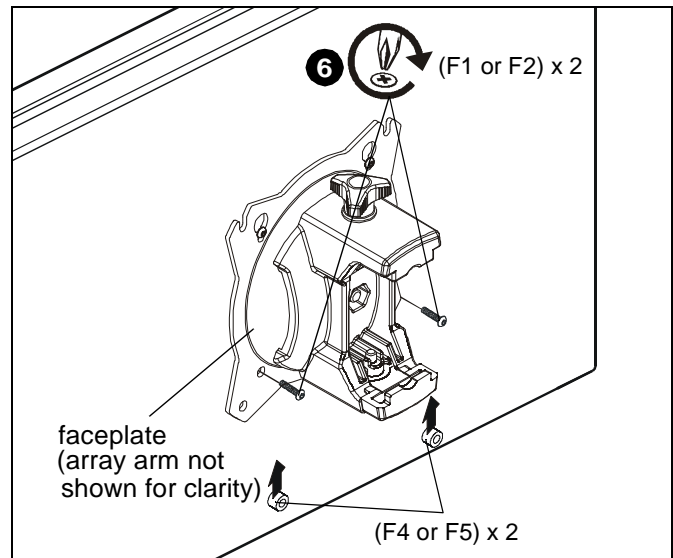


Figure 10

- Tighten all four screws. Do not over-tighten!

Lateral Shift

1. Loosen knob on top of faceplate assembly until faceplate can slide freely along array. (See Figure 14)
2. Adjust lateral position as desired. (See Figure 14)
3. Tighten knob to secure lateral position. (See Figure 14)

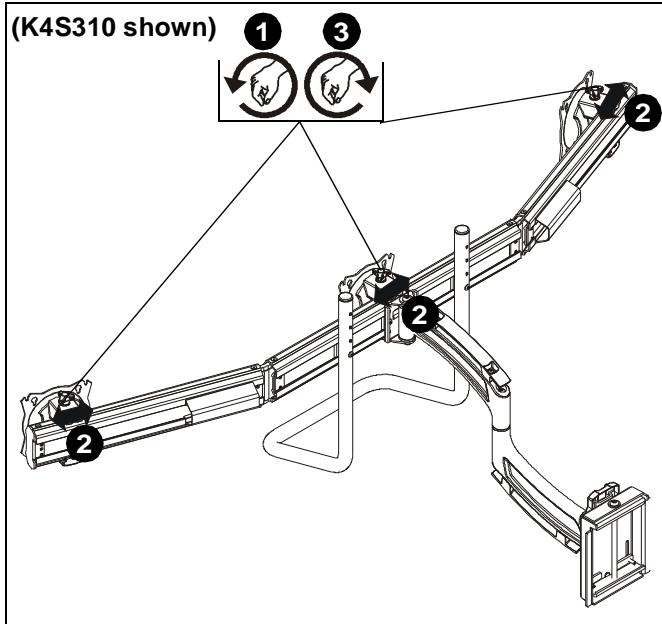


Figure 14

Pitch/Roll/Yaw Adjustment

1. Loosen knob on top of faceplate assembly. (See Figure 15)
2. Adjust pitch, roll and/or yaw as desired. (See Figure 15)
3. Tighten knob to secure desired faceplate position. (See Figure 15)

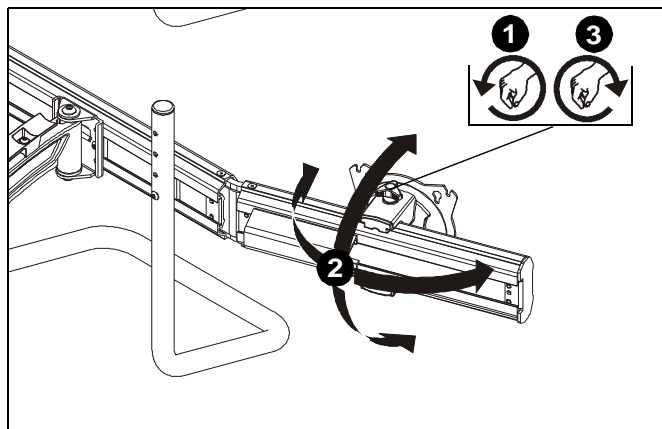


Figure 15

Cable Management

1. (K4S210 and K4S310 ONLY) Install two 4 1/2" cable covers (D) to array arms. (See Figure 16)

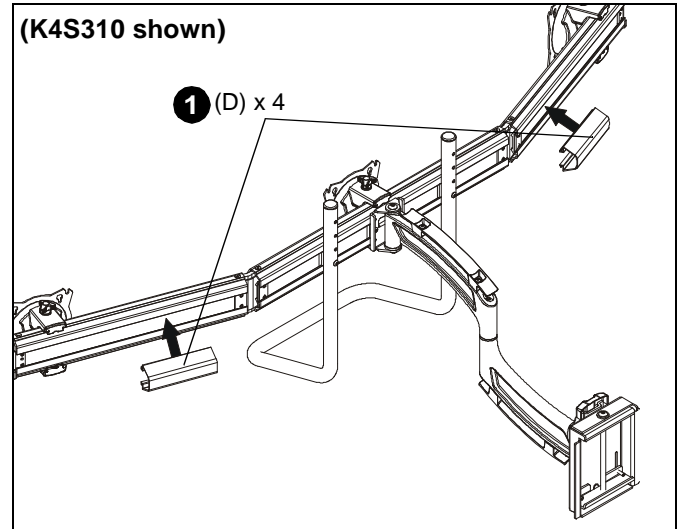


Figure 16

2. Route cables from display through cable management covers (M) on array arms as desired. (See Figure 17)
3. Route cables along swing arms, using cable ties (W) to secure cables to arms. (See Figure 17)
4. Route cables through cable management covers on columns (L) as desired. (See Figure 17)

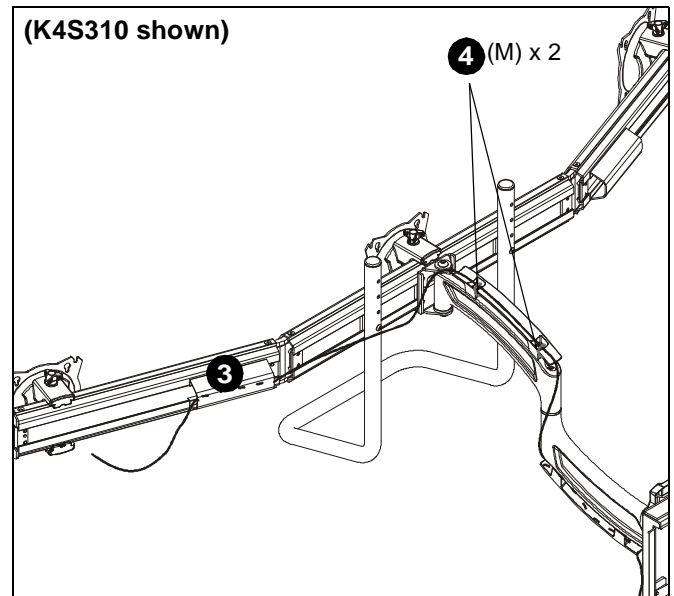


Figure 17



Our Mounts. **Your Vision.**

Chief, a products division of
Milestone AV Technologies

8800-002608 Rev00
©2014 Milestone AV Technologies
www.chiefmfg.com
06/14

USA/International	A 6436 City West Parkway, Eden Prairie, MN 55344 P 800.582.6480 / 952.225.6000 F 877.894.6918 / 952.894.6918
Europe	A Franklinstraat 14, 6003 DK Weert, Netherlands P +31 (0) 495 580 852 F +31 (0) 495 580 845
Asia Pacific	A Office No. 918 on 9/F, Shatin Galleria 18-24 Shan Mei Street Fotan, Shatin, Hong Kong P 852 2145 4099 F 852 2145 4477

