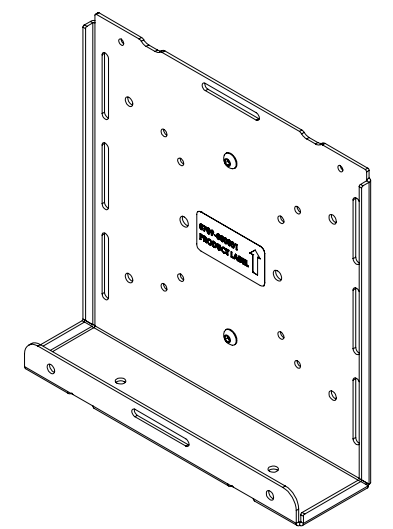
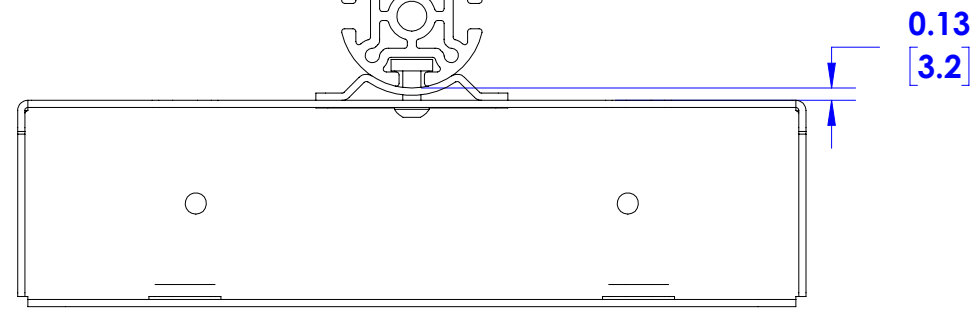


KONTOUR SERIES COLUMN  
FOR ILLUSTRATION PURPOSES



1.7" MAX  
THIN CLIENT  
DEPH

2.15  
[54.6]

8" MAX THIN CLIENT WIDTH

100X100 MM PATTERN

75X75 MM  
PATTERN

8" MAX  
THIN CLIENT  
HEIGHT

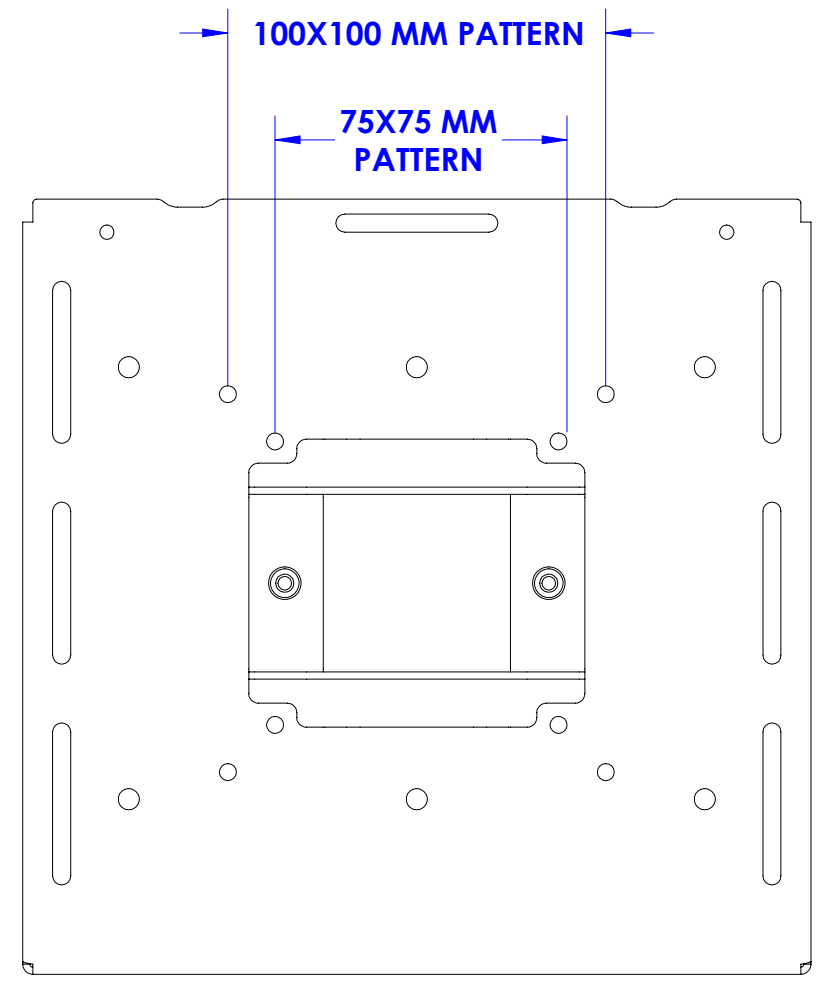
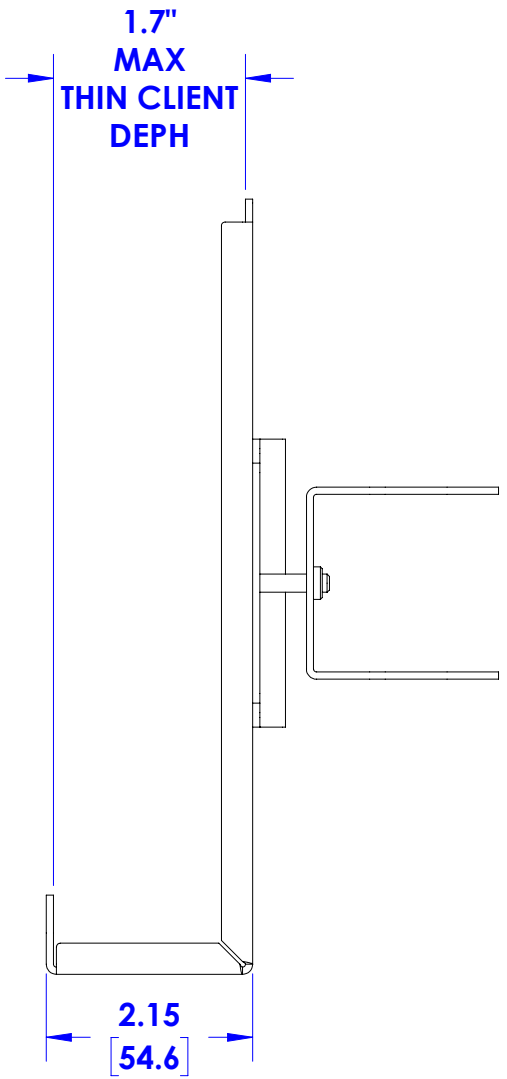
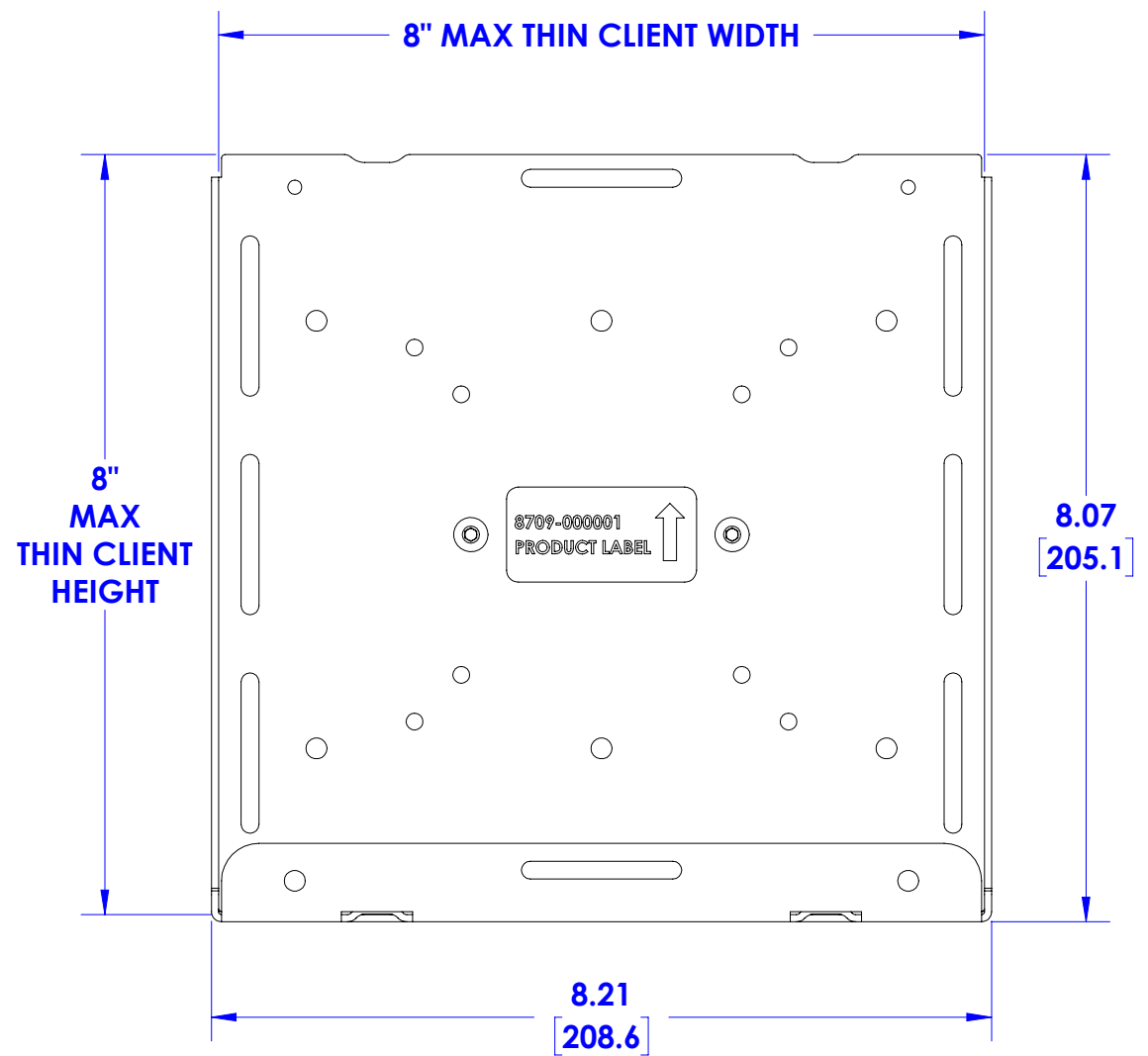
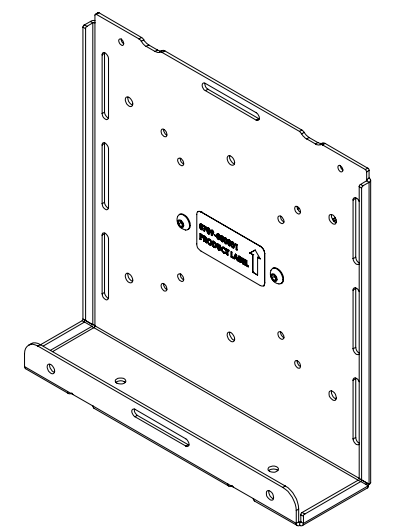
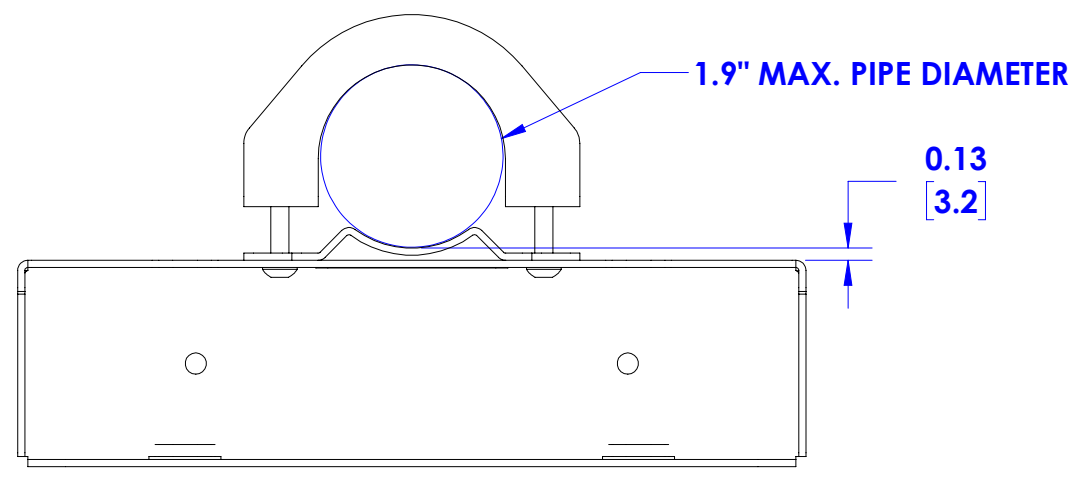
8709-000001  
PRODUCT LABEL

8.07  
[205.1]

8.21  
[208.6]

THE INFORMATION AND DESIGNS CONTAINED IN THIS DRAWING ARE CONFIDENTIAL AND THE PROPRIETARY PROPERTY OF MILESTONE AV TECHNOLOGIES NEITHER THIS DESIGN NOR ANY INFORMATION CONTAINED IN THIS DRAWING MAY BE REPRODUCED OR DISCLOSED TO OTHERS WITHOUT THE EXPRESS WRITTEN CONSENT OF MILESTONE AV TECHNOLOGIES.

CAD GENERATED DRAWING, DO NOT MANUALLY UPDATE.				6436 CITY WEST PKWY EDEN PRAIRIE MN, 55344 PHONE: 866-977-3901 FAX: 877-894-6918	
DRAWN BY	JN	11/27/2018		DESCRIPTION	THIN-CLIENT PC MNT, CLMN/POLE
ENG APPROVAL			MODEL NO.	KRA232B/KRA232PB	
MFG APPROVAL			SIZE	DWG. NO.	REV.
QA APPROVAL			B	TECH-000963	00
SHEET 1 OF 2			SCALE	1:2	



THE INFORMATION AND DESIGNS CONTAINED IN THIS DRAWING ARE CONFIDENTIAL AND THE PROPRIETARY PROPERTY OF MILESTONE AV TECHNOLOGIES NEITHER THIS DESIGN NOR ANY INFORMATION CONTAINED IN THIS DRAWING MAY BE REPRODUCED OR DISCLOSED TO OTHERS WITHOUT THE EXPRESS WRITTEN CONSENT OF MILESTONE AV TECHNOLOGIES.

CAD GENERATED DRAWING, DO NOT MANUALLY UPDATE.			<b>CHIEF</b>	6436 CITY WEST PKWY EDEN PRAIRIE MN, 55344 PHONE: 866-977-3901 FAX: 877-894-6918	
DRAWN BY	JN	11/27/2018		DESCRIPTION	THIN-CLIENT PC MNT, CLMN/POLE
ENG APPROVAL			MODEL NO.	KRA232B/KRA232PB	
MFG APPROVAL			SIZE	DWG. NO.	REV.
QA APPROVAL			B	TECH-000963	00
SHEET 2 OF 2			SCALE	1:2	