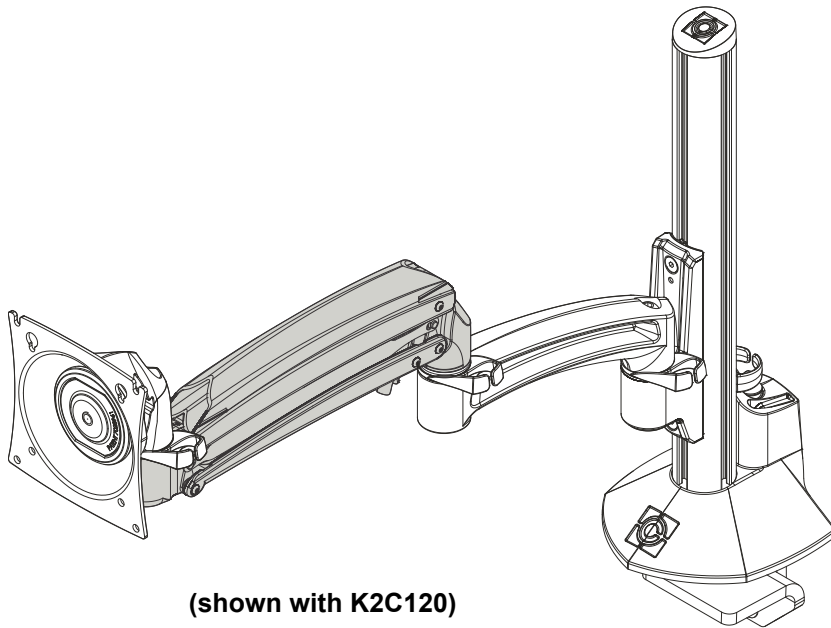

INSTALLATION INSTRUCTIONS



(shown with K2C120)

Kontour™ Lifting Arm Accessory

DISCLAIMER

Milestone AV Technologies and its affiliated corporations and subsidiaries (collectively "Milestone"), intend to make this manual accurate and complete. However, Milestone makes no claim that the information contained herein covers all details, conditions or variations, nor does it provide for every possible contingency in connection with the installation or use of this product. The information contained in this document is subject to change without notice or obligation of any kind. Milestone makes no representation of warranty, expressed or implied, regarding the information contained herein. Milestone assumes no responsibility for accuracy, completeness or sufficiency of the information contained in this document.

Chief® and Kontour™ are registered trademarks of Milestone AV Technologies. All rights reserved.

DEFINITIONS

MOUNTING SYSTEM: A MOUNTING SYSTEM is the primary Chief product to which an accessory and/or component is attached.

ACCESSORY: AN ACCESSORY is the secondary Chief product which is attached to a primary Chief product, and may have a component attached or setting on it.

COMPONENT: A COMPONENT is an audiovisual item designed to be attached or resting on an accessory or mounting system such as a video camera, CPU, screen, display, projector, etc.



WARNING: A WARNING alerts you to the possibility of serious injury or death if you do not follow the instructions.



CAUTION: A CAUTION alerts you to the possibility of damage or destruction of equipment if you do not follow the corresponding instructions.



IMPORTANT SAFETY INSTRUCTIONS!



WARNING: Failure to read, thoroughly understand, and follow all instructions can result in serious personal injury, damage to equipment, or voiding of factory warranty! It is the installer's responsibility to make sure all components are properly assembled and installed using the instructions provided.



WARNING: Use this accessory only for its intended use as described in these instructions. Do not use attachments not recommended by the manufacturer.



WARNING: Do NOT use KRA245 lifting arms to create mounting arms greater than three links long!



WARNING: Exceeding the weight capacity can result in serious personal injury or damage to equipment! It is the installer's responsibility to make sure the combined weight of

all components attached to the K2 Series Monitor Arm with the KRA240 accessory up to (and including) the display does not exceed the weight limits listed in the table. See graphic on Page 3 for a quick reference of all K2 models. The two columns indicate whether the KRA is being used with the mount as a replacement arm or as an extension arm. Use with products heavier than the maximum weight indicated may result in collapse of the mount and its accessories causing possible injury.

MODEL	Max Weight Allowed for EACH Display - with KRA240 as a replacement arm	Max Weight Allowed for EACH Display - with KRA as an extension arm
K2C110	25 lbs (11.34 kg)	25 lbs (11.34 kg)
K2C120	25 lbs (11.34 kg)	10 lbs (4.5 kg)
K2C220	25 lbs (11.34 kg)	10 lbs (4.5 kg)
K2C120SXF1	25 lbs (11.34 kg)	10 lbs (4.5 kg)
K2C220SXF1	25 lbs (11.34 kg)	10 lbs (4.5 kg)
K2C22H	9 lbs (4.08 kg)	incompatible
K2C22HSXF1	9 lbs (4.08 kg)	incompatible
K2P110	25 lbs (11.34 kg)	25 lbs (11.34 kg)
K2P120	25 lbs (11.34 kg)	10 lbs (4.5 kg)
K2P220	25 lbs (11.34 kg)	10 lbs (4.5 kg)
K2P22H	9 lbs (4.08 kg)	incompatible
K2W110	25 lbs (11.34 kg)	25 lbs (11.34 kg)
K2W120	25 lbs (11.34 kg)	10 lbs (4.5 kg)
K2W220	25 lbs (11.34 kg)	10 lbs (4.5 kg)
K2W21H	9 lbs (4.08 kg)	incompatible
K2W22H	9 lbs (4.08 kg)	incompatible



WARNING: Never operate this accessory if it is damaged. Return the accessory to a service center for examination and repair.

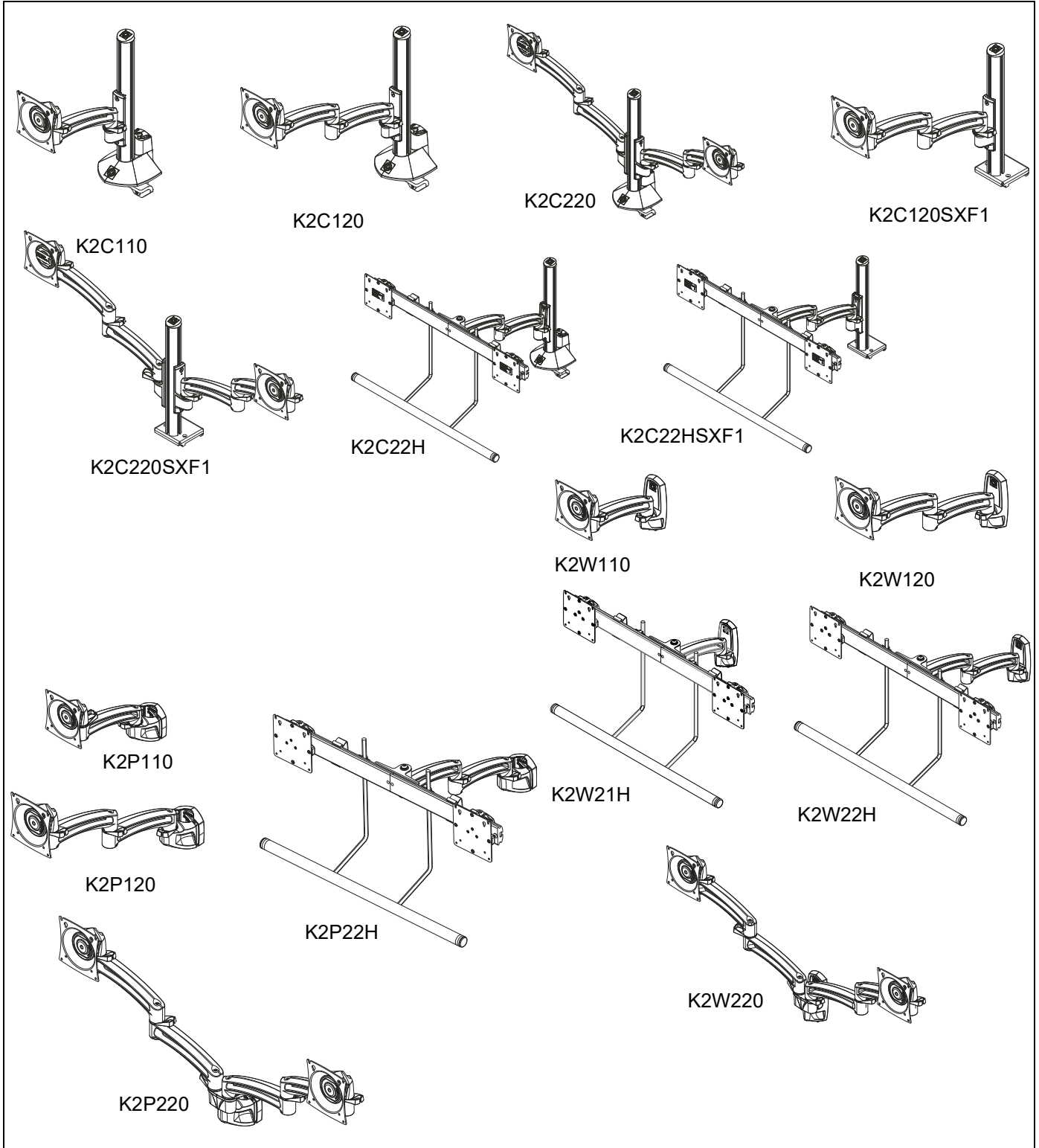
IMPORTANT ! : The KRA240 accessory is designed to be used only with the K2 mounts shown. Do NOT attempt to install onto any other mounting system.

--SAVE THESE INSTRUCTIONS--

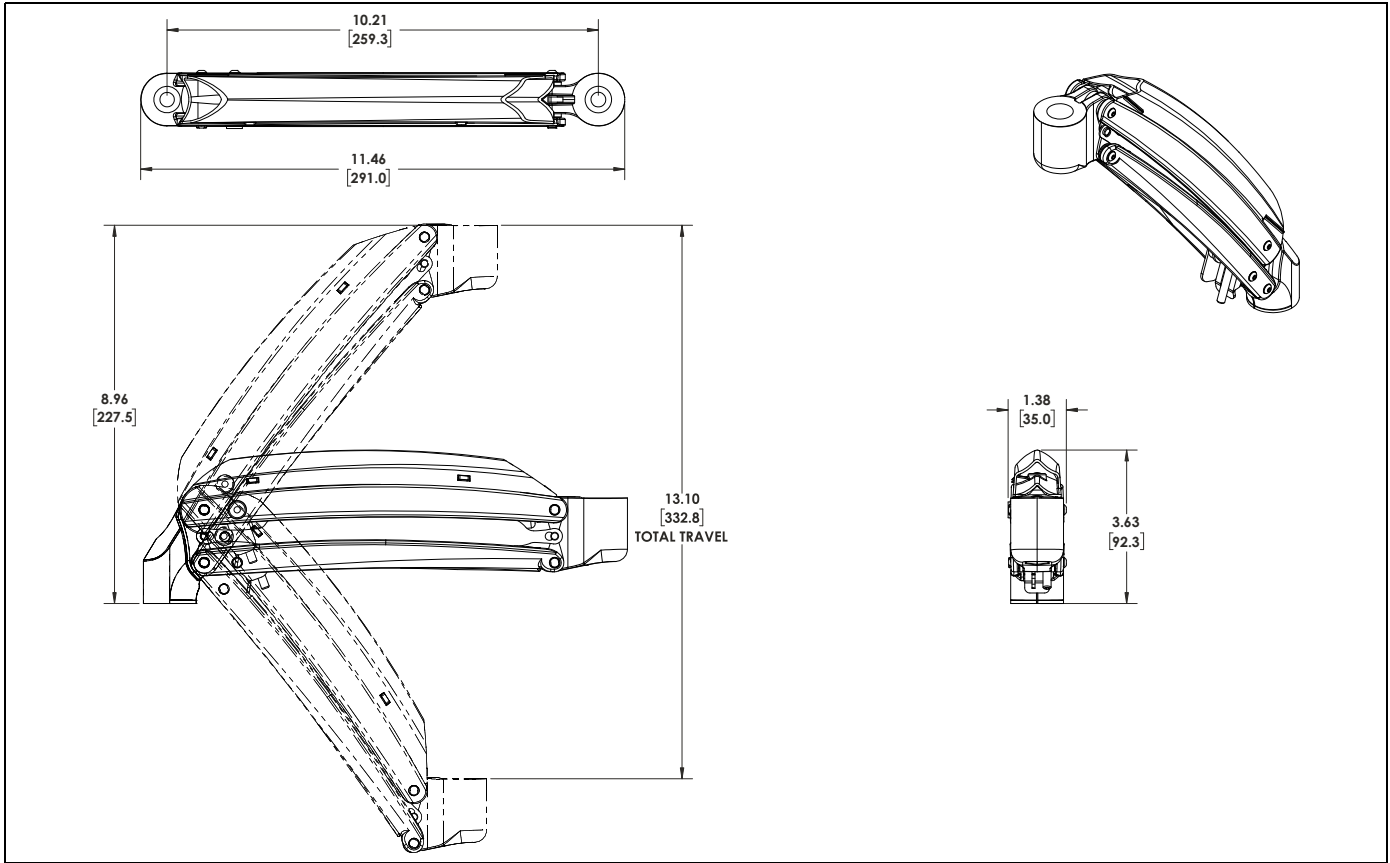


WARNING: Do not use this product outdoors.

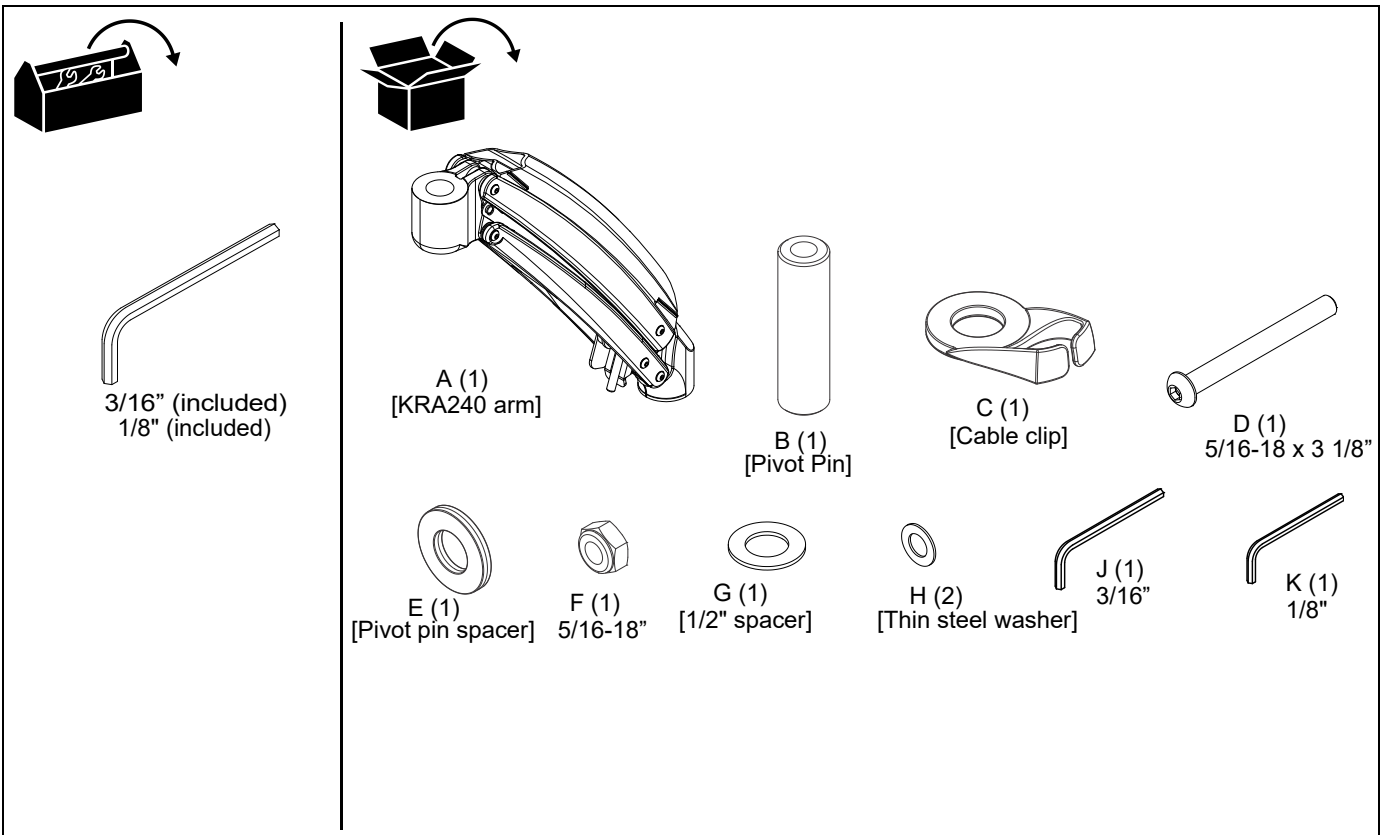
K2 Models



DIMENSIONS



TOOLS / PARTS FOR INSTALLATION



ASSEMBLY AND INSTALLATION

As a Replacement Arm

1. Remove arm to be replaced from mount by loosening button head cap screws until arm is completely disengaged from the bolts. (See Figure 1)
2. Set aside all mounting hardware for reuse.

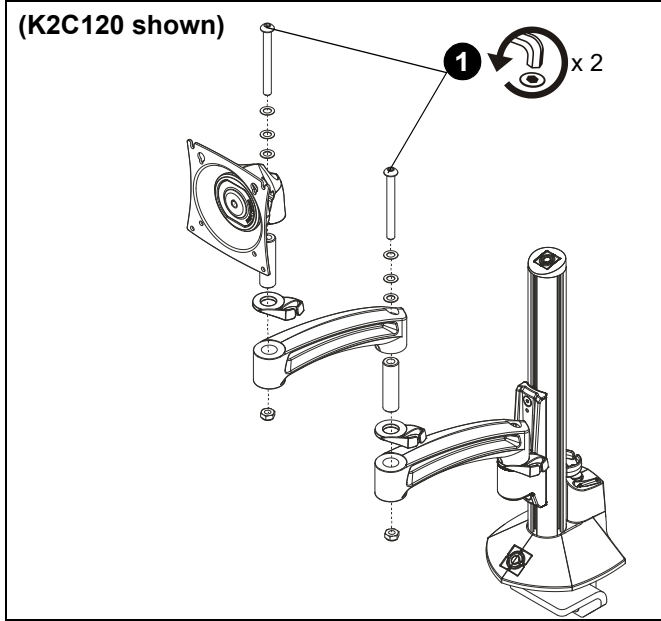


Figure 1

3. Use hardware removed in Step 1 to secure KRA240 arm to K2 mount. (See Figure 5)

IMPORTANT ! : Make sure hardware is installed in the correct order as shown in Figure 2.

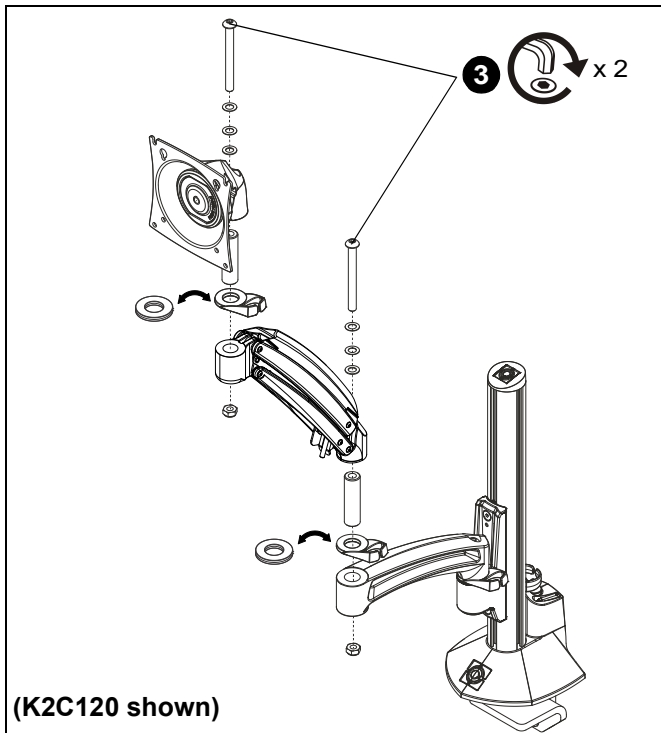


Figure 2

NOTE: Cable clip (C) or pivot pin spacer (E) may be use at the attachment point depending on user preference. (See Figure 5)

As a Extension Arm

1. Remove display head from mount by loosening button head cap screw until head is completely disengaged from the bolt. (See Figure 1)
2. Set aside all mounting hardware for reuse.

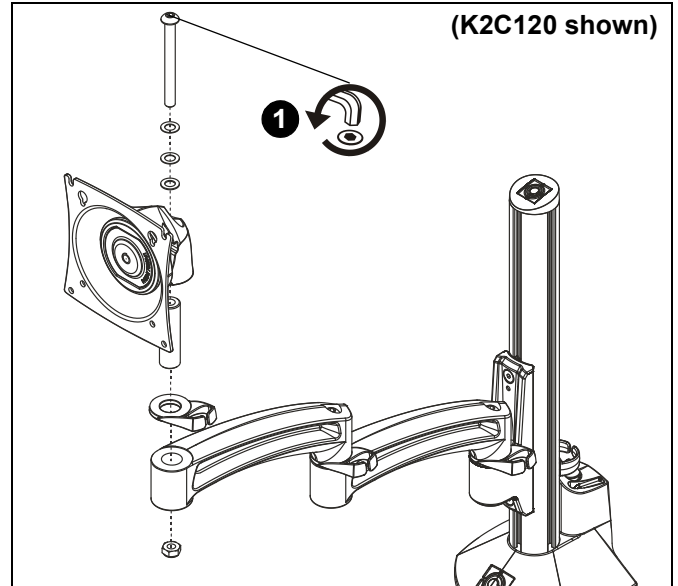


Figure 3

3. Use hardware removed in Step 1 to secure KRA240 arm to K2 mount. (See Figure 4)

4. Use 5/16-18 x 3 1/8" button head cap screw (D), two thin steel washers (H), 1/2" spacer (G), pivot pin (B), pivot pin spacer (E) or cable clip (C) and 5/16-18" hex nut (F). See Figure 4)

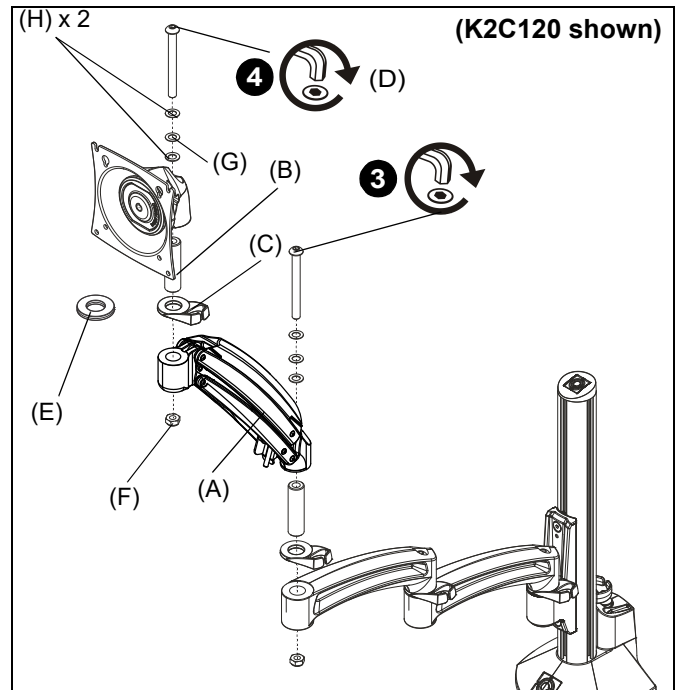


Figure 4

Display Installation

1. Complete installation to Kontour mount following Kontour mount installation instructions.



WARNING: Exceeding the weight capacity can result in serious personal injury or damage to equipment! It is the installer's responsibility to make sure the combined weight of all components attached to the K2 Series Monitor Arm with the KRA240 accessory up to (and including) the display does not exceed the weight limits listed in the table. See graphic on Page 3 for a quick reference of all K2 models. The two columns indicate whether the KRA240 is being used with the mount as a replacement arm or as an extension arm. Use with products heavier than the maximum weight indicated may result in collapse of the mount and its accessories causing possible injury.

MODEL	Max Weight Allowed for EACH Display - with KRA240 as a replacement arm	Max Weight Allowed for EACH Display - with KRA240 as an extension arm
K2W220	25 lbs (11.34 kg)	10 lbs (4.5 kg)
K2W21H	9 lbs (4.08 kg)	incompatible
K2W22H	9 lbs (4.08 kg)	incompatible

MODEL	Max Weight Allowed for EACH Display - with KRA240 as a replacement arm	Max Weight Allowed for EACH Display - with KRA240 as an extension arm
K2C110	25 lbs (11.34 kg)	25 lbs (11.34 kg)
K2C120	25 lbs (11.34 kg)	10 lbs (4.5 kg)
K2C220	25 lbs (11.34 kg)	10 lbs (4.5 kg)
K2C120SXF1	25 lbs (11.34 kg)	10 lbs (4.5 kg)
K2C220SXF1	25 lbs (11.34 kg)	10 lbs (4.5 kg)
K2C22H	9 lbs (4.08 kg)	incompatible
K2C22HSXF1	9 lbs (4.08 kg)	incompatible
K2P110	25 lbs (11.34 kg)	25 lbs (11.34 kg)
K2P120	25 lbs (11.34 kg)	10 lbs (4.5 kg)
K2P220	25 lbs (11.34 kg)	10 lbs (4.5 kg)
K2P22H	9 lbs (4.08 kg)	incompatible
K2W110	25 lbs (11.34 kg)	25 lbs (11.34 kg)
K2W120	25 lbs (11.34 kg)	10 lbs (4.5 kg)



Our Mounts. **Your Vision.**

Chief, a products division of
Milestone AV Technologies

8800-003105 Rev00
©2018 Milestone AV Technologies
www.milestone.com
11/18

USA/International	A 6436 City West Parkway, Eden Prairie, MN 55344 P 800.582.6480 / 952.225.6000 F 877.894.6918 / 952.894.6918
Europe	A Franklinstraat 14, 6003 DK Weert, Netherlands P +31 (0) 495 580 852 F +31 (0) 495 580 845
Asia Pacific	A Office No. 918 on 9/F, Shatin Galleria 18-24 Shan Mei Street Fotan, Shatin, Hong Kong P 852 2145 4099 F 852 2145 4477

