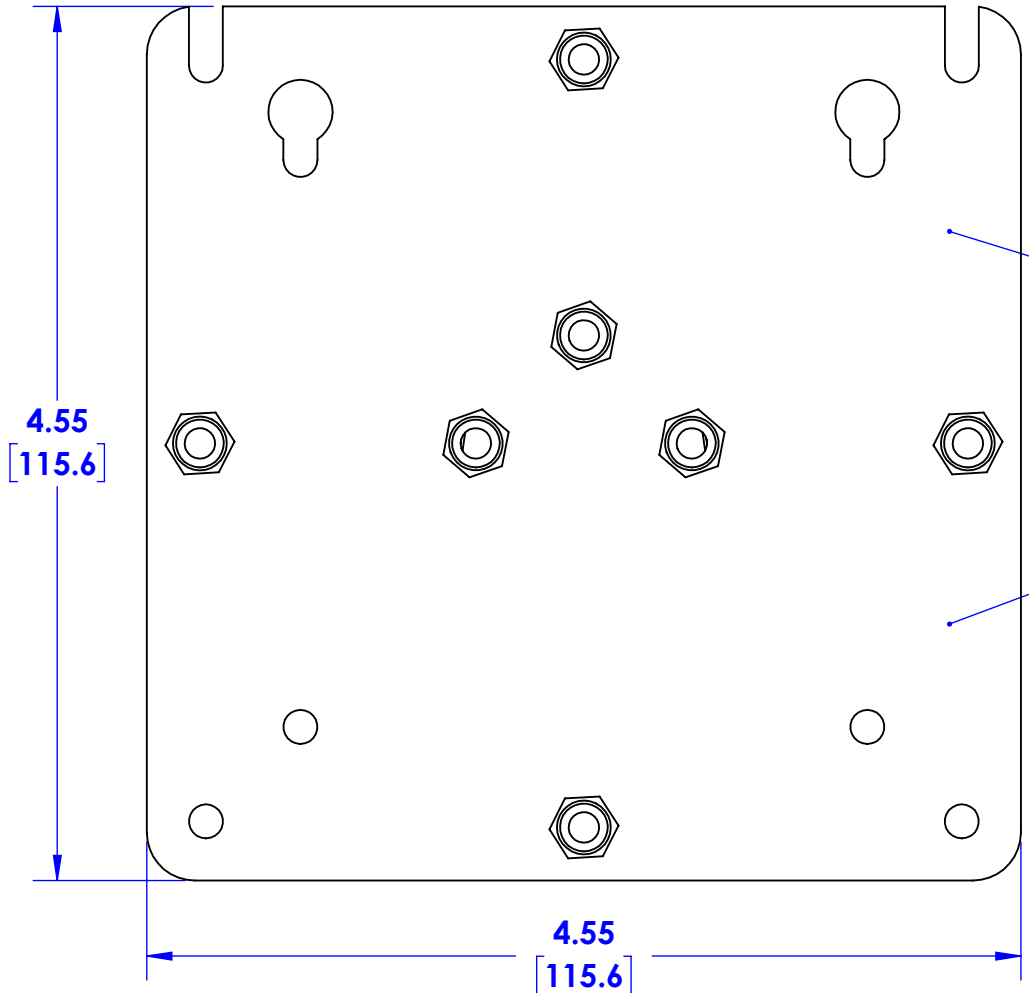
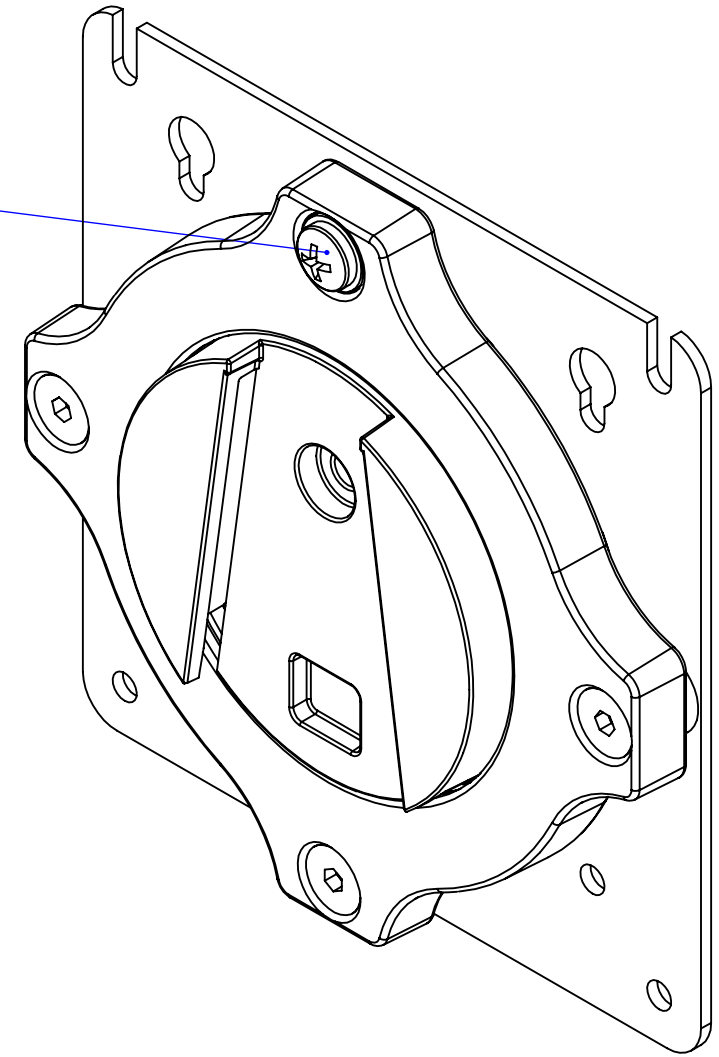


INTERFACE ROTATION
TENSION SCREW



MOUNTING PATTERN
COMPATIBILITY
100X100
75X75

INTERFACE
ROTATION
RANGE
 $\pm 90^\circ$

THE INFORMATION AND DESIGNS CONTAINED IN THIS DRAWING ARE CONFIDENTIAL AND THE PROPRIETARY PROPERTY OF MILESTONE AV TECHNOLOGIES NEITHER THIS DESIGN NOR ANY INFORMATION CONTAINED IN THIS DRAWING MAY BE REPRODUCED OR DISCLOSED TO OTHERS WITHOUT THE EXPRESS WRITTEN CONSENT OF MILESTONE AV TECHNOLOGIES.

CAD GENERATED DRAWING, DO NOT MANUALLY UPDATE.			6436 CITY WEST PKWY EDEN PRAIRIE MN, 55344 PHONE: 866-977-3901 FAX: 877-894-6918
DRAWN BY	CH	10/17/2018	
ENG APPROVAL			DESCRIPTION
MFG APPROVAL			K1 MONITOR INTERFACE
QA APPROVAL			MODEL NO.
SHEET 1 OF 1			KRA243
SCALE	1:1	SIZE	DWG. NO.
		B	TECH-000957
			REV.
			00