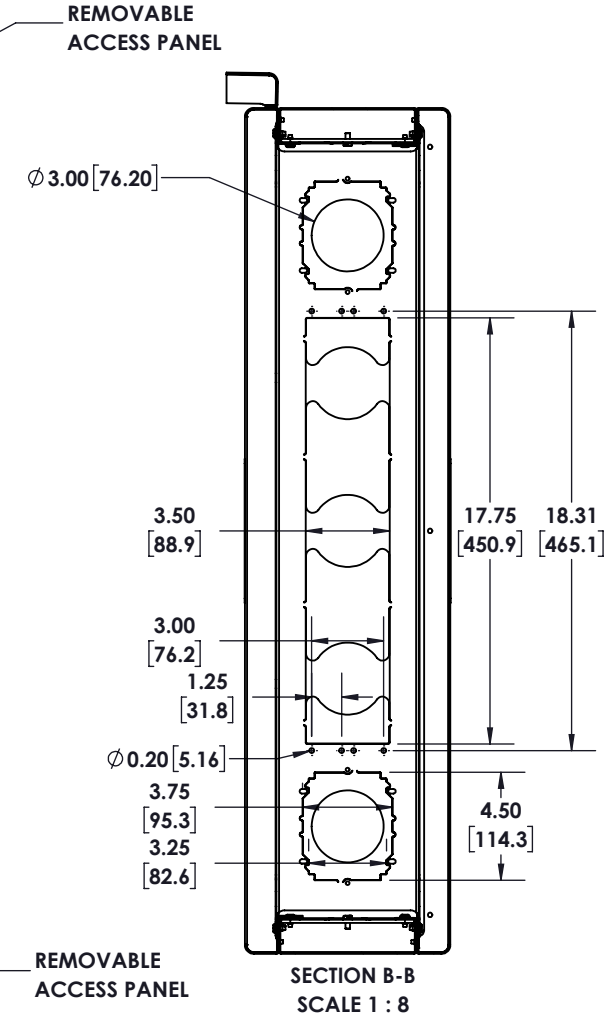
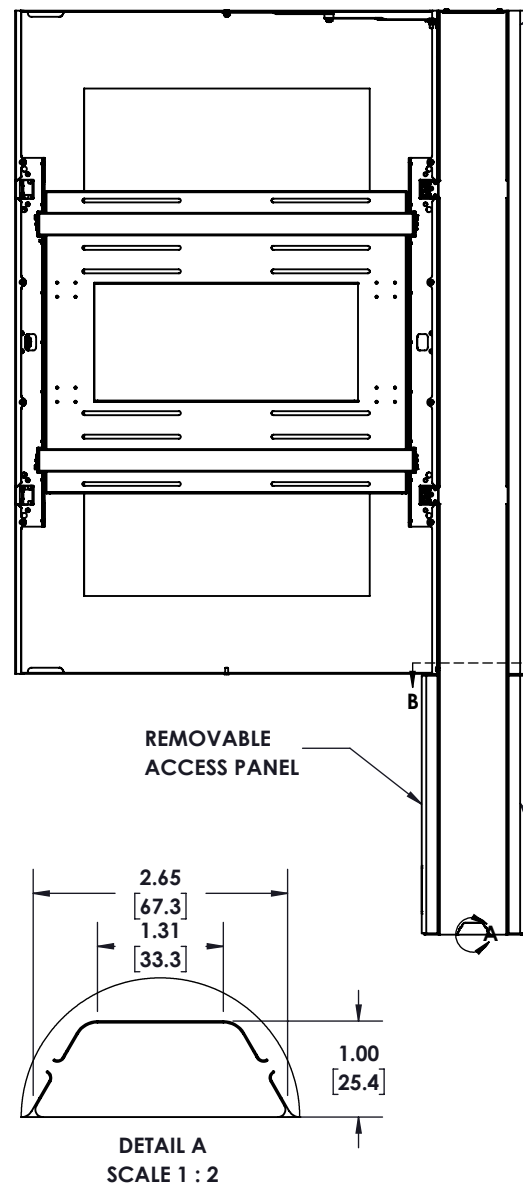
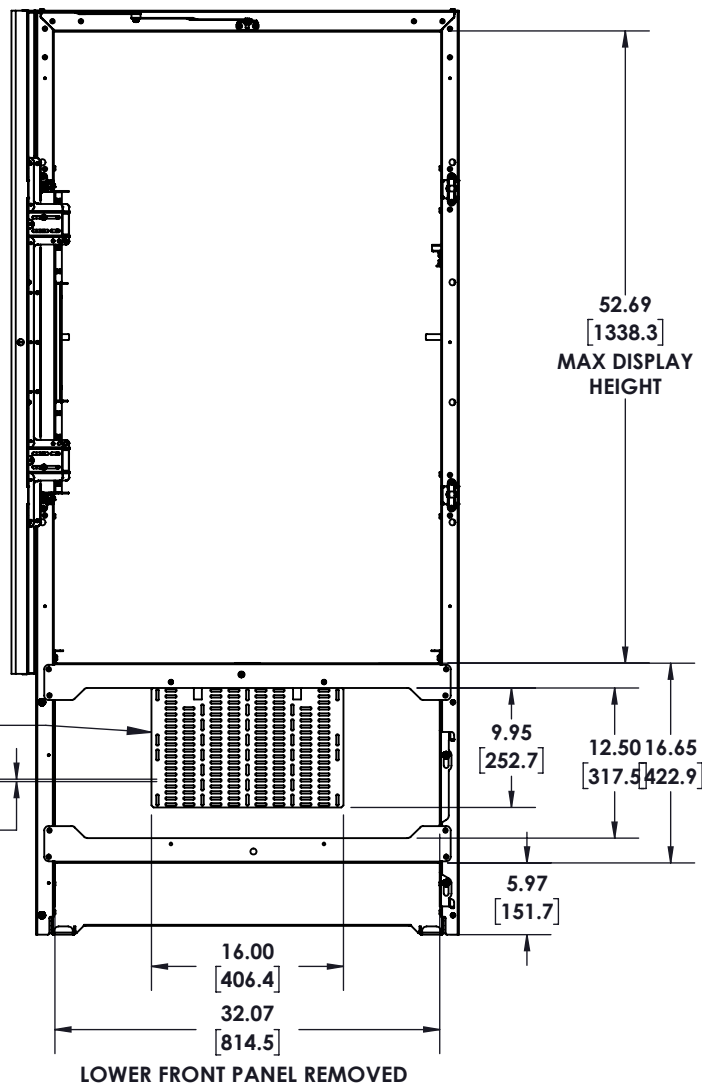
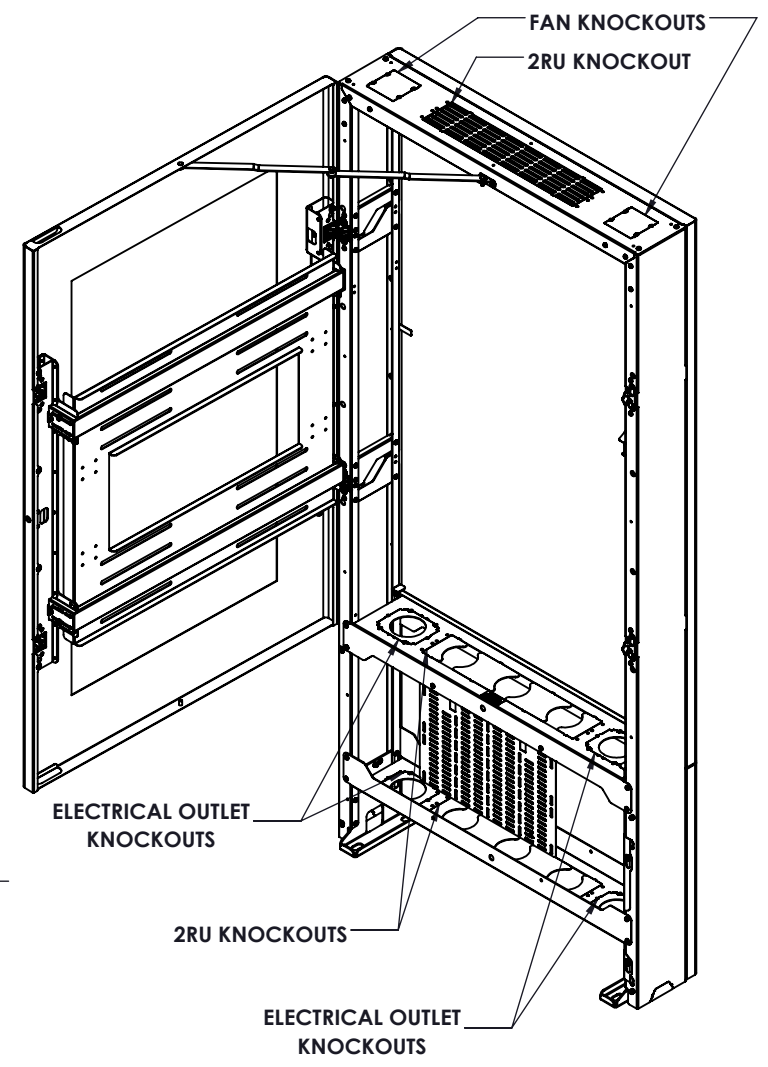
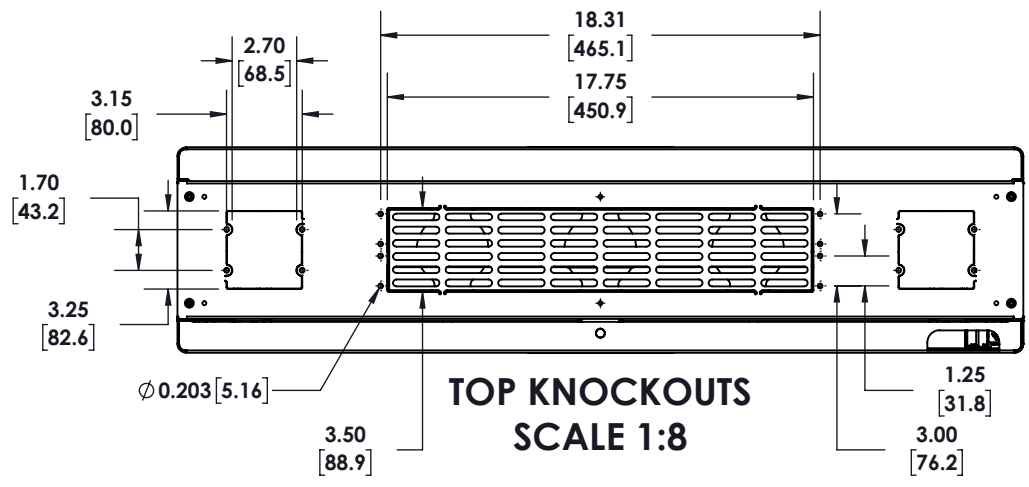
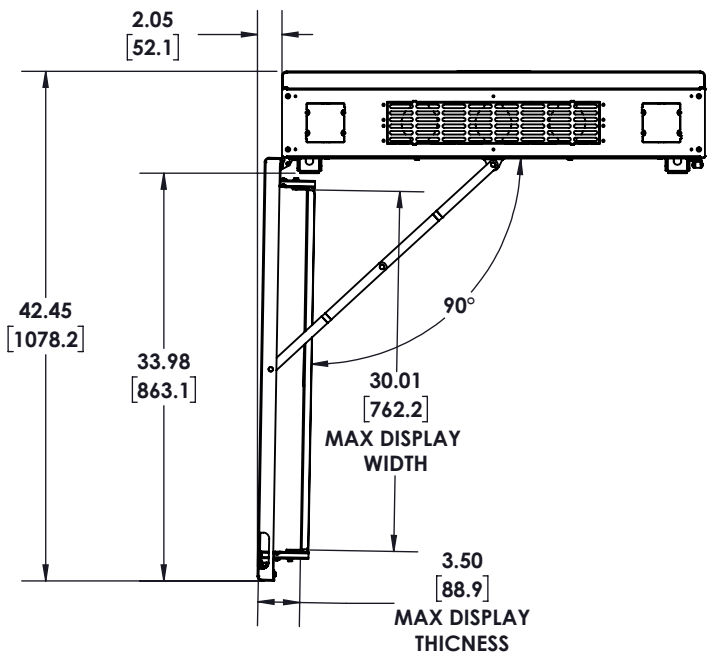


THE INFORMATION AND DESIGNS CONTAINED IN THIS DRAWING ARE CONFIDENTIAL AND THE PROPRIETARY PROPERTY OF MILESTONE AV TECHNOLOGIES NEITHER THIS DESIGN NOR ANY INFORMATION CONTAINED IN THIS DRAWING MAY BE REPRODUCED OR DISCLOSED TO OTHERS WITHOUT THE EXPRESS WRITTEN CONSENT OF MILESTONE AV TECHNOLOGIES.

CAD GENERATED DRAWING, DO NOT MANUALLY UPDATE.				6436 CITY WEST PKWY EDEN PRAIRIE MN, 55344 PHONE: 866-977-3901 FAX: 877-894-6918	
DRAWN BY	MJS	4/5/2019		DESCRIPTION LF49UxP, 49" PORTRAIT FLOOR KIOSK	
ENG APPROVAL			MODEL NO. LF49UxP		
MFG APPROVAL			REV. 00		
QA APPROVAL			SCALE 1:14		
SHEET 1 OF 2		SIZE B	DWG. NO. TECH-000986		



THE INFORMATION AND DESIGNS CONTAINED IN THIS DRAWING ARE CONFIDENTIAL AND THE PROPRIETARY PROPERTY OF MILESTONE AV TECHNOLOGIES NEITHER THIS DESIGN NOR ANY INFORMATION CONTAINED IN THIS DRAWING MAY BE REPRODUCED OR DISCLOSED TO OTHERS WITHOUT THE EXPRESS WRITTEN CONSENT OF MILESTONE AV TECHNOLOGIES.

CAD GENERATED DRAWING, DO NOT MANUALLY UPDATE.		CHIEF 6436 CITY WEST PKWY EDEN PRAIRIE MN, 55344 PHONE: 866-977-3901 FAX: 877-894-6918
DRAWN BY	MJS 4/5/2019	
ENG APPROVAL		DESCRIPTION LF49UxP, 49" PORTRAIT FLOOR KIOSK
MFG APPROVAL		MODEL NO. LF49UxP
QA APPROVAL		SCALE 1:16 SIZE B DWG. NO. TECH-000986 REV. 00
SHEET 2 OF 2		