

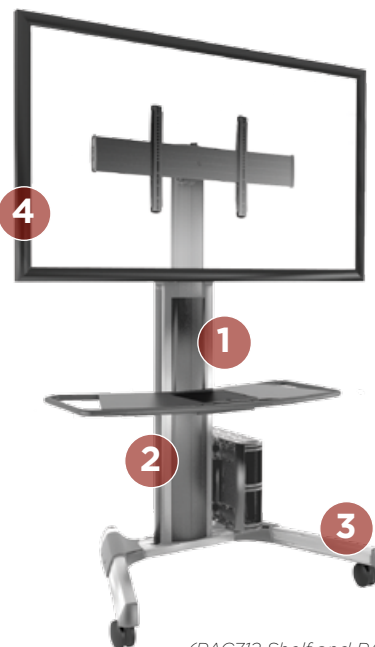


FEATURES

- 1 SINGLE PERSON HEIGHT ADJUSTMENT**
Simply turn a knob to smoothly raise and lower the screen between 50-70" (127-177 mm).
- 2 CABLE MANAGEMENT**
Flexible cable covers allow access to lay in cables at any point along the column.
- 3 SMOOTH POSITIONING**
Large rolling casters allow for smooth positioning. Locking casters included to help secure installation.
- 4 SLEEK AESTHETICS**
Blends in well in corporate and classroom environments.



205 Westwood Ave, Long Branch, NJ 07740
Phone: 866-94 BOARDS (26273) / (732)-222-1511
Fax: (732)-222-7088 | E-mail: sales@touchboards.com



(PAC712 Shelf and PAC256 CPU Holder not included.)

SPECIFICATIONS

Base Dimensions (WxD)	47.8 x 32" (121.2 x 81.3 cm)
Max Height (Center of Screen)	70.03" (177.9 cm)
Tilt	±5°
Weight Capacity	200 lbs (90.7 kg)
Colors	Black, Silver

WHAT YOU NEED TO KNOW

APPLICATION RECOMMENDATIONS

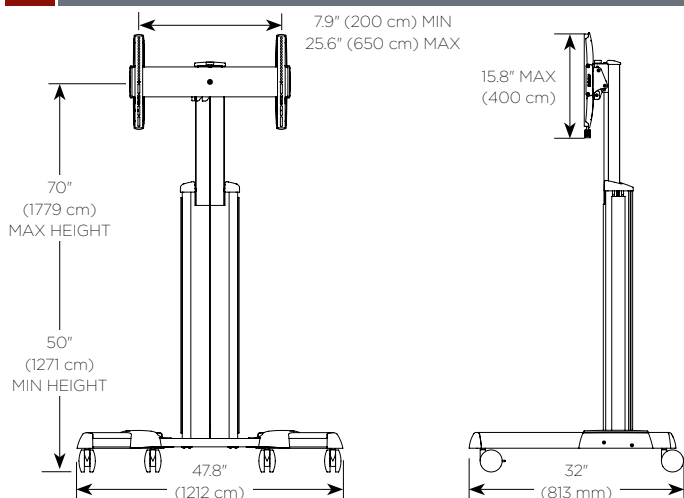
Ideal for video conferencing, digital signage and education environments.

OTHER PRODUCT OPTION



LFAU
Micro-Adjustable Floor Stand

TECHNICAL DRAWINGS



RECOMMENDED ACCESSORIES



PAC712 Large Accessory Shelf



PAC256 Large CPU Holder

For a complete list of cart & stand accessories see pages 93 - 94.