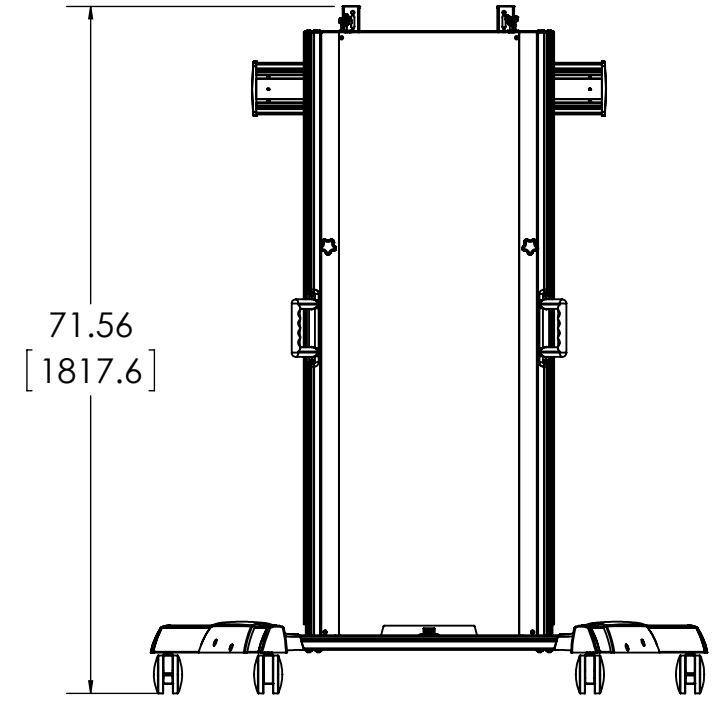
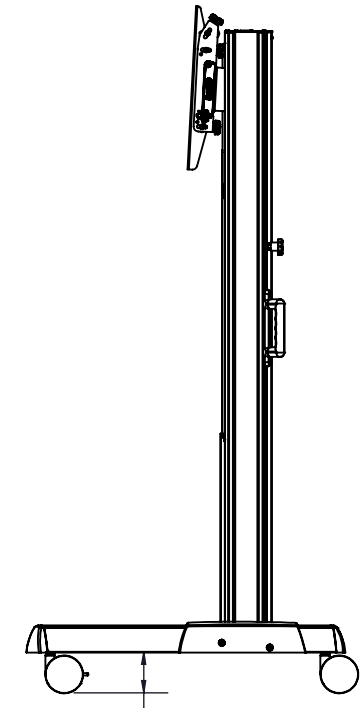


- APPROXIMATE TRAVEL RANGES:
- 50.3 - 66"
 - 47.3 - 63"(shown)
 - 44.3 - 60"
 - 41.3 - 57"
 - 38.3 - 54"
 - 35.3 - 51"



205 Westwood Ave, Long Branch, NJ 07740
Phone: 866-94 BOARDS (26273) / (732)-222-1511
Fax: (732)-222-7088 | E-mail: sales@touchboards.com

THE INFORMATION AND DESIGNS CONTAINED IN THIS DRAWING ARE CONFIDENTIAL AND THE PROPRIETARY PROPERTY OF MILESTONE AV TECHNOLOGIES NEITHER THIS DESIGN NOR ANY INFORMATION CONTAINED IN THIS DRAWING MAY BE REPRODUCED OR DISCLOSED TO OTHERS WITHOUT THE EXPRESS WRITTEN CONSENT OF MILESTONE AV TECHNOLOGIES.

CAD GENERATED DRAWING, DO NOT MANUALLY UPDATE.			CHIEF	6436 CITY WEST PKWY EDEN PRAIRIE MN, 55344 PHONE: 866-977-3901 FAX: 877-894-6918	
DRAWN BY	PJO	3/28/2016		DESCRIPTION DYNAMIC HEIGHT ADJ. CART	
ENG APPROVAL			MODEL NO. MPD1U / LPD1U		
MFG APPROVAL			REV. 01		
QA APPROVAL			SCALE 1:20		
SHEET 1 OF 1		SIZE B	DWG. NO. TECH-000772		