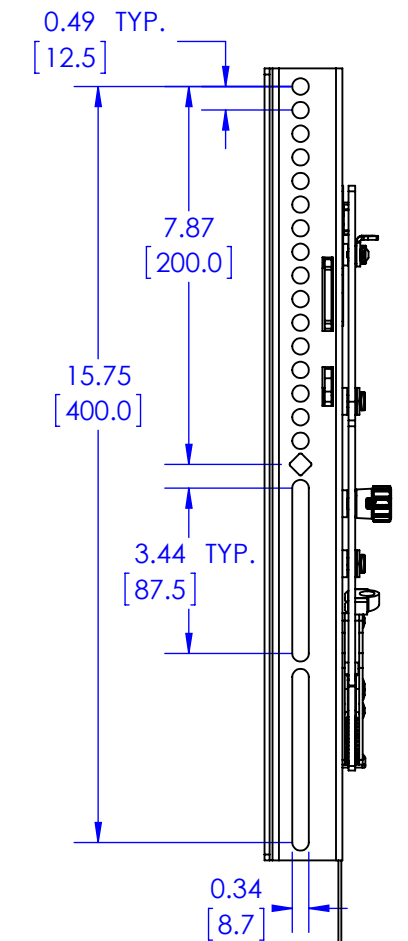
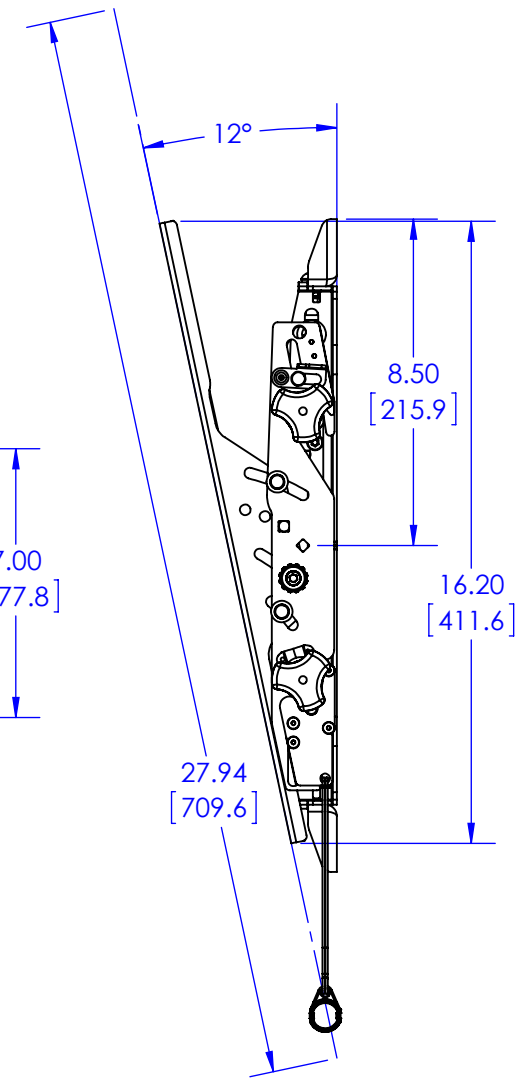
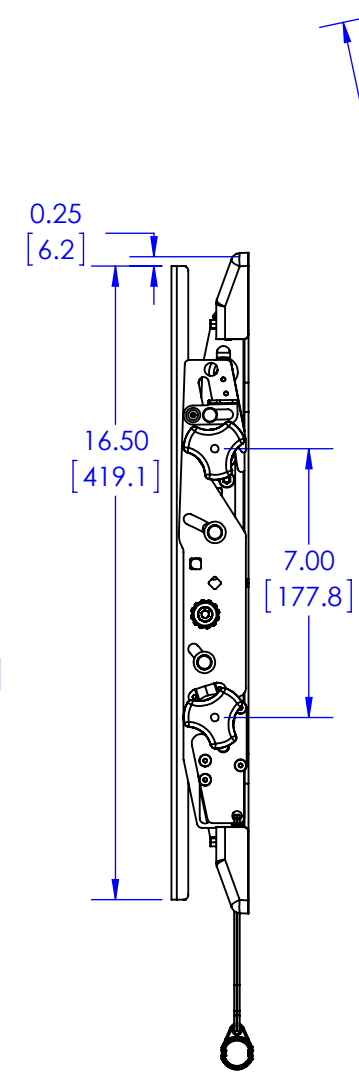
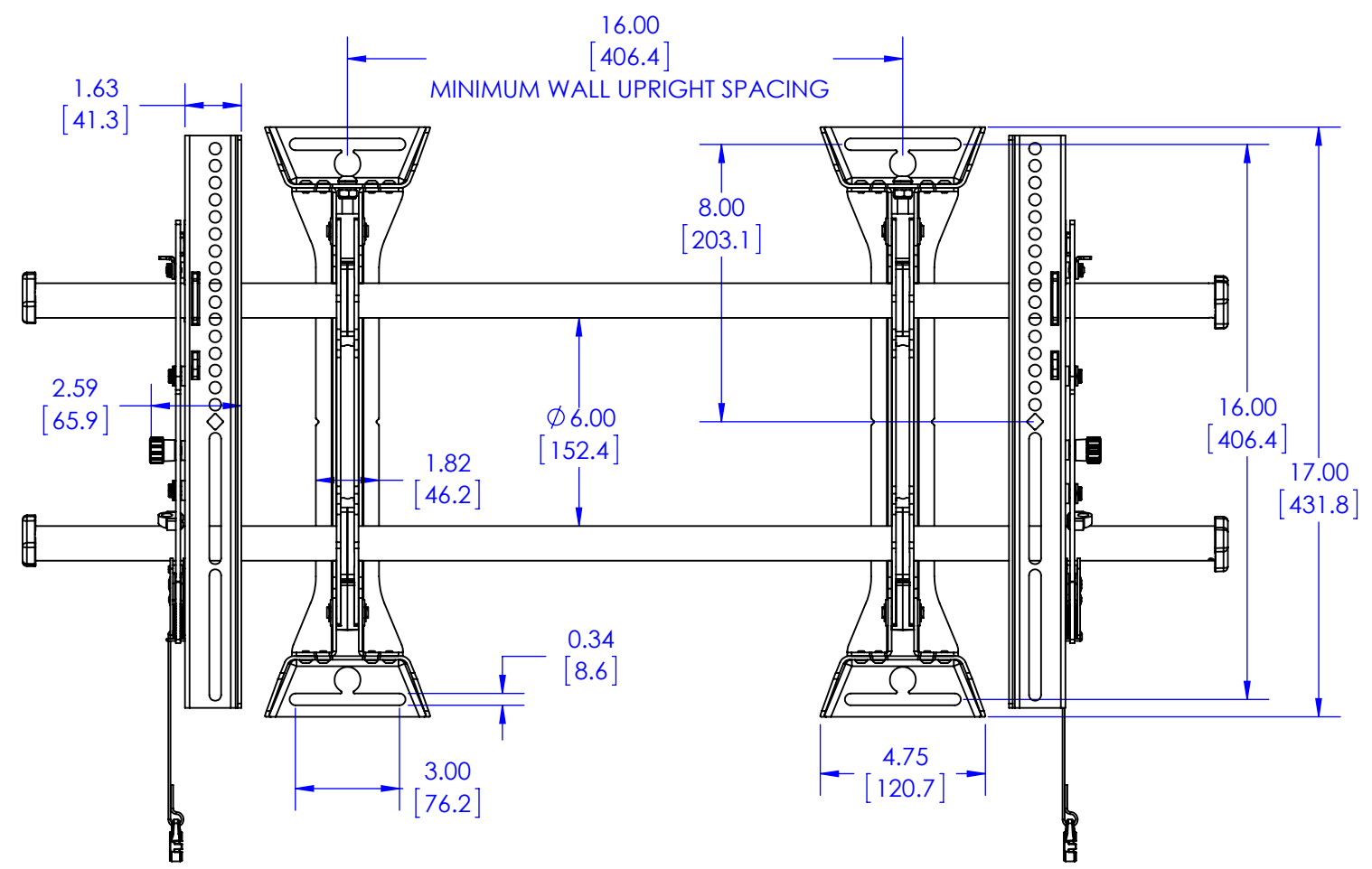
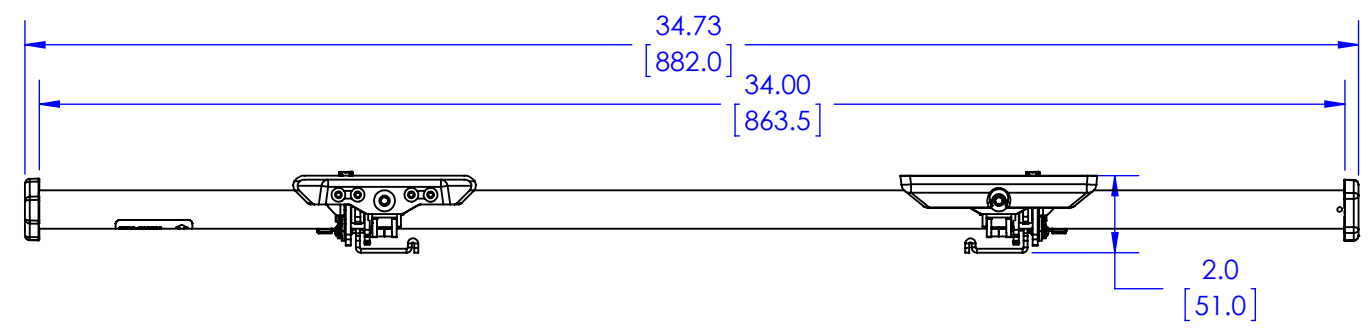




205 Westwood Ave, Long Branch, NJ 07740
 Phone: 866-94 BOARDS (26273) / (732)-222-1511
 Fax: (732)-222-7088 | E-mail: sales@touchboards.com



RAILS CAN BE SLID LEFT OR RIGHT FOR OFFSET

1. MAXIMUM MOUNTING PATTERN IS 31.25" (793 mm) WITHOUT REVERSING UPRIGHTS
2. MAXIMUM MOUNTING PATTERN IS 34.6" (878 mm) WITH REVERSING UPRIGHTS
3. FOR RECESSED APPLICATIONS, MINIMUM VERTICAL LIFT FOR HOOK ENGAGEMENT IS .75" (19 mm)

THE INFORMATION AND DESIGNS CONTAINED IN THIS DRAWING ARE CONFIDENTIAL AND THE PROPRIETARY PROPERTY OF MILESTONE AV TECHNOLOGIES NEITHER THIS DESIGN NOR ANY INFORMATION CONTAINED IN THIS DRAWING MAY BE REPRODUCED OR DISCLOSED TO OTHERS WITHOUT THE EXPRESS WRITTEN CONSENT OF MILESTONE AV TECHNOLOGIES.

CAD GENERATED DRAWING, DO NOT MANUALLY UPDATE.			<p>6436 CITY WEST PKWY EDEN PRAIRIE MN, 55344 PHONE: 866-977-3901 FAX: 877-894-6918</p>
DRAWN BY	JAB	4/15/2014	
ENG APPROVAL			DESCRIPTION
MFG APPROVAL			LTM1U CUSTOMER TECHNICAL DRAWING
QA APPROVAL			MODEL NO.
			LTM1U
SHEET 1 OF 1	SCALE	SIZE	DWG. NO.
	1:8	B	TECH-000607
			REV.
			01