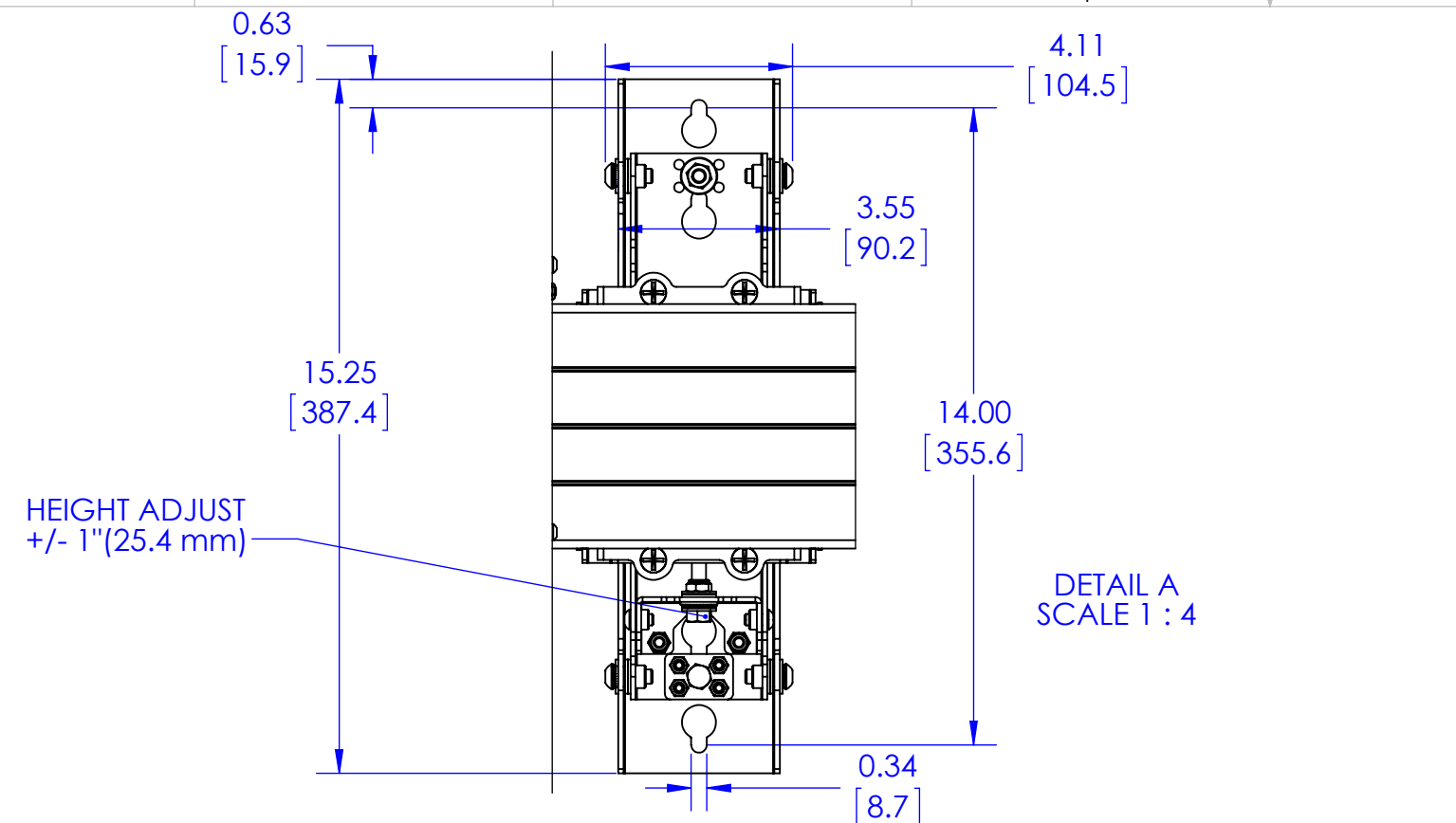
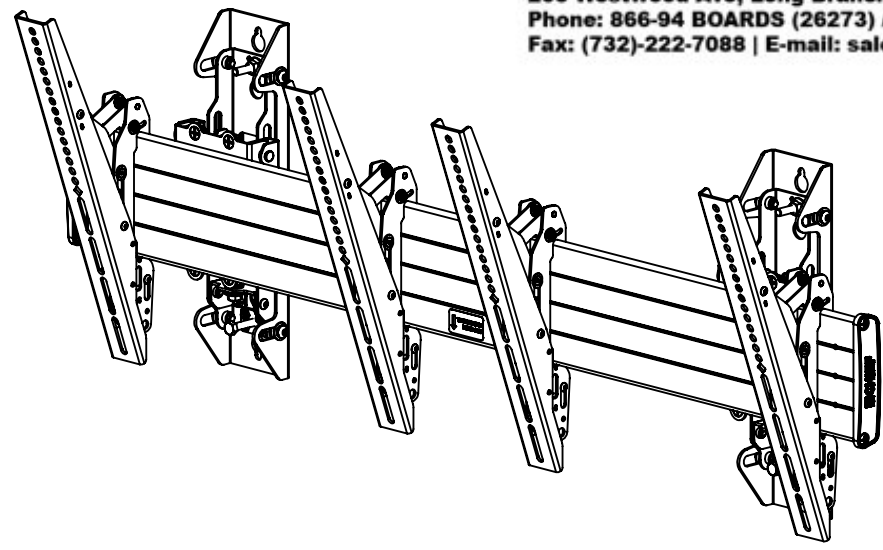


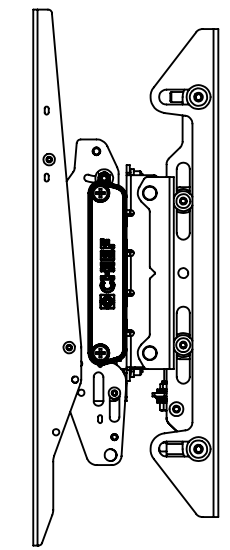
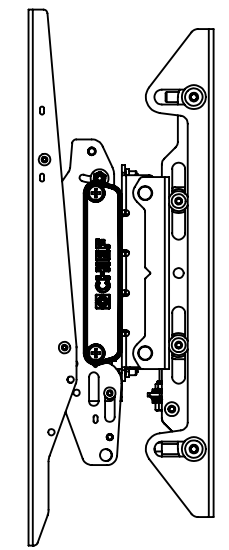
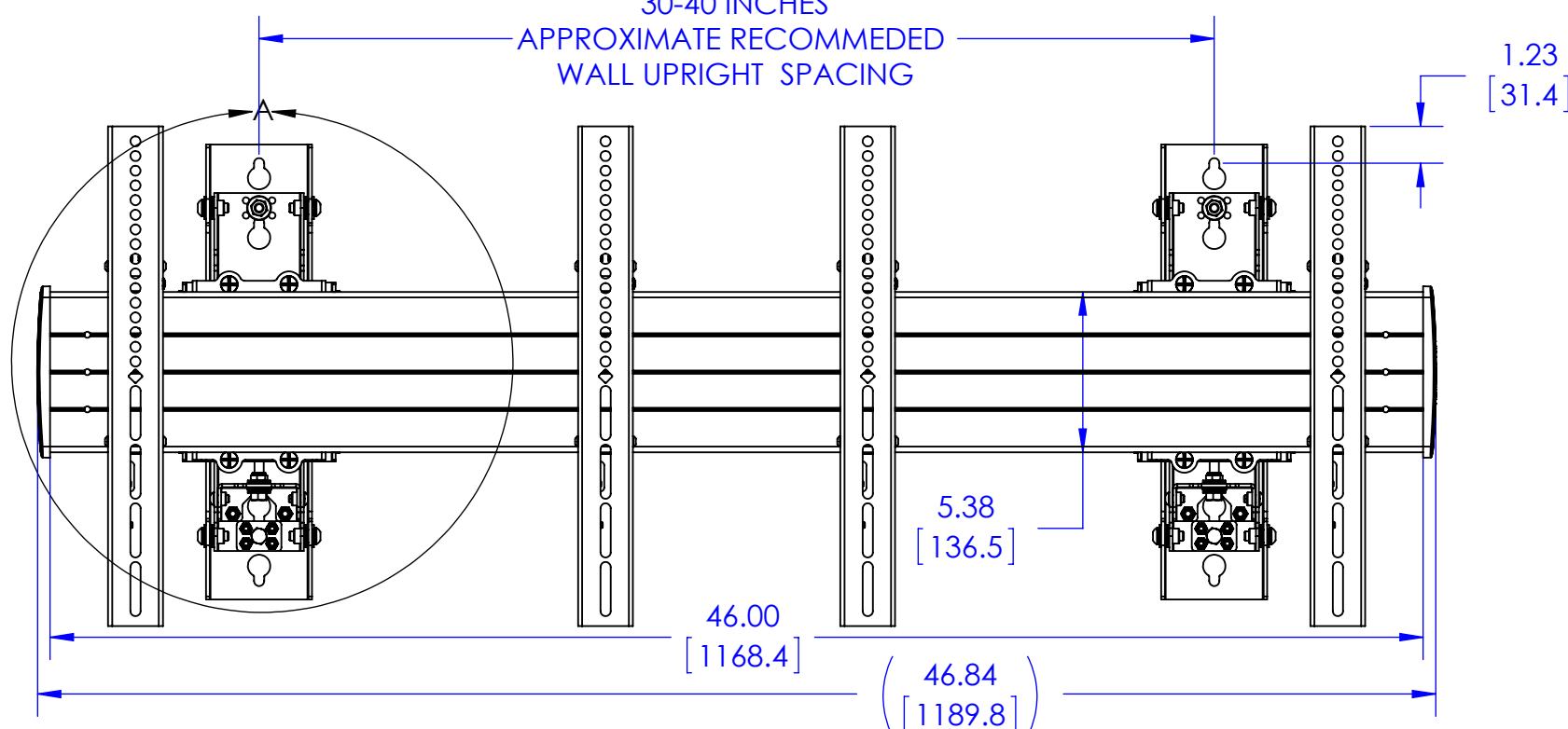


Touchboards
 205 Westwood Ave, Long Branch, NJ 07740
 Phone: 866-94 BOARDS (26273) / (732)-222-1511
 Fax: (732)-222-7088 | E-mail: sales@touchboards.com



DETAIL A
SCALE 1 : 4

30-40 INCHES
APPROXIMATE RECOMMENDED
WALL UPRIGHT SPACING



MAX SCREEN HEIGHT FOR VARIOUS EXTRUSION LENGTHS

2 WIDE PORTRAIT					
EXTRUSION LENGTH (IN.)	MINIMUM SCREEN HEIGHT TO HIDE BAR (IN.)	MOUNTING PATTERN HEIGHT (mm)	DISTANCE BETWEEN SCREENS (IN.)	MAX SCREEN HEIGHT (IN.)	TOTAL SCREEN WIDTH (IN.)
46	22.5	600	0.0625	20.25	40.63
		400		28.13	56.25
		300		32.06	64.13
		200		36.00	72.00

THE INFORMATION AND DESIGNS CONTAINED IN THIS DRAWING ARE CONFIDENTIAL AND THE PROPRIETARY PROPERTY OF MILESTONE AV TECHNOLOGIES NEITHER THIS DESIGN NOR ANY INFORMATION CONTAINED IN THIS DRAWING MAY BE REPRODUCED OR DISCLOSED TO OTHERS WITHOUT THE EXPRESS WRITTEN CONSENT OF MILESTONE AV TECHNOLOGIES.

CAD GENERATED DRAWING, DO NOT MANUALLY UPDATE.

DRAWN BY	JAB	5/20/2015
ENG APPROVAL		
MFG APPROVAL		
QA APPROVAL		

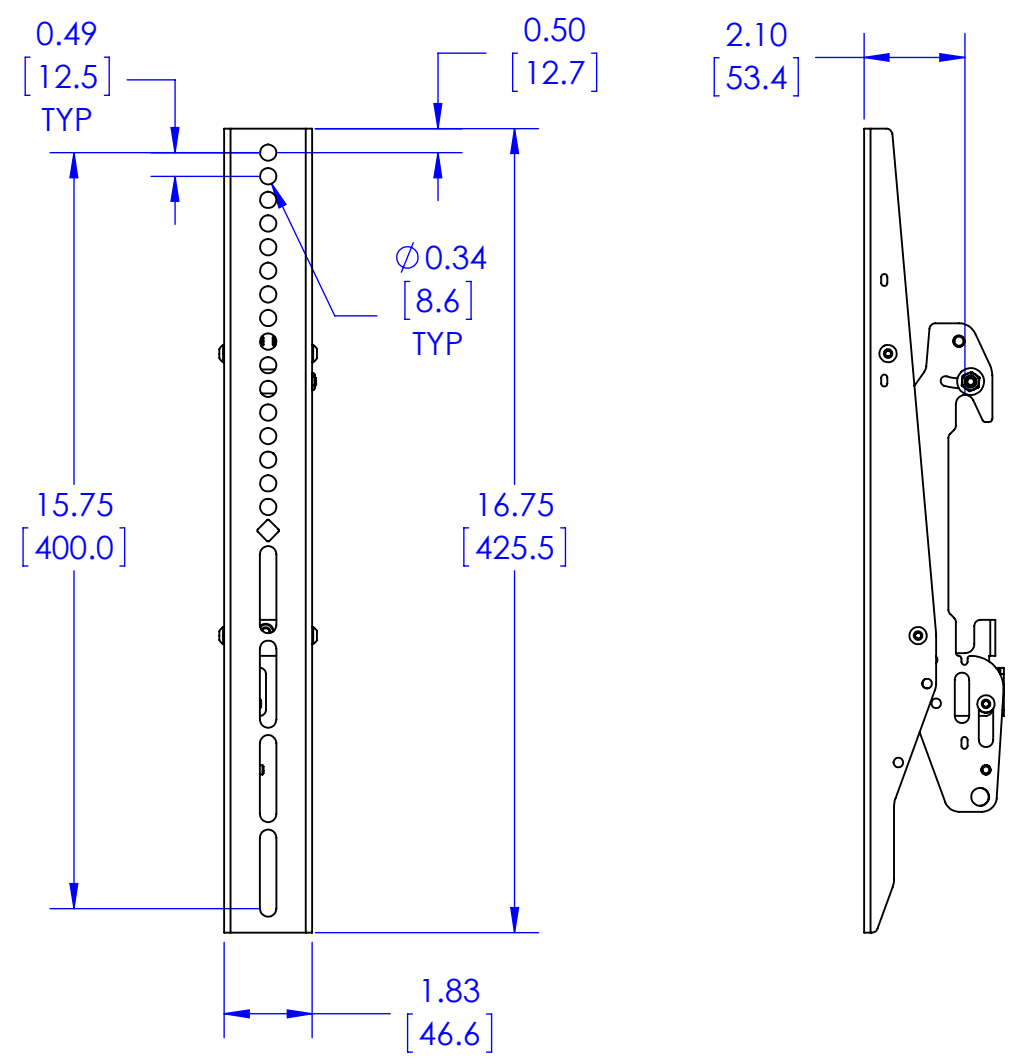
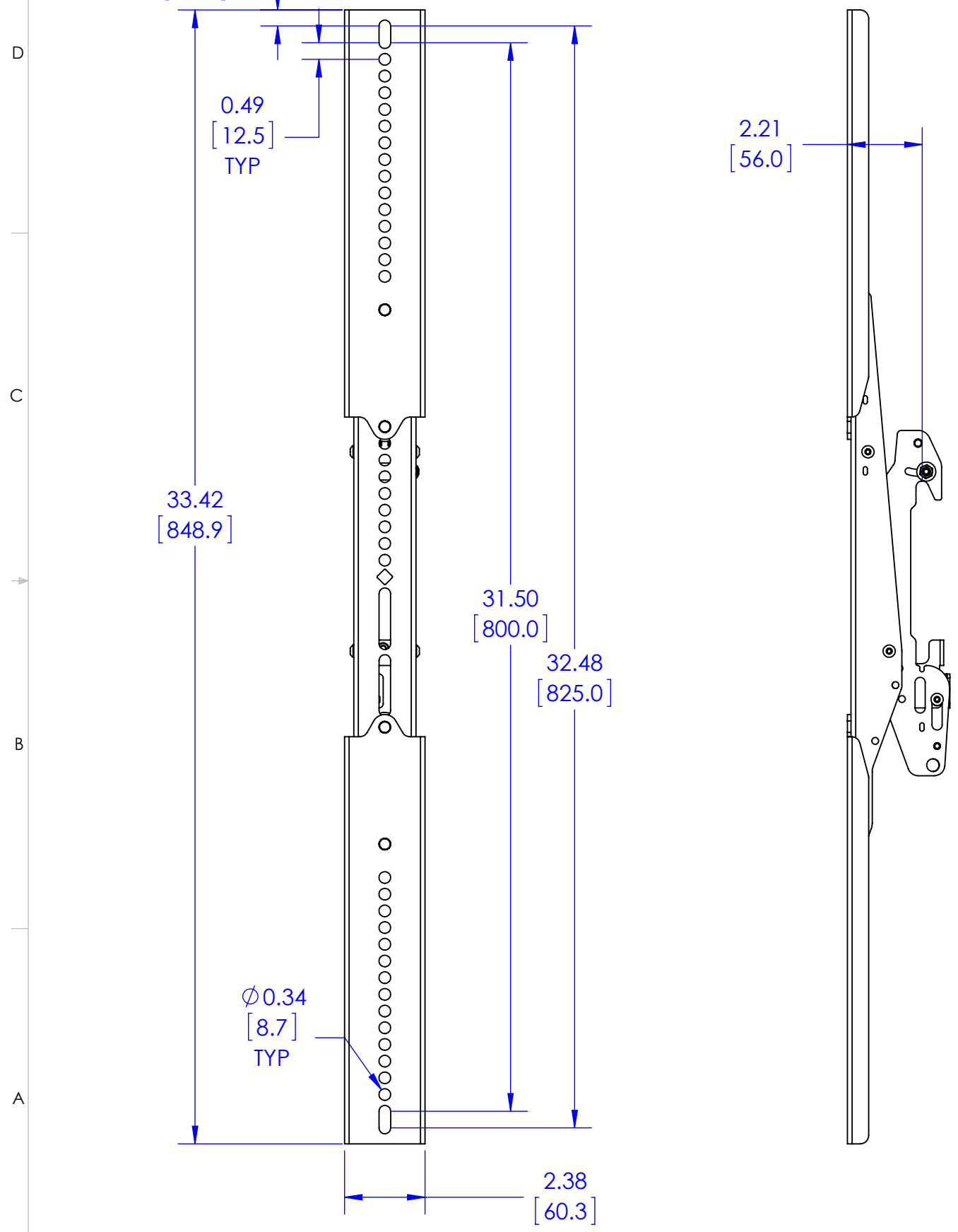
CHIEF 6436 CITY WEST PKWY
EDEN PRAIRIE MN, 55344
PHONE: 866-977-3901
FAX: 877-894-6918

DESCRIPTION
MENU-BOARD, WALL MOUNTED, 2 WIDE, PORTRAIT

MODEL NO.
LWM2X1UP

SHEET 1 OF 3 SCALE 1:8 SIZE B DWG. NO. TECH-000713 REV. 00

SHOWN WITH FHB5078
800 mm ADAPTER
INCLUDED WITH LWM2X1UP

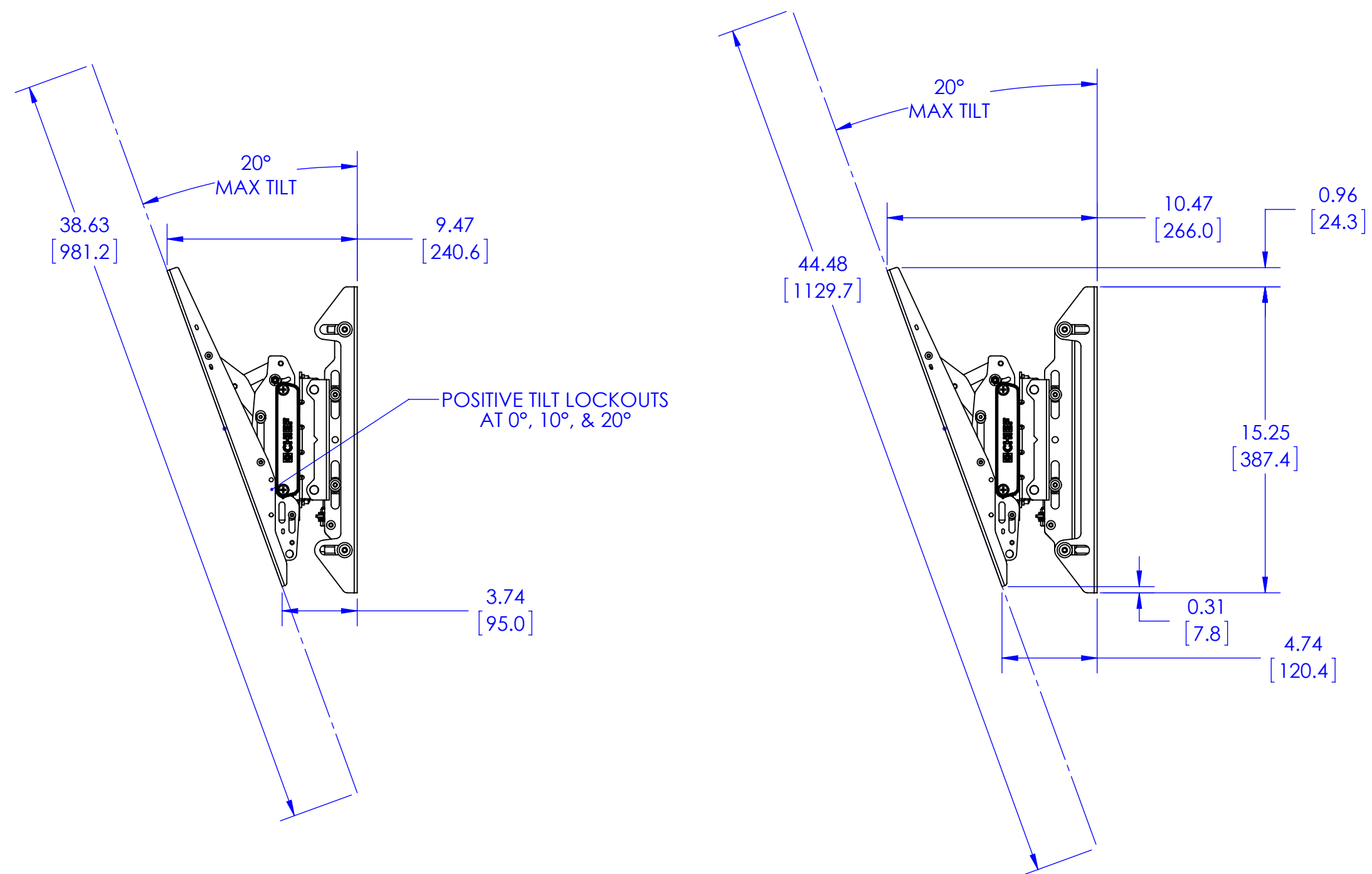


THE INFORMATION AND DESIGNS CONTAINED IN THIS DRAWING ARE CONFIDENTIAL AND THE PROPRIETARY PROPERTY OF MILESTONE AV TECHNOLOGIES NEITHER THIS DESIGN NOR ANY INFORMATION CONTAINED IN THIS DRAWING MAY BE REPRODUCED OR DISCLOSED TO OTHERS WITHOUT THE EXPRESS WRITTEN CONSENT OF MILESTONE AV TECHNOLOGIES.

CAD GENERATED DRAWING, DO NOT MANUALLY UPDATE.			6436 CITY WEST PKWY EDEN PRAIRIE MN, 55344 PHONE: 866-977-3901 FAX: 877-894-6918
DRAWN BY	JAB	5/20/2015	
ENG APPROVAL			DESCRIPTION MENU-BOARD, WALL MOUNTED, 2 WIDE, PORTRAIT
MFG APPROVAL			
QA APPROVAL			
SHEET 2 OF 3			MODEL NO. LWM2X1UP
SCALE	1:12	SIZE	DWG. NO. B TECH-000713
		REV.	00

MINIMUM DEPTH

MAXIMUM DEPTH



THE INFORMATION AND DESIGNS CONTAINED IN THIS DRAWING ARE CONFIDENTIAL AND THE PROPRIETARY PROPERTY OF MILESTONE AV TECHNOLOGIES NEITHER THIS DESIGN NOR ANY INFORMATION CONTAINED IN THIS DRAWING MAY BE REPRODUCED OR DISCLOSED TO OTHERS WITHOUT THE EXPRESS WRITTEN CONSENT OF MILESTONE AV TECHNOLOGIES.

CAD GENERATED DRAWING, DO NOT MANUALLY UPDATE.			CHIEF 6436 CITY WEST PKWY EDEN PRAIRIE MN, 55344 PHONE: 866-977-3901 FAX: 877-894-6918	
DRAWN BY	JAB	5/20/2015	DESCRIPTION MENU-BOARD, WALL MOUNTED, 2 WIDE, PORTRAIT	
ENG APPROVAL			MODEL NO. LWM2X1UP	
MFG APPROVAL			SIZE DWG. NO. B TECH-000713	
QA APPROVAL			REV.	00
SHEET 3 OF 3		SCALE 1:8		