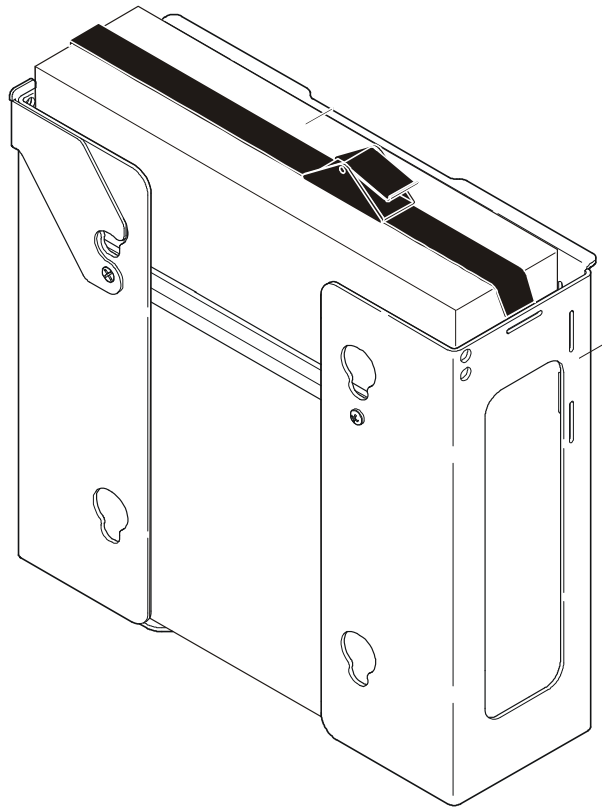


INSTALLATION INSTRUCTIONS



CPU Adapter

DISCLAIMER

Milestone AV Technologies and its affiliated corporations and subsidiaries (collectively "Milestone"), intend to make this manual accurate and complete. However, Milestone makes no claim that the information contained herein covers all details, conditions or variations, nor does it provide for every possible contingency in connection with the installation or use of this product. The information contained in this document is subject to change without notice or obligation of any kind. Milestone makes no representation of warranty, expressed or implied, regarding the information contained herein. Milestone assumes no responsibility for accuracy, completeness or sufficiency of the information contained in this document.

Chief® is a registered trademark of Milestone AV Technologies. All rights reserved.

! IMPORTANT WARNINGS AND CAUTIONS!

! WARNING: A WARNING alerts you to the possibility of serious injury or death if you do not follow the instructions.

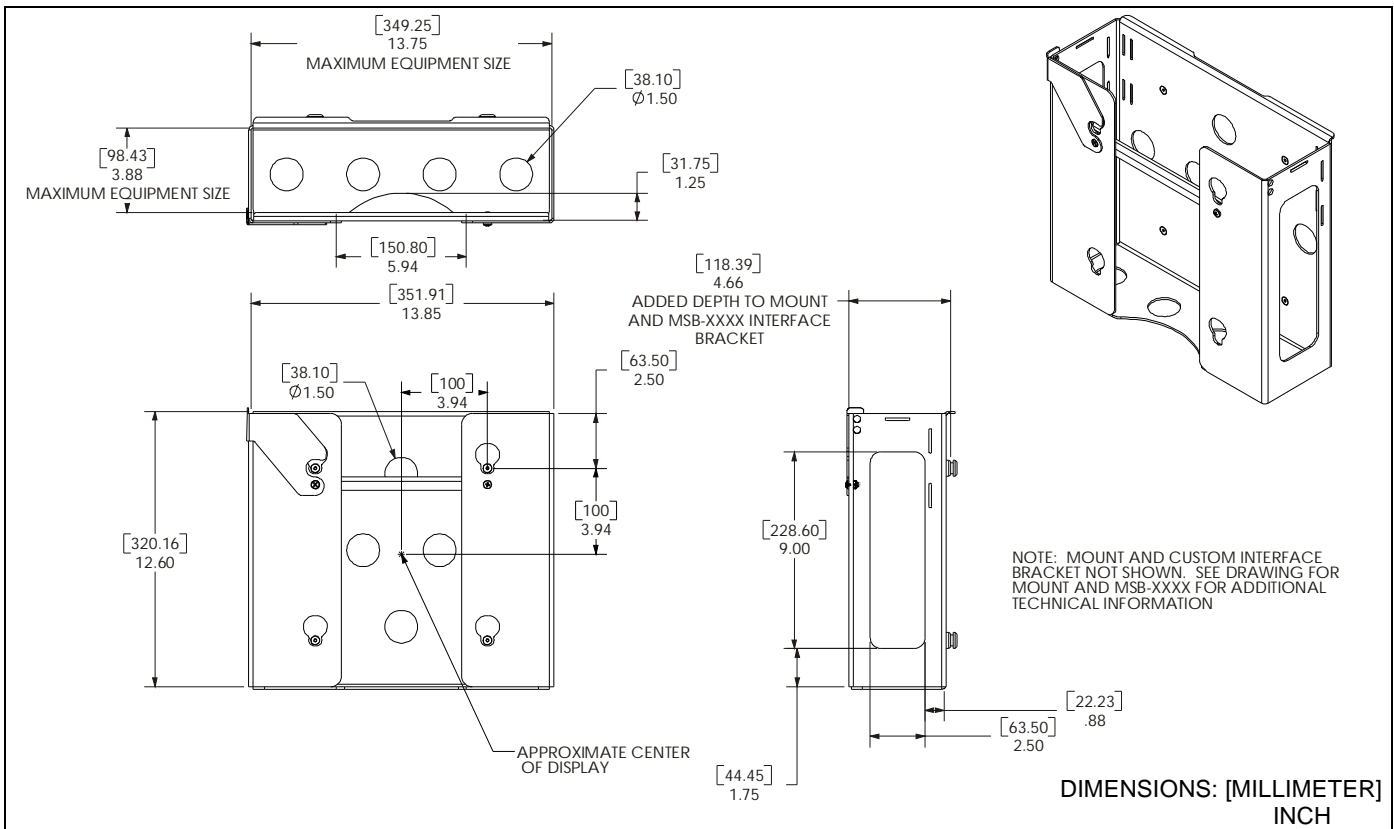
! CAUTION: A CAUTION alerts you to the possibility of damage or destruction of equipment if you do not follow the corresponding instructions.

! WARNING: Failure to read, thoroughly understand, and follow all instructions can result in serious personal injury, damage to equipment, or voiding of factory warranty! It is the installer's responsibility to make sure all components are properly assembled and installed using the instructions provided.



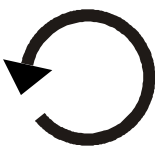

! WARNING: Failure to provide adequate structural strength for this component can result in serious personal injury or damage to equipment! It is the installer's responsibility to make sure the structure to which this component is attached can support five times the combined weight of all equipment. Reinforce the structure as required before installing the component.

! WARNING: Exceeding weight capacity can result in serious personal injury or damage to equipment! It is the installer's responsibility to make sure the combined weight of all components does not exceed the maximum allowable weight of the mount to which the MAC251 is being installed.

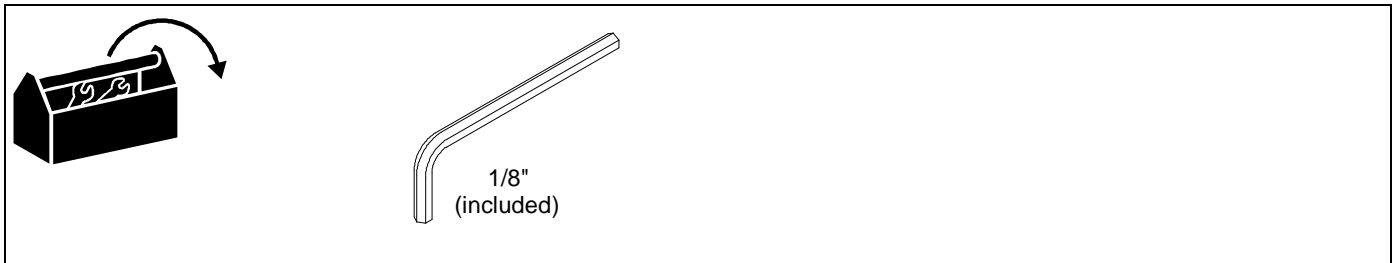
DIMENSIONS



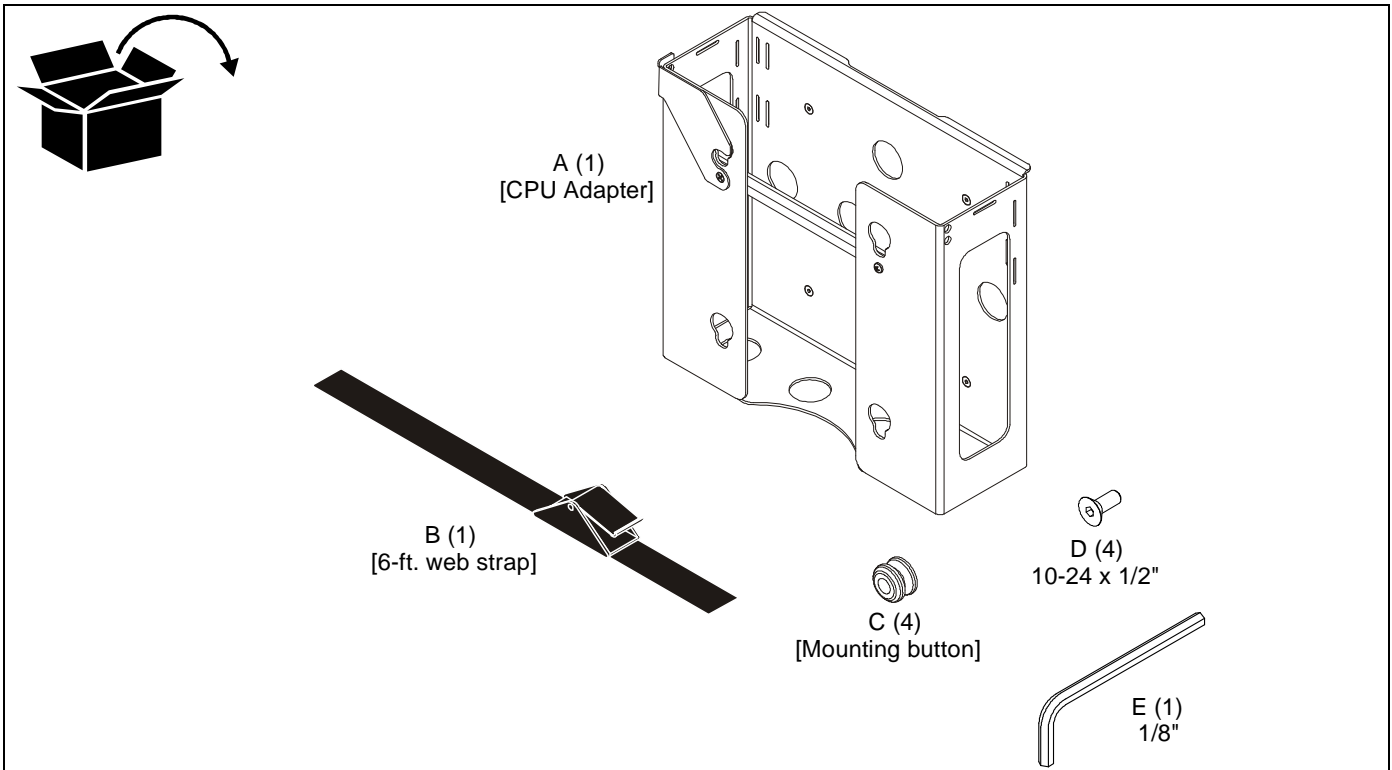
LEGEND

	Tighten Fastener		Hex-Head Wrench
	Apretar elemento de fijación		Llave de cabeza hexagonal
	Befestigungsteil festziehen		Sechskantschlüssel
	Apertar fixador		Chave de cabeça sextavada
	Serrare il fissaggio		Chiave esagonale
	Bevestiging vastdraaien		Zeskantsleutel
Serrez les fixations	Clé à tête hexagonale		
	Loosen Fastener		By Hand
	Aflojar elemento de fijación		A mano
	Befestigungsteil lösen		Von Hand
	Desapertar fixador		Com a mão
	Allentare il fissaggio		A mano
	Bevestiging losdraaien		Met de hand
Desserrez les fixations	À la main		

TOOLS REQUIRED FOR INSTALLATION



PARTS



ASSEMBLY AND INSTALLATION

Assemble Mounting Buttons to CPU Holder



WARNING: IMPROPER INSTALLATION CAN LEAD TO CPU ADAPTER FALLING! Mounting buttons must be securely fastened to device rack.

1. Install four mounting buttons (C) to CPU adapter (A) using four 10-24 x 1/2" flat head cap screws (D), and a 1/8" hex wrench (E). (See Figure 1)

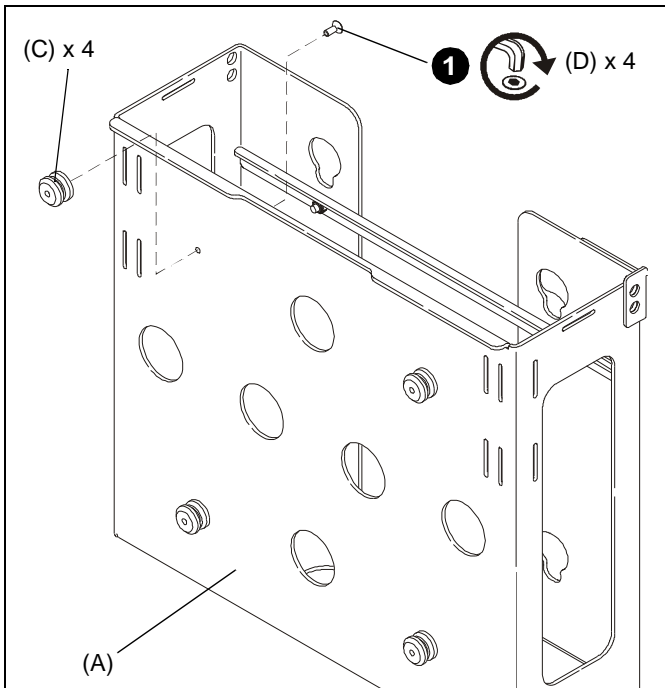


Figure 1

Assemble CPU to CPU Adapter

1. Place CPU into CPU adapter (A) making certain connections on CPU are oriented with cable access opening in sides of CPU adapter. (See Figure 2)

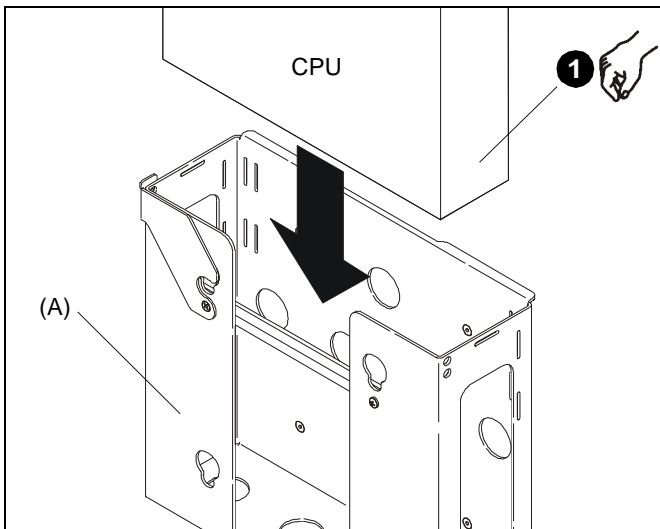


Figure 2

Assemble Mounting Strap to CPU Adapter

1. Install web strap (B) into CPU adapter, around CPU, and secure. (See Figure 3)

NOTE: Strap can also be installed so that it wraps around sides of CPU adapter.

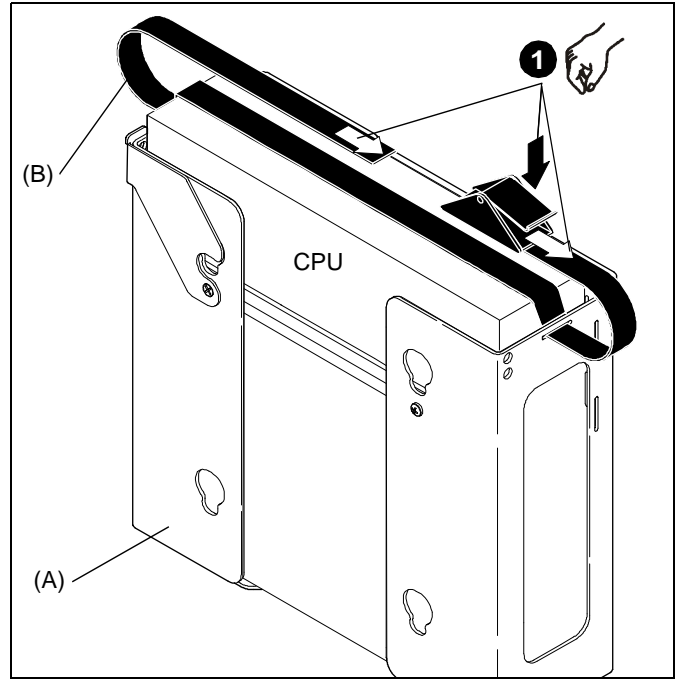


Figure 3

Install CPU Adapter with CPU to Mount



WARNING: COMBINED WEIGHT OF CPU AND CPU ADAPTER MAY WEIGH IN EXCESS OF 40 LBS. ALWAYS use two people when lifting and follow proper lifting techniques when installing!

1. While supporting both sides of CPU adapter, align four mounting buttons on CPU adapter with four mounting holes in faceplate of mount. (See Figure 4)

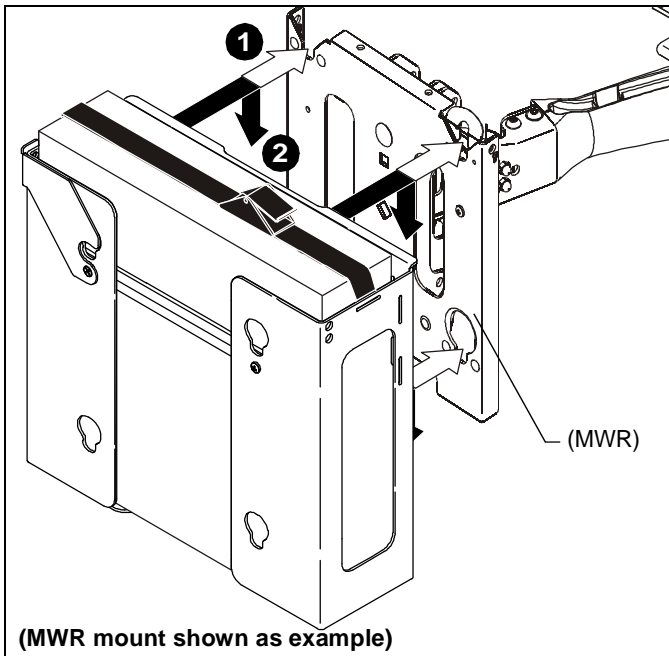


Figure 4

2. Lower CPU adapter into place listening for audible "click" to ensure recessed area of mounting buttons are properly seated in lower area of mounting holes and latching flag or "click lock" mechanism on mount has engaged. (See Figure 4)



WARNING: IMPROPER INSTALLATION CAN LEAD TO CPU ADAPTER FALLING! Make certain mounting buttons on CPU adapter are fully engaged in teardrop holes in mount and latching flag or "click lock" mechanism on mount is fully closed before installing the display to other side of CPU adapter.

3. Route wires and cables following the instructions provided with the mount.

Install Display



WARNING: DISPLAY MAY WEIGH IN EXCESS OF 40 LBS. ALWAYS use two people when lifting and follow proper lifting techniques when installing!

IMPORTANT ! : The following procedure assumes that the proper interface bracket for display has already been installed on display, if required. If no interface bracket is present on display, install bracket to display before proceeding, using instructions included with interface bracket.

1. Make sure latching flag on CPU adapter is in the UNLATCHED position (See Figure 5).

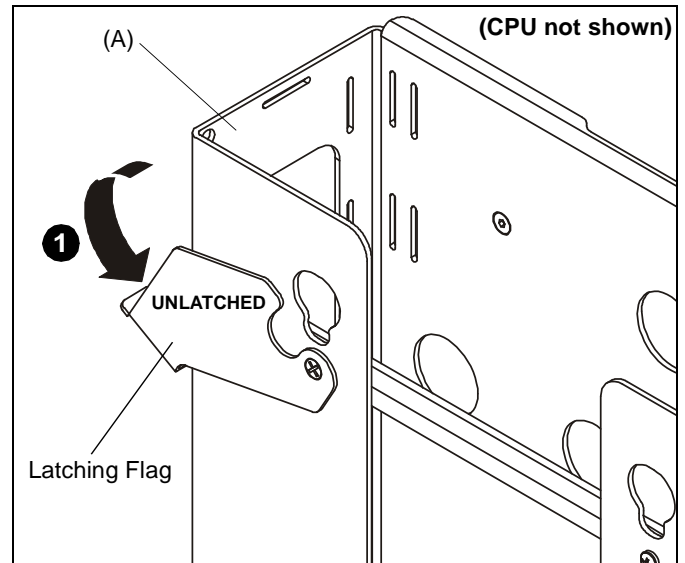


Figure 5

2. While supporting each side of display, align four mounting buttons on display or interface bracket with four teardrop slots in CPU adapter (See Figure 6).
3. Lower display firmly into place. (See Figure 6)

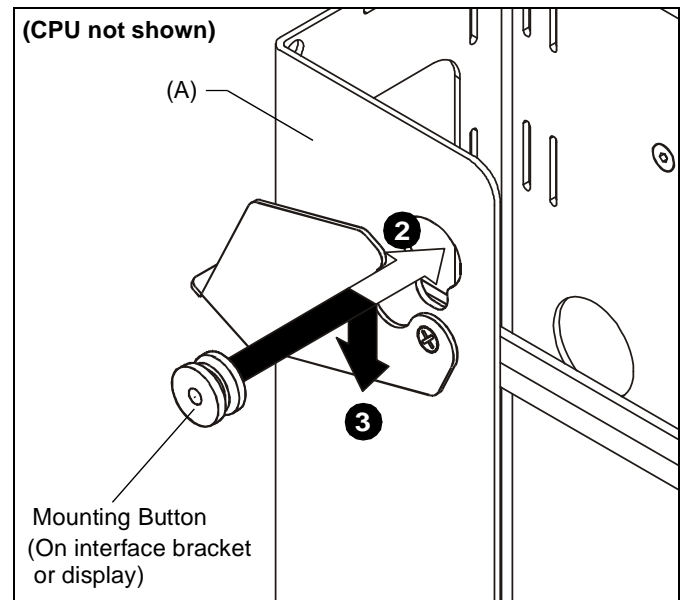


Figure 6



CAUTION: Latching flag must fully engage mounting button.

- Secure display by rotating latching flag to the LATCHED position. If latching flag does not fully engage, ensure mounting buttons are fully seated in teardrop slots. (See Figure 7)

NOTE: A hole is provided in the latching flag and CPU holder to accommodate insertion of a padlock or similar locking device.

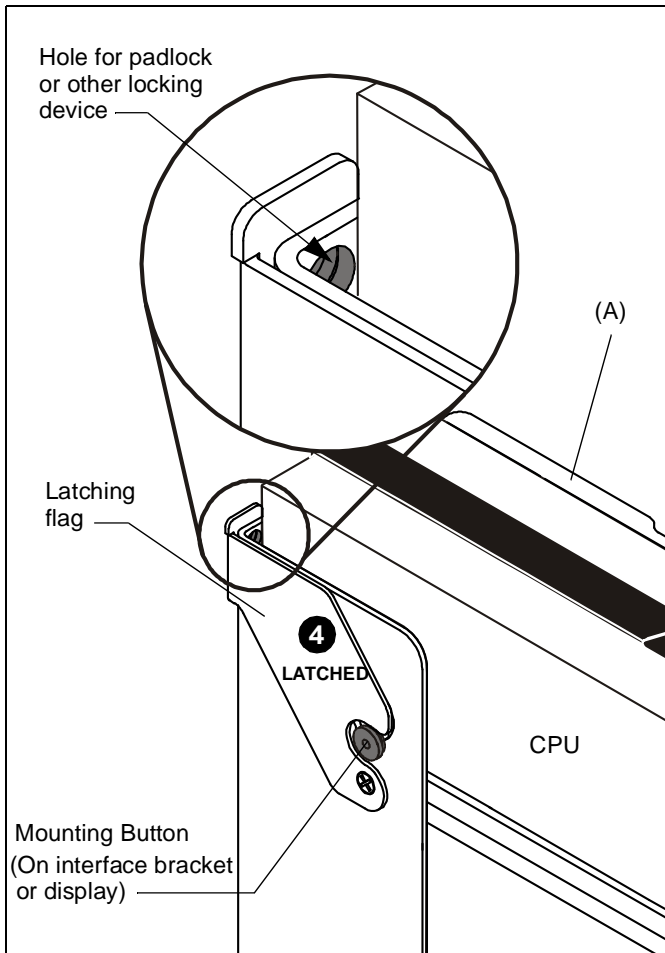


Figure 7

- Connect cables to display.



Our Mounts. **Your Vision.**

Chief Manufacturing, a products division
of Milestone AV Technologies

8804-000316 Rev01
©2010 Milestone AV Technologies, a
Duchossois Group Company
www.chiefmfg.com
11/10

USA/International

A 8401 Eagle Creek Parkway, Savage, MN 55378

P 800.582.6480 / 952.894.6280

F 877.894.6918 / 952.894.6918

Europe

A Fellenoord 130 5611 ZB EINDHOVEN, The Netherlands

P +31 (0)40 2668620

F +31 (0)40 2668615

Asia Pacific

A Office No. 1 on 12/F, Shatin Galleria
18-24 Shan Mei Street

Fotan, Shatin, Hong Kong

P 852 2145 4099

F 852 2145 4477

