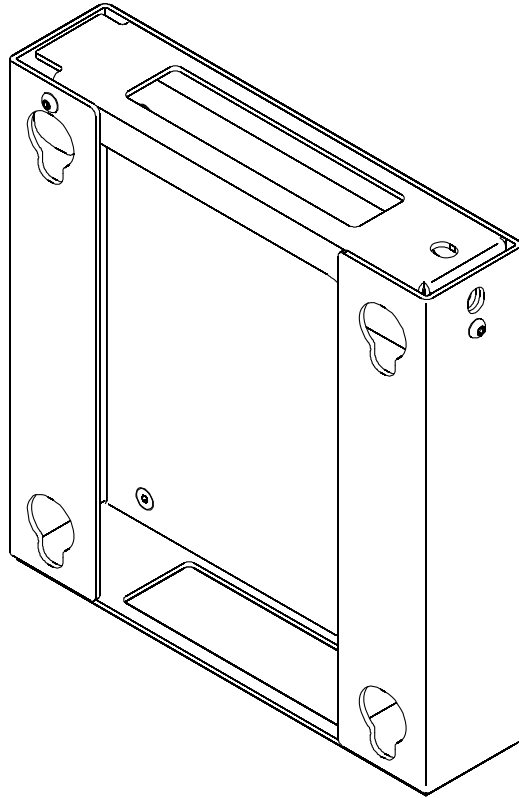


---

# INSTALLATION INSTRUCTIONS

---



---

**CPU Adapter**

---

**DISCLAIMER**

Milestone AV Technologies, and its affiliated corporations and subsidiaries (collectively, "Milestone"), intend to make this manual accurate and complete. However, Milestone makes no claim that the information contained herein covers all details, conditions or variations, nor does it provide for every possible contingency in connection with the installation or use of this product. The information contained in this document is subject to change without notice or obligation of any kind. Milestone makes no representation of warranty, expressed or implied, regarding the information contained herein. Milestone assumes no responsibility for accuracy, completeness or sufficiency of the information contained in this document.

Chief® is a registered trademark of Milestone AV Technologies. All rights reserved.



**WARNING:** Failure to read, thoroughly understand, and follow all instructions can result in serious personal injury, damage to equipment, or voiding of factory warranty! It is the installer's responsibility to make sure all components are properly assembled and installed using the instructions provided.



**WARNING:** Failure to provide adequate structural strength for this component can result in serious personal injury or damage to equipment! It is the installer's responsibility to make sure the structure to which this component is attached can support five times the combined weight of all equipment. Reinforce the structure as required before installing the component.



**WARNING:** Exceeding weight capacity can result in serious personal injury or damage to equipment! It is the installer's responsibility to make sure the combined weight of all components does not exceed the maximum allowable weight of the mount to which this accessory is being installed.



**IMPORTANT WARNINGS AND CAUTIONS!**

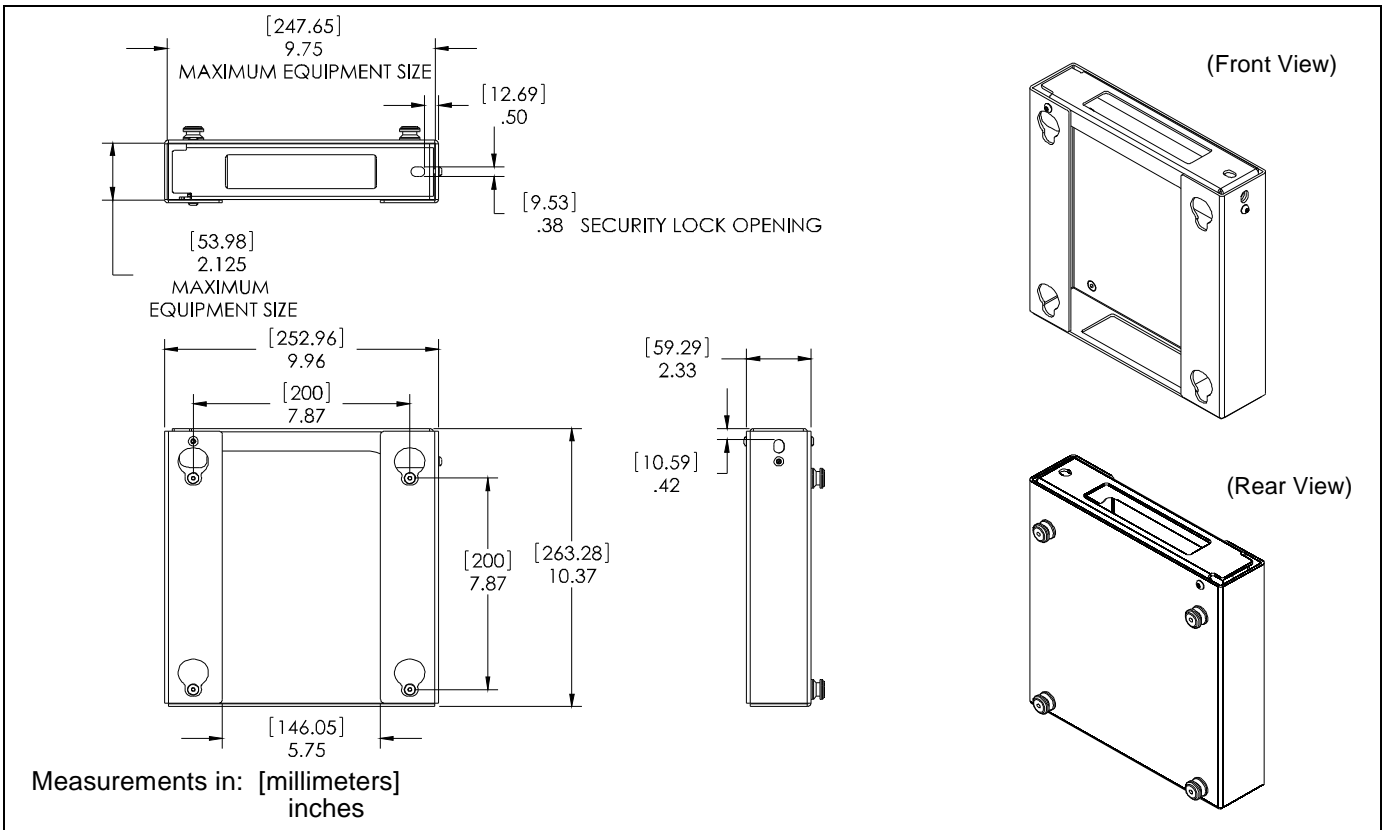


**WARNING:** A WARNING alerts you to the possibility of serious injury or death if you do not follow the instructions.

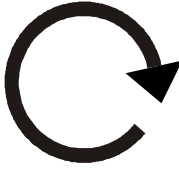



**CAUTION:** A CAUTION alerts you to the possibility of damage or destruction of equipment if you do not follow the corresponding instructions.

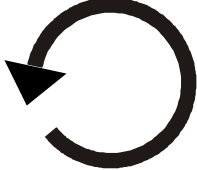
**DIMENSIONS**




**LEGEND**

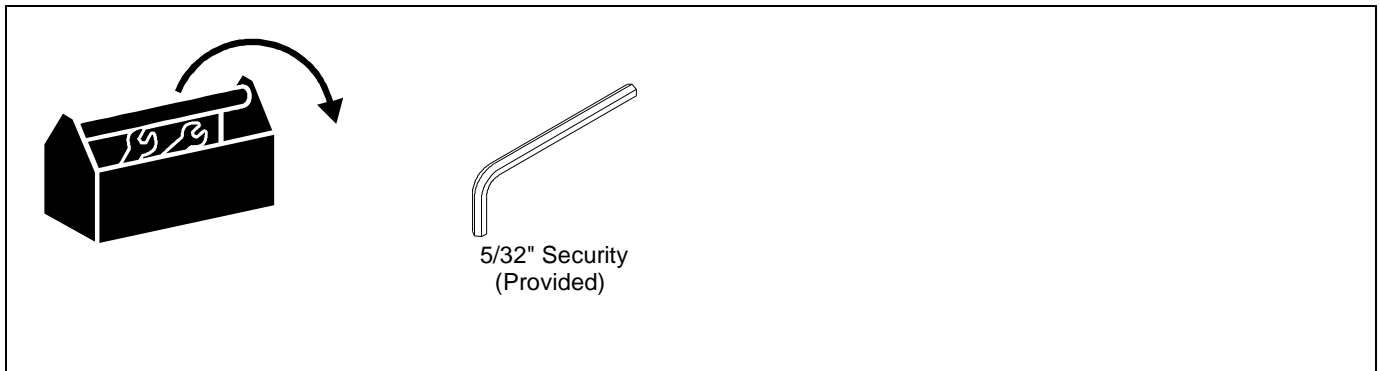
	<b>Tighten Fastener</b>
	Apretar elemento de fijación
	Befestigungsteil festziehen
	Apertar fixador
	Serrare il fissaggio
	Bevestiging vastdraaien
Serrez les fixations	

	<b>Security Wrench</b>
	Llave de seguridad
	Sicherheitsschlüssel
	Chave de segurança
	Chiave di sicurezza
	Veiligheidssleutel
Clé de sécurité	

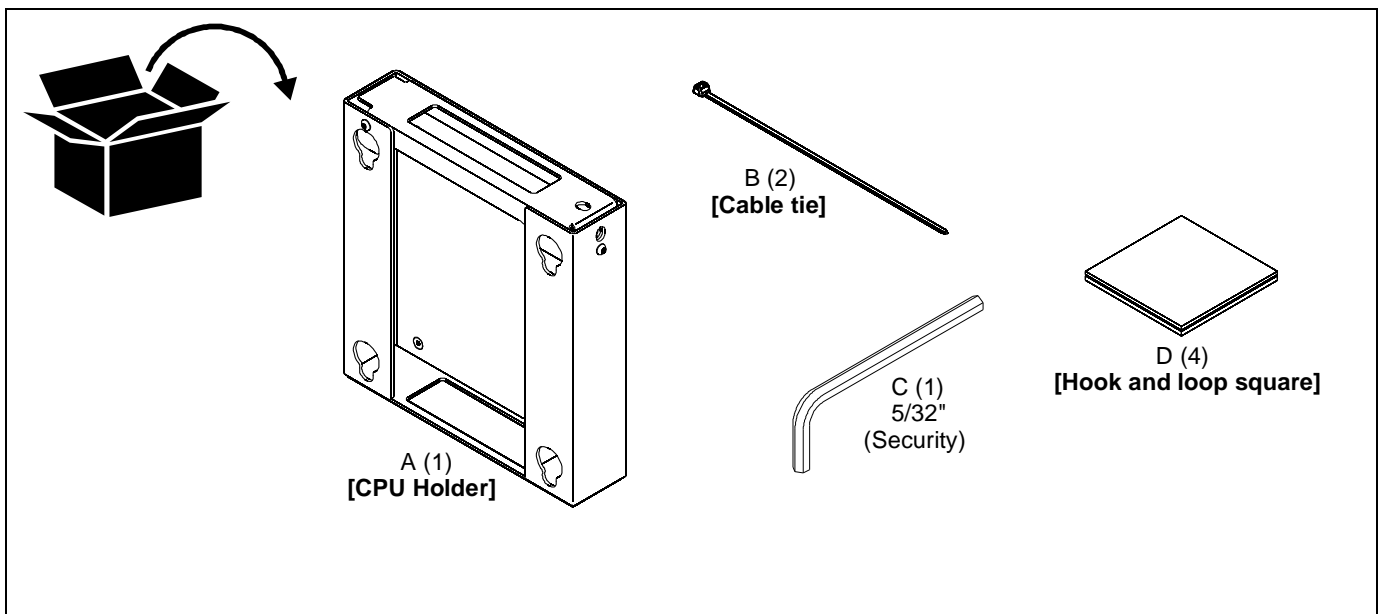
	<b>Loosen Fastener</b>
	Aflojar elemento de fijación
	Befestigungsteil lösen
	Desapertar fixador
	Allentare il fissaggio
	Bevestiging losdraaien
Desserrez les fixations	

	<b>By Hand</b>
	A mano
	Von Hand
	Com a mão
	A mano
	Met de hand
À la main	

**TOOLS REQUIRED FOR INSTALLATION**

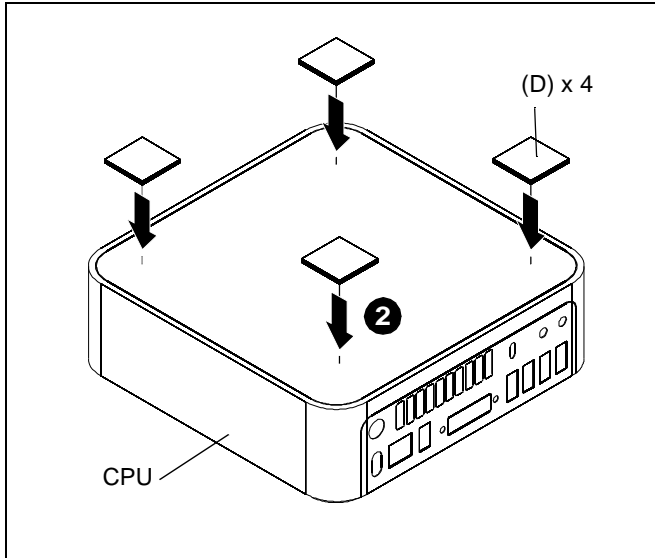


**PARTS**



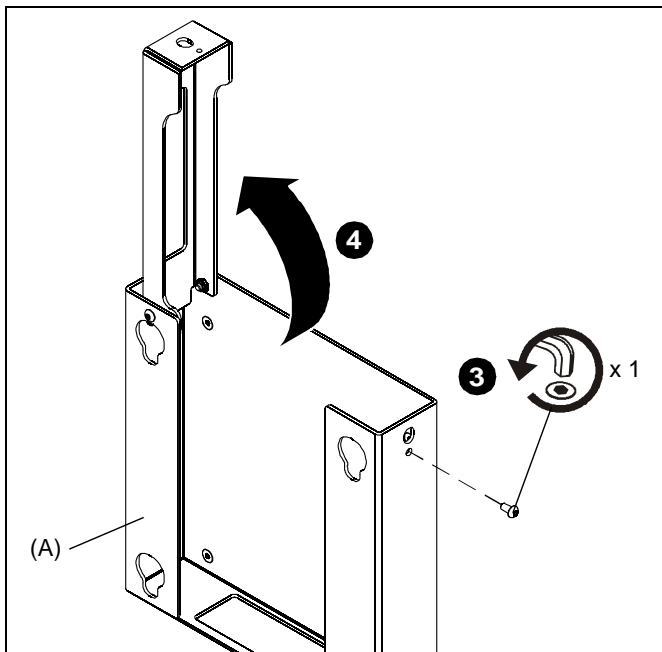
**ASSEMBLY**

1. Remove paper from adhesive back of four hook and loop squares (D).
2. Attach four squares of hook and loop (D) to CPU side. (See Figure 1)



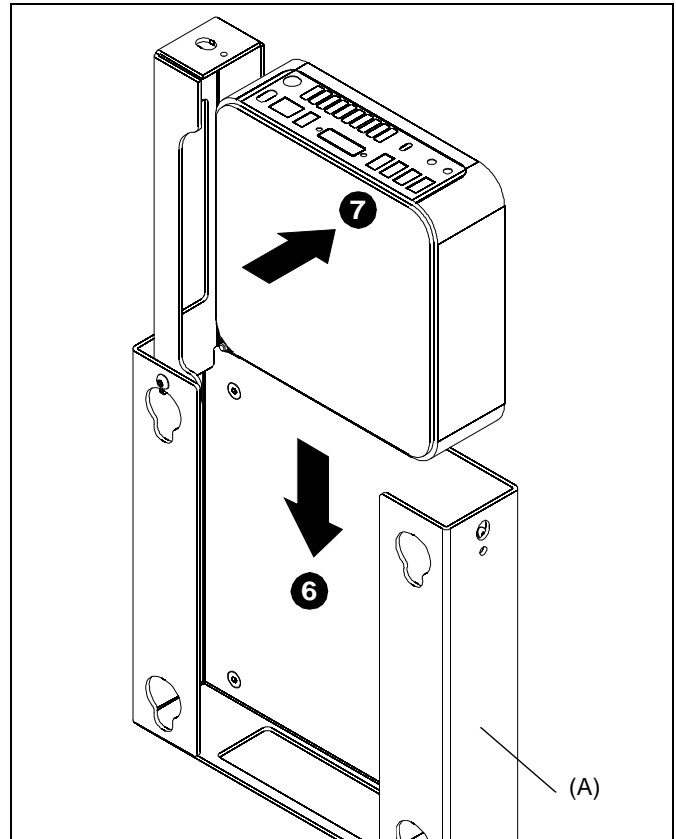
**Figure 1**

3. Remove and save cover locking screw from CPU holder (A) using 5/32" security hex wrench (C). (See Figure 2)
4. Open CPU holder cover. (See Figure 2)



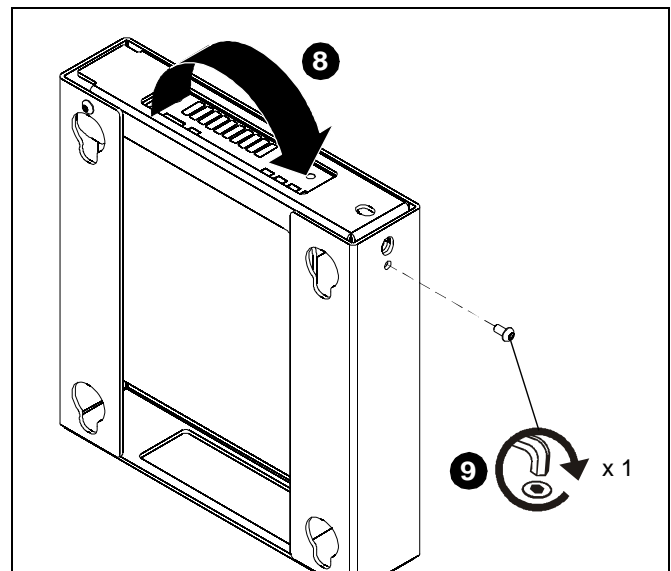
**Figure 2**

5. Remove paper from adhesive on four hook and loop squares already attached to the CPU.
6. Slide CPU into CPU holder (A). (See Figure 3)



**Figure 3**

7. Press CPU side with hook and loop squares against back inside surface of CPU holder (A). (See Figure 3)
8. Close cover of CPU holder. (See Figure 4)
9. Secure CPU holder cover with button head security screw (removed in Step 3) using 5/32" security hex wrench (C). (See Figure 4)



**Figure 4**

10. Install optional padlock, if desired. (See Figure 5)

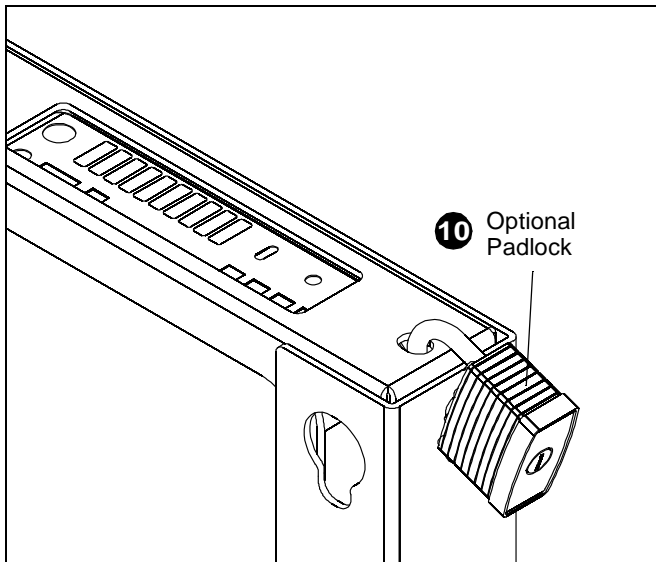


Figure 5

## INSTALLATION

### Install CPU Holder with CPU to Mount



**WARNING:** COMBINED WEIGHT OF CPU AND CPU HOLDER MAY WEIGH IN EXCESS OF 40 LBS. ALWAYS use two people when lifting and follow proper lifting techniques when installing!

1. Install the CPU holder, with CPU, onto mount and route wires and cables following the instructions provided with the mount.



**WARNING:** IMPROPER INSTALLATION CAN LEAD TO CPU HOLDER FALLING! Make certain mounting buttons on CPU holder are fully engaged in teardrop holes in mount and latching flag on mount is fully closed before installing the display.

### Install Display



**WARNING:** DISPLAY MAY WEIGH IN EXCESS OF 40 LBS. ALWAYS use two people when lifting and follow proper lifting techniques when installing!

**IMPORTANT ! :** The following procedure assumes that the proper interface bracket for display being mounted has already been installed on display. If no interface bracket is present on display, install bracket to display using instructions included with interface bracket before proceeding.

1. While supporting each side of display, align four mounting buttons on display or interface bracket with four teardrop slots in CPU holder (See Figure 6).
2. Lower display firmly into place.

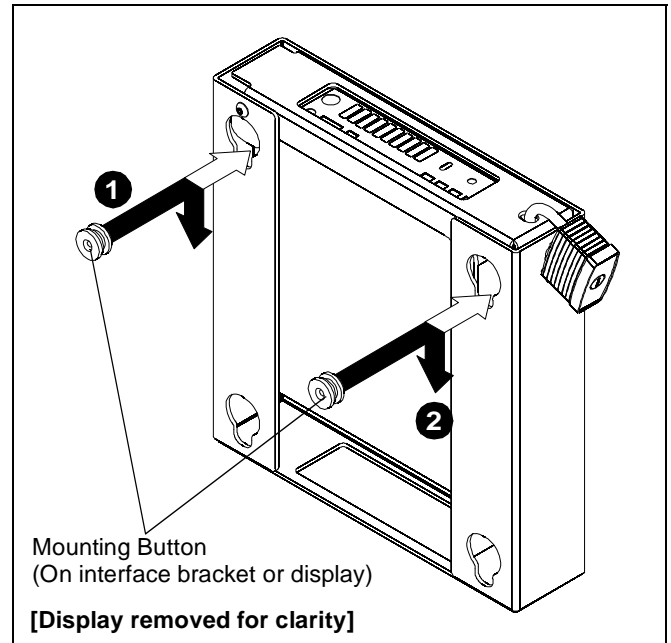


Figure 6

3. Ensure mounting buttons are fully seated in teardrop slots.
4. Connect cables to display.







Our Mounts. **Your Vision.**

Chief Manufacturing, a products division  
of Milestone AV Technologies

8814-000007 Rev01  
©2009 Milestone AV Technologies, a  
Duchossois Group Company  
[www.chiefmfg.com](http://www.chiefmfg.com)  
02/09

**USA/International** A 8401 Eagle Creek Parkway, Savage, MN 55378  
P 800.582.6480 / 952.894.6280  
F 877.894.6918 / 952.894.6918

**Europe** A Fellenoord 130 5611 ZB EINDHOVEN, The Netherlands  
P +31 (0)40 2668620  
F +31 (0)40 2668615

**Asia Pacific** A Room 24F, Block D, Lily YinDu International Building  
LuoGang, BuJi Town, Shenzhen, CHINA.  
深圳市布吉罗岗村百合银都国际大厦D栋24F  
P +86-755-8996 9226  
F +86-755-8996 9217

